

||| carisa®  
designer radiators



2021

# INDEX

PRODUCT	MATERIAL	PRODUCT PAGE	TECHNICAL PAGE	PRODUCT	MATERIAL	PRODUCT PAGE	TECHNICAL PAGE
---------	----------	--------------	----------------	---------	----------	--------------	----------------

## DESIGNER RADIATORS

BURANO	Aluminium	49	183
BURANO C	Aluminium	50	183
BURANO S	Aluminium	51	184
CURVY	Aluminium	52-53	184
DUNE	Aluminium	43	180
ELITE	Aluminium	25	172
ELLIPTIC	Aluminium	22	171
ELVINO	Aluminium	34-35	176
ELVINO FLOOR	Aluminium	35	177
FORCE	Aluminium	44	181
GAIA	Aluminium	30	175
KARO	Aluminium	07	163
MACK	Aluminium	23	171
MAGICO	Aluminium	46-47	182
MONZA	Aluminium	14-15	168
MONZA DOUBLE	Aluminium	18	169
MONZA DOUBLE XL	Aluminium	19	169
MOSCOW	Aluminium	41	179
MOSCOW C	Aluminium	39	178
MOSCOW D	Aluminium	40	179
MOTION	Aluminium	38	178
NEMO	Aluminium	16-17	168
NEMO DOUBLE	Aluminium	20	170
NEMO DOUBLE XL	Aluminium	21	170
NIXIE	Aluminium	28	174
OTTO	Aluminium	29	174
PIPETTE	Aluminium	48	182
PLAY	Aluminium	24	172
QUADRO	Aluminium	04	162
RHOMBUS	Aluminium	05	162
SKULLY	Aluminium	36-37	177
SLIM	Aluminium	42	180
SOPHIA	Aluminium	12	166
SOPHIA MIRROR	Aluminium	12	167
SOPHIA XL	Aluminium	13	167
SPADA	Aluminium	45	181
STEP	Aluminium	26-27	173
STEP MIRROR	Aluminium	26	173
TALLIS	Aluminium	10-11	165
TALLIS DOUBLE	Aluminium	08-09	164
TALLIS DOUBLE XL	Aluminium	09	164
TALLIS MIRROR	Aluminium	10	165
TALLIS XL	Aluminium	11	166
TUBO	Aluminium	06	163
VESTA	Aluminium	31	175
WAVE	Aluminium	32-33	176

## BATHROOM & KITCHEN RADIATORS

AJAX I-II	Aluminium	67	191
ALYA BATH	Aluminium	73	194
BARON	Aluminium	66	190
CURVY BATH	Aluminium	70	192
ELLIPTIC BATH	Aluminium	59	187
ELVINO BATH	Aluminium	56	185
ELVINO BATH MIRROR	Aluminium	57	186
FAME	Aluminium	60	187
FAME HORIZONTAL	Aluminium	61	188
FRAME	Aluminium	62	188
JACOBS F	Aluminium	54	185
JACOBS W	Aluminium	55	185
LARA	Aluminium	69	192
MACK BATH	Aluminium	74	194
MACK BATH HORIZONTAL	Aluminium	75	195
MAYA	Aluminium	63	189
NINOVA BATH	Aluminium	72	193
NIXIE BATH	Aluminium	58	186
PAPILLION BATH	Aluminium	71	193
SOHO	Aluminium	68	191
TERRA	Aluminium	65	190
UNICO	Aluminium	64	189

## ELECTRIC ONLY RADIATORS

NOTUS V	Aluminium	81	197
NOTUS VS	Aluminium	80	197
NOTUS Z	Aluminium	78	196
NOTUS ZS	Aluminium	79	196
OTTO SINGLE	Aluminium	76	195
VESTA SINGLE	Aluminium	76	196
FORTIS	Stainless Steel	77	197
GRATUS	Stainless Steel	77	197

## DESIGNER RADIATORS

ADAGIO	Stainless Steel	82	198
FORTE	Stainless Steel	86	200
FUTURA	Stainless Steel	87	200
KEOPS	Stainless Steel	93	203
LINK	Stainless Steel	95	204
LINK FLOOR	Stainless Steel	94	204
MISTRAL	Stainless Steel	90	202
MISTRAL F	Stainless Steel	91	202
ORIS	Stainless Steel	97	205

PRODUCT	MATERIAL	PRODUCT PAGE	TECHNICAL PAGE	PRODUCT	MATERIAL	PRODUCT PAGE	TECHNICAL PAGE
PIANO	Stainless Steel	92	203				
SARP	Stainless Steel	89	201				
SQUA	Stainless Steel	96	205				
STRIPE	Stainless Steel	88	201				
TRIA	Stainless Steel	84	199				
UNIQUE	Stainless Steel	83	198				
VERSAILLES	Stainless Steel	85	199				

## BATHROOM & KITCHEN RADIATORS

ADORE	Stainless Steel	115	215
ALIAS	Stainless Steel	114	215
AREN	Stainless Steel	99	206
ARLEN	Stainless Steel	113	214
BARO	Stainless Steel	102	209
BECK	Stainless Steel	127	221
CASTOR	Stainless Steel	129	222
CLASH	Stainless Steel	107	211
CRUX	Stainless Steel	121	218
DOMINO	Stainless Steel	106	211
ECLIPSE	Stainless Steel	112	214
ELDORADO	Stainless Steel	125	220
EXODUS	Stainless Steel	130	223
FLAP	Stainless Steel	126	221
HALO	Stainless Steel	108	212
HERRING	Stainless Steel	124	220
IBIZA	Stainless Steel	117	216
IVOR	Stainless Steel	105	210
JACK	Stainless Steel	111	213
JAZZ	Stainless Steel	118	217
KLIPS	Stainless Steel	131	223
KNIGHT	Stainless Steel	110	213
LEPUS	Stainless Steel	100	208
MIYA	Stainless Steel	119	217
PAN	Stainless Steel	103	209
PAROS	Stainless Steel	98	206
REDOX	Stainless Steel	100	207
RONI	Stainless Steel	120	218
RUMA	Stainless Steel	131	224
SNOWFLAKE	Stainless Steel	116	216
SOFTY	Stainless Steel	109	212
SWING	Stainless Steel	100	207
TALENT	Stainless Steel	101	208
TODOR	Stainless Steel	128	222
VIVI	Stainless Steel	104	210
WOODSTOCK	Stainless Steel	123	219
ZIGZAG	Stainless Steel	122	219

## DESIGNER RADIATORS

COVENTRY	Flat Mild Steel	144-145	229
CROYDON	Flat Mild Steel	134-135	225
DUBLIN	Flat Mild Steel	132-133	224
GLASGOW	Flat Mild Steel	136	225
HAMLETS	Flat Mild Steel	141	228
LYMM	Flat Mild Steel	138	226
MANCHESTER	Flat Mild Steel	139	227
PLYMOUTH	Flat Mild Steel	137	226
REX	Flat Mild Steel	143	229
ROCHESTER	Flat Mild Steel	140	227
STIRLING	Flat Mild Steel	142	228

## DESIGNER RADIATORS

ALDO	Mild Steel	155	235
DORA	Mild Steel	148	231
EDINBURGH	Mild Steel	151	234
EDWARD	Mild Steel	150	232
ETAGE	Mild Steel	153	234
FLORIS	Mild Steel	152	234
MAYRA	Mild Steel	147	230
NILE	Mild Steel	154	235
OXFORD	Mild Steel	150	233
PLATA SINGLE	Mild Steel	156	236
PLATA XL SINGLE	Mild Steel	156	237
PLATA DOUBLE	Mild Steel	157	236
PLATA XL DOUBLE	Mild Steel	157	237
VICTORIA	Mild Steel	149	231
VINTAGE	Mild Steel	151	233
WARWICK	Mild Steel	149	232
ZARA	Mild Steel	146	230

## FANCOILS & CONVECTORS

SR FANCOIL	Mild Steel	159	238
SQ FANCOIL	Mild Steel	158	238
VIKING	Mild Steel	160	239

## ACCESSORIES

ELECTRICAL ELEMENTS		242	242
TOWEL HOLDERS		240-241	242
TOWEL KNOB		242	242
VALVES		242	242





# Aluminium Designer Radiators

## Bathroom & Kitchen Radiators

Pages  
04 - 81

4	-	QUADRO	28	-	NIXIE	56	-	ELVINO BATH
5	-	RHOMBUS	29	-	OTTO	57	-	ELVINO BATH MIRROR
6	-	TUBO	30	-	GAIA	58	-	NIXIE BATH
7	-	KARO	31	-	VESTA	59	-	ELLIPTIC BATH
8	-	TALLIS DOUBLE	32-33	-	WAVE	60	-	FAME
9	-	TALLIS DOUBLE XL	34	-	ELVINO	61	-	FAME HORIZONTAL
10	-	TALLIS	35	-	ELVINO FLOOR	62	-	FRAME
10	-	TALLIS MIRROR	36-37	-	SKULLY	63	-	MAYA
11	-	TALLIS XL	38	-	MOTION	64	-	UNICO
12	-	SOPHIA	39	-	MOSCOW C	65	-	TERRA
12	-	SOPHIA MIRROR	40	-	MOSCOW D	66	-	BARON
13	-	SOPHIA XL	41	-	MOSCOW	67	-	AJAX I-II
14-15	-	MONZA	42	-	SLIM	68	-	SOHO
16-17	-	NEMO	43	-	DUNE	69	-	LARA
18	-	MONZA DOUBLE	44	-	FORCE	70	-	CURVY BATH
19	-	MONZA DOUBLE XL	45	-	SPADA	71	-	PAPILLION BATH
20	-	NEMO DOUBLE	46-47	-	MAGICO	72	-	NINOVA BATH
21	-	NEMO DOUBLE XL	48	-	PIPETTE	73	-	ALYA BATH
22	-	ELLIPTIC	49	-	BURANO	74	-	MACK BATH
23	-	MACK	50	-	BURANO C	75	-	MACK BATH HORIZONTAL
24	-	PLAY	51	-	BURANO S	76	-	OTTO SINGLE
25	-	ELITE	52-53	-	CURVY	76	-	VESTA SINGLE
26-27	-	STEP	54	-	JACOBS F	78-79	-	NOTUS Z-ZS
26	-	STEP MIRROR	55	-	JACOBS W	80-81	-	NOTUS VS-V

QUADRO



TUBO



163



KARO 163





TALLIS  
DOUBLE

164



TALLIS  
DOUBLE XL



The Tallis range of Aluminium radiators features single, double, vertical and horizontal options. There is also a stunning mirror version to complete the range.

TALLIS



165

TALLIS  
MIRROR

165





## TALLIS<sub>XL</sub>



Tallis is available in a variety of options: single or double profiles for greater warmth and horizontal or vertical to maximise space. You can even choose your colour too!



SOPHIA



167

SOPHIA  
MIRROR

166

# SOPHIA XL



Sophia is wide range of Vertical, horizontal and mirror products designed to perform! Simple to install. Add beautiful warmth to your home.

MONZA



168



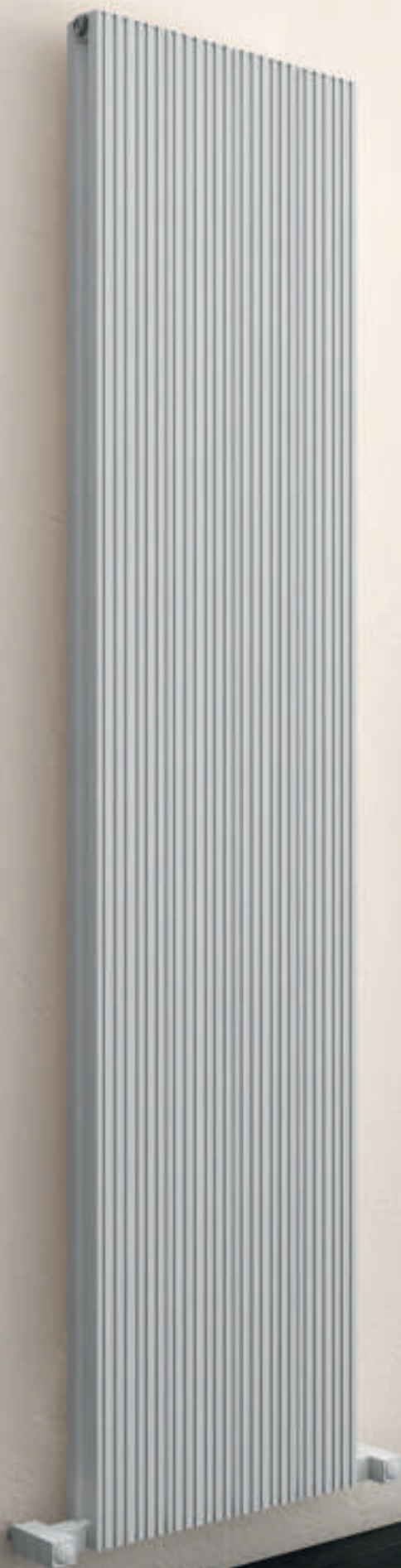


NEMO





# MONZA DOUBLE







MONZA  
DOUBLE XL

169



# NEMO DOUBLE



# NEMO DOUBLE XL





ELLIPTIC





MACK

PLAY

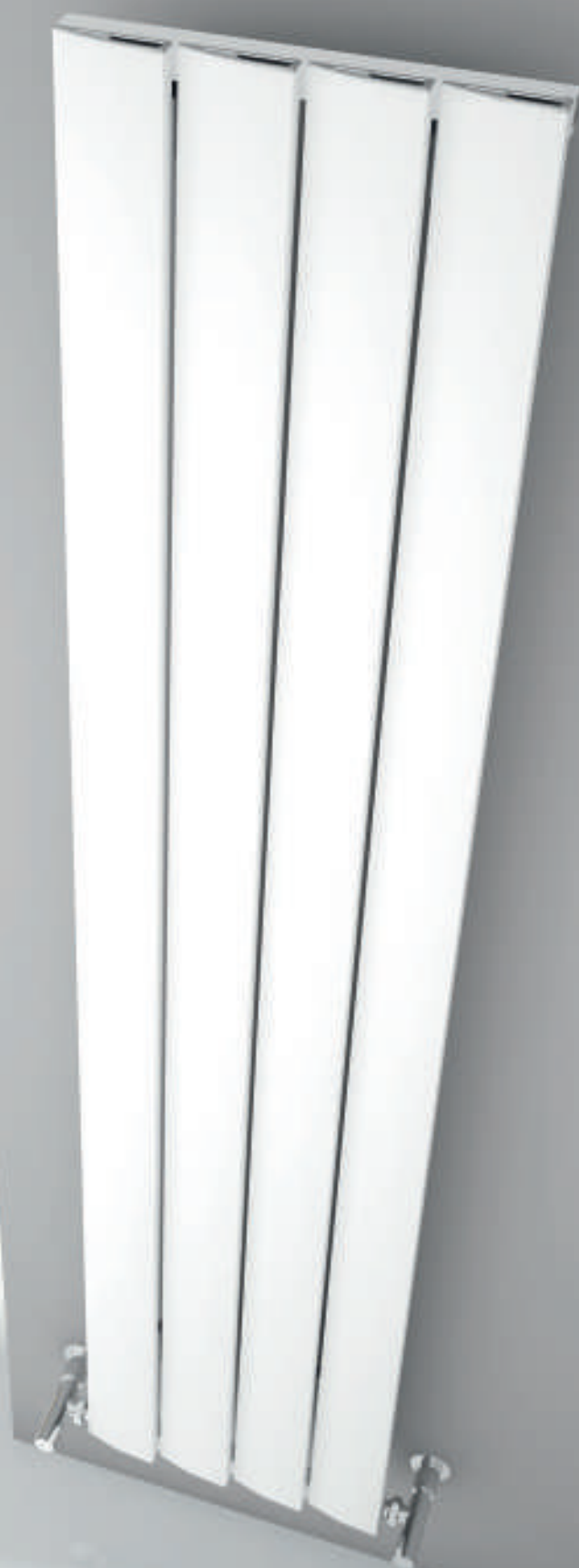
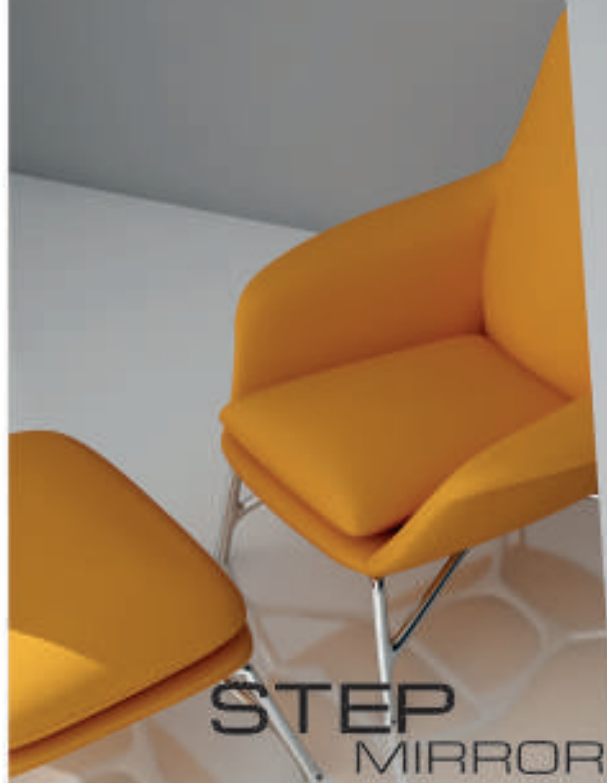


ELITE





STEP



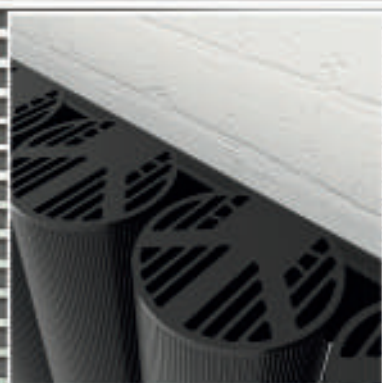
STEP



NIXIE







Special connection available.  
Please ask for details

OTTO

174



175

GAIA





VESTA





WAVE







176

34



ELVINO





## ELVINO FLOOR



Elvino and Elvino floor are highly efficient extremely powerful radiators. Essential when warming the largest of rooms. Irresistible beauty and intricate design. At a price you'll warm too.

# SKULLY



NEW

177





# MOTION



# MOSCOW C



NEW

178



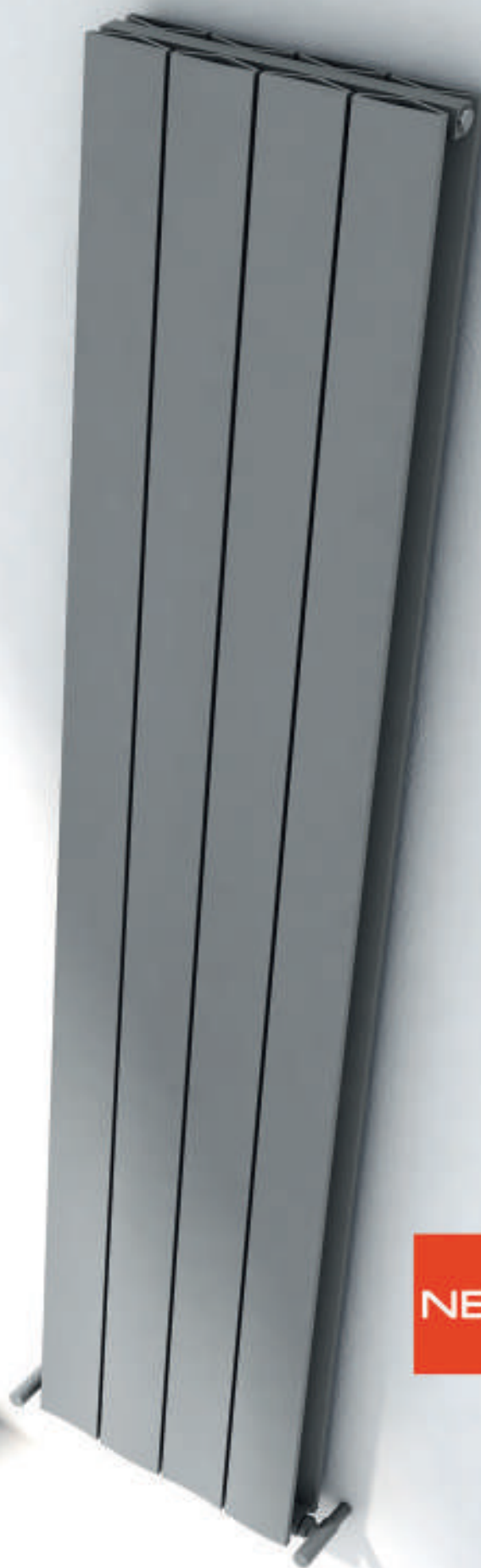
MOSCOW D



NEW

179

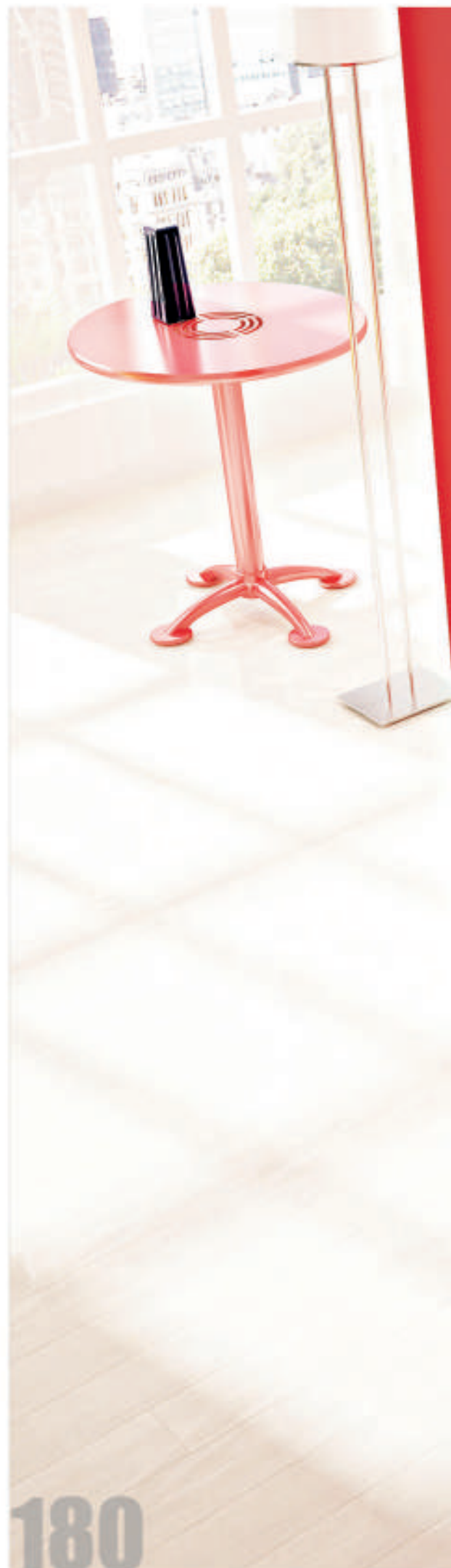




NEW

MOSCOW

179



180

SLIM



DUNE





181

FORCE



SPADA

NEW



182



MAGICO

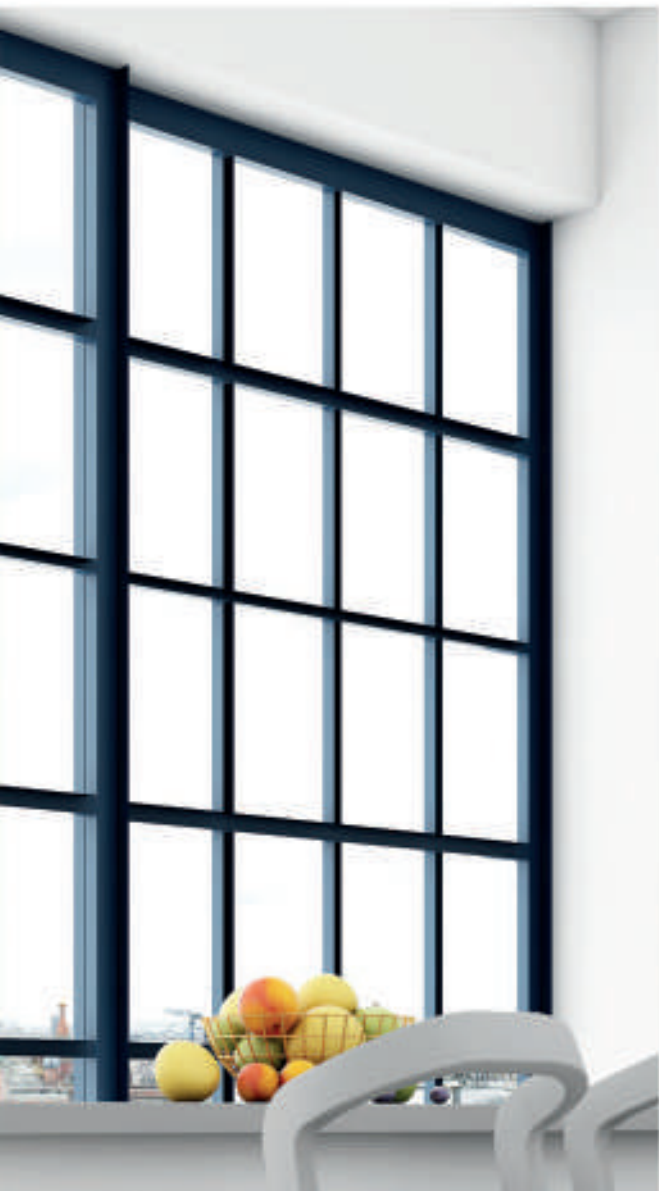


NEW

# PIPETTE



182



BURANO

NEW

183



# BURANO C

NEW

183

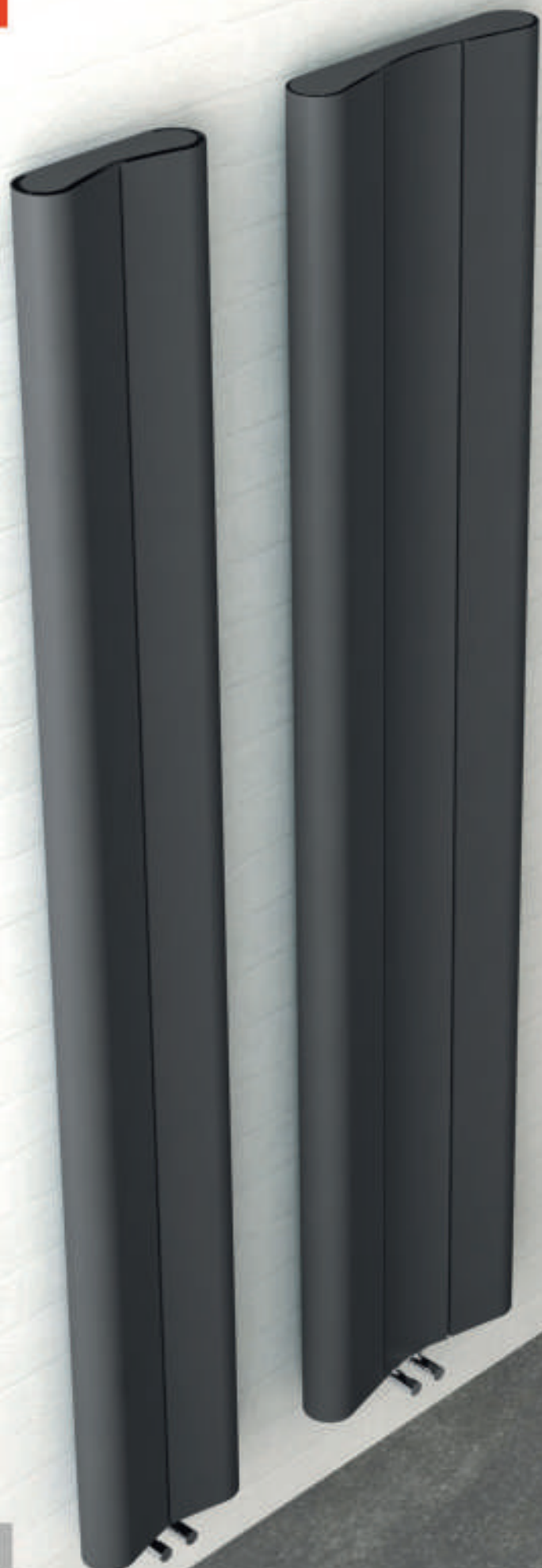


NEW

BURANO S

184

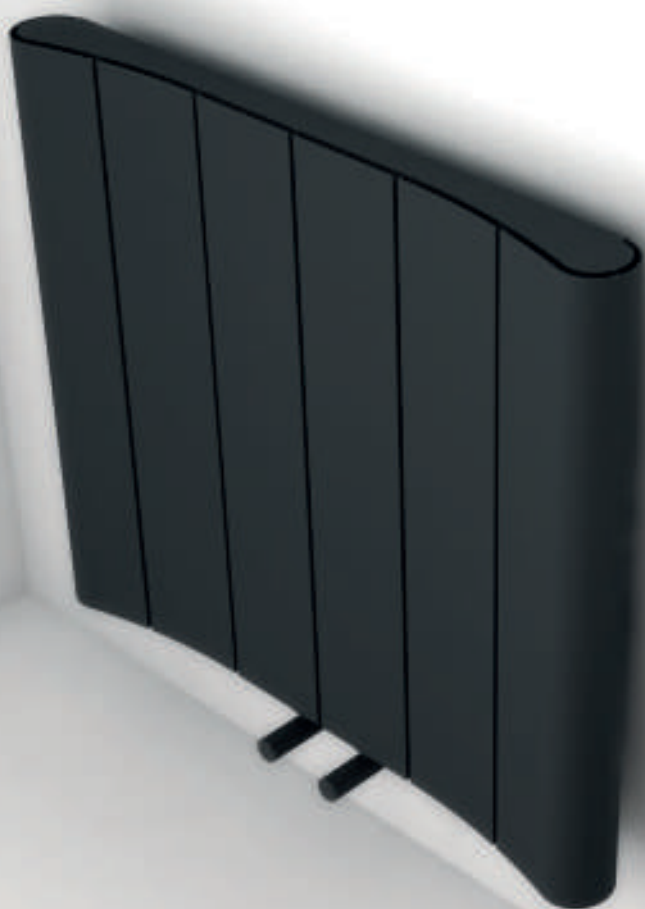
NEW



184



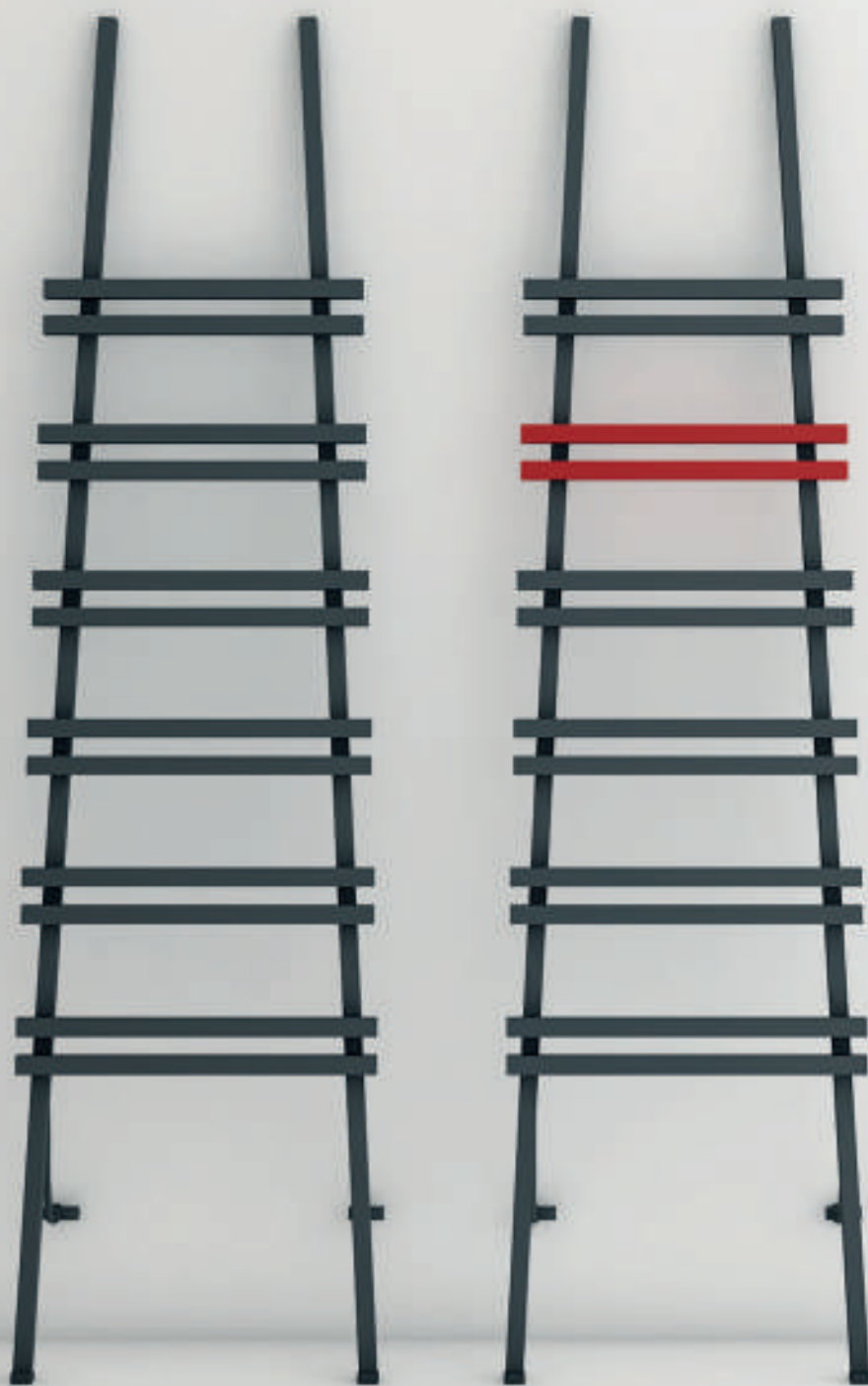
# CURVY



NEW

184

# JACOBS F



NEW

185

# JACOBS W



NEW

185



# ELVINO BATH





ELVINO  
BATH MIRROR

# NIXIE BATH



186



# ELLIPTIC BATH



# FAME





FAME  
HORIZONTAL

188



# FRAME



NEW

188

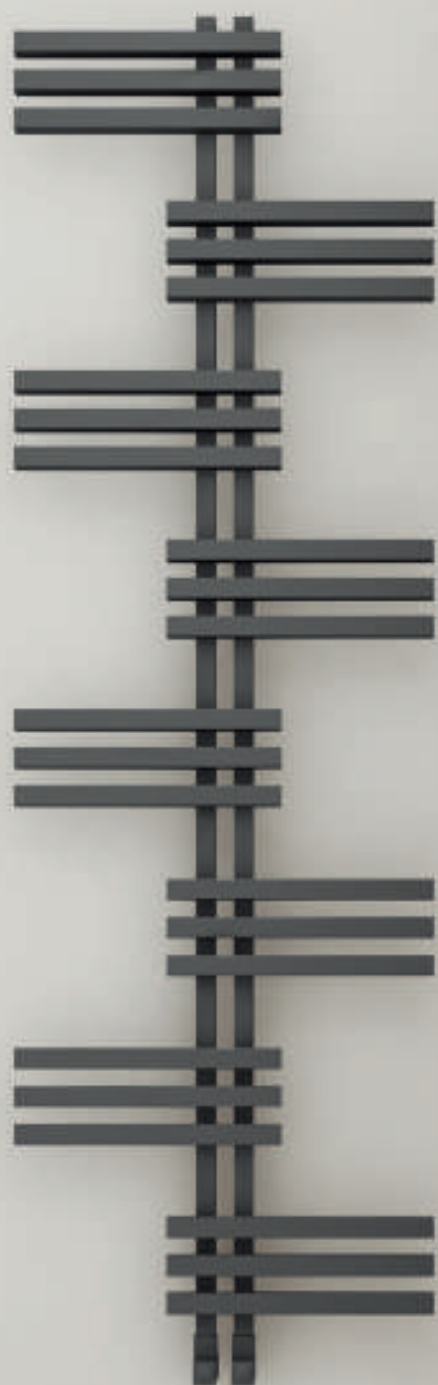


NEW

MAYA

UNICO

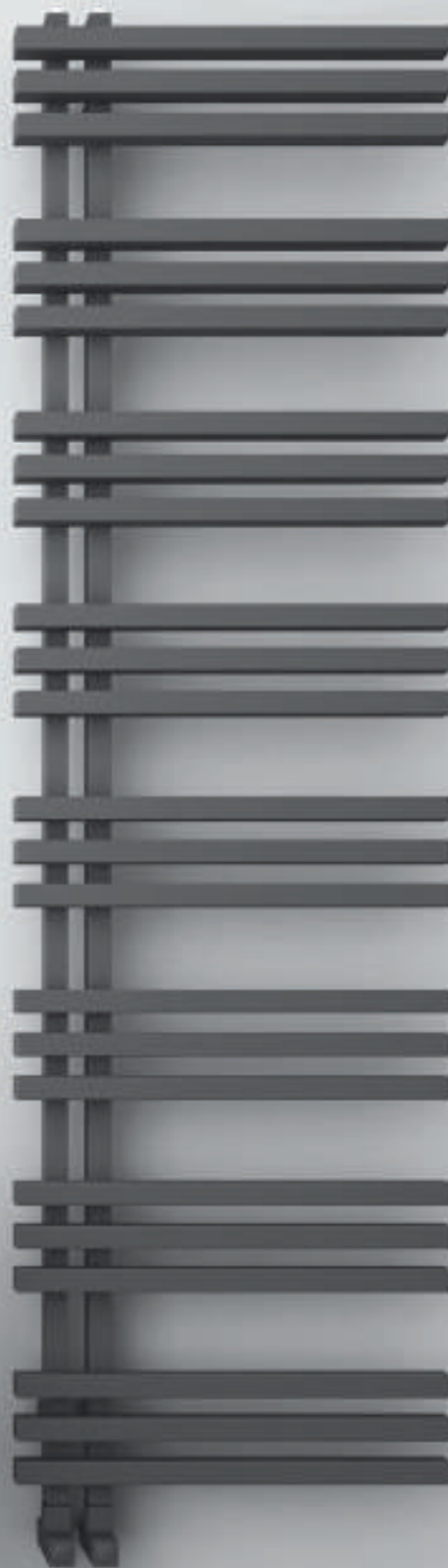
NEW



189



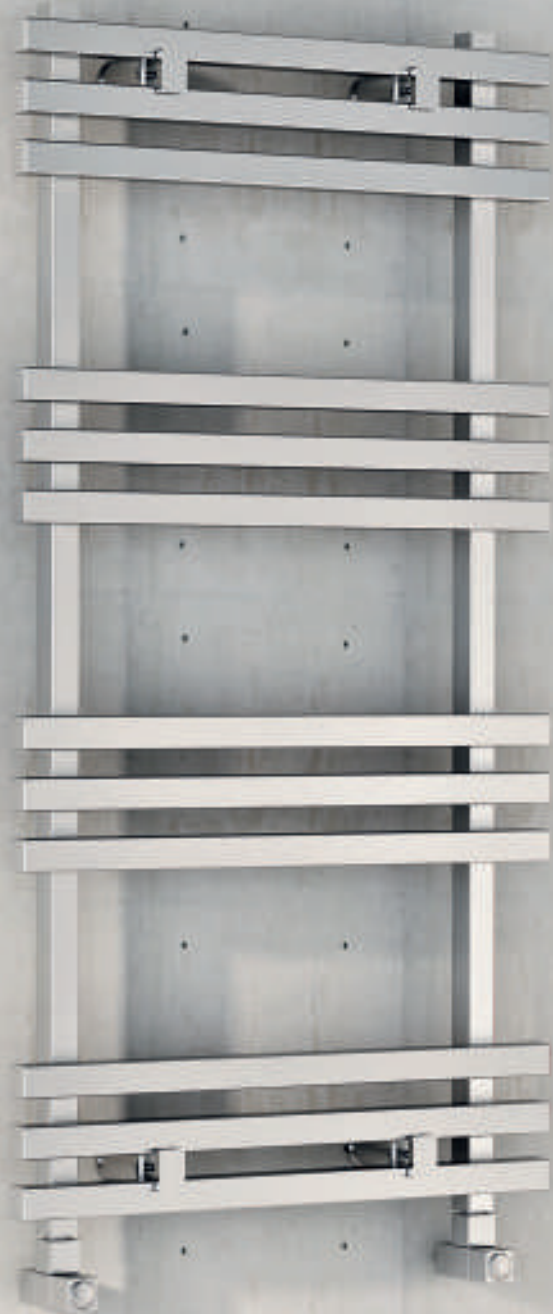
TERRA



NEW

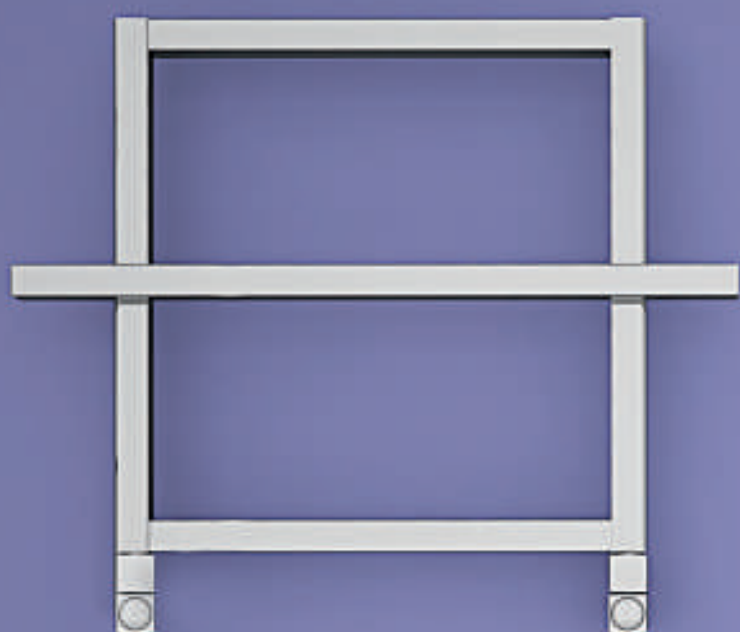
190

BARON



190

# AJAX I



# AJAX II







191

SOHO

LARA



NEW

192

# CURVY BATH



NEW

192



# PAPILLION BATH



**NEW**

# NINOVA BATH



NEW

193

# ALYA BATH



**NEW**

**194**

# MACK BATH



NEW

194



NEW



**MACK BATH**  
HORIZONTAL

**195**





# Stainless Steel Designer Radiators

## Bathroom & Kitchen Radiators

Pages

82 - 131

82	-	ADAGIO	100	-	REDOX	116	-	SNOWFLAKE
83	-	UNIQUE	100	-	LEPUS	117	-	IBIZA
84	-	TRIA	100	-	SWING	118	-	JAZZ
85	-	VERSAILLES	101	-	TALENT	119	-	MIYA
86	-	FORTE	102	-	BARO	120	-	RONI
87	-	FUTURA	103	-	PAN	121	-	CRUX
88	-	STRIPE	104	-	VIVI	122	-	ZIGZAG
89	-	SARP	105	-	IVOR	123	-	WOODSTOCK
90	-	MISTRAL	106	-	DOMINO	124	-	HERRING
91	-	MISTRAL F	107	-	CLASH	125	-	ELDORADO
92	-	PIANO	108	-	HALO	126	-	FLAP
93	-	KEOPS	109	-	SOFTY	127	-	BECK
94	-	LINK FLOOR	110	-	KNIGHT	128	-	TODOR
95	-	LINK	111	-	JACK	129	-	CASTOR
96	-	SQUA	112	-	ECLIPSE	130	-	EXODUS
97	-	ORIS	113	-	ARLEN	131	-	KLIPS
98	-	PAROS	114	-	ALIAS	131	-	RUMA
99	-	AREN	115	-	ADORE			

# ADAGIO

**A piece of art...**

This product will be the masterpiece of any interior. It is made of polished and brushed stainless steel with gold plated brass finials. The Adagio radiator is a limited edition and it is certificated.





# UNIQUE



A true 21st century Unique design statement. Forging ahead with design and innovation. Once again merging technology and aesthetics to create functional beauty.

TRIA



199





VERSAILLES

199



FORTE

Powerful square lines bring the feeling of strength and warmth. How did you live without Forte?

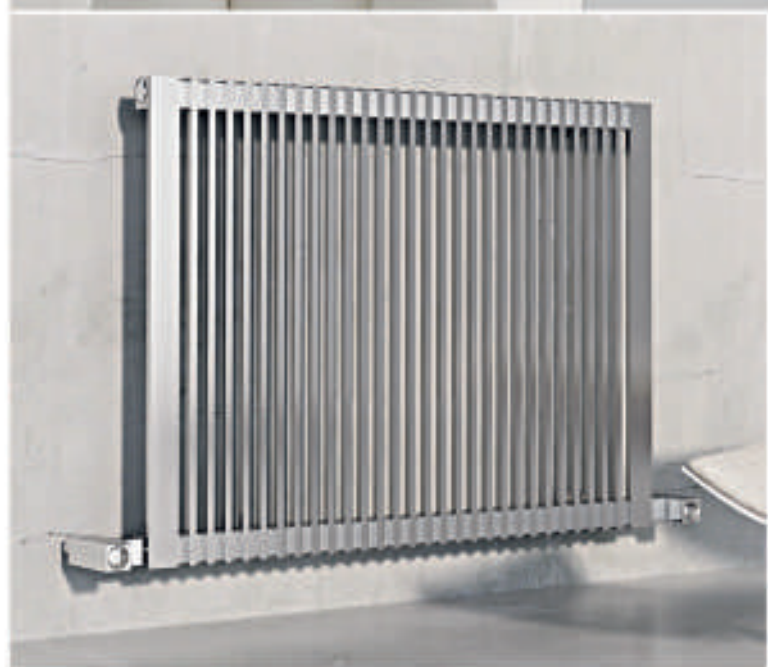
200



FUTURA



# STRIPE



# SARP



# MISTRAL





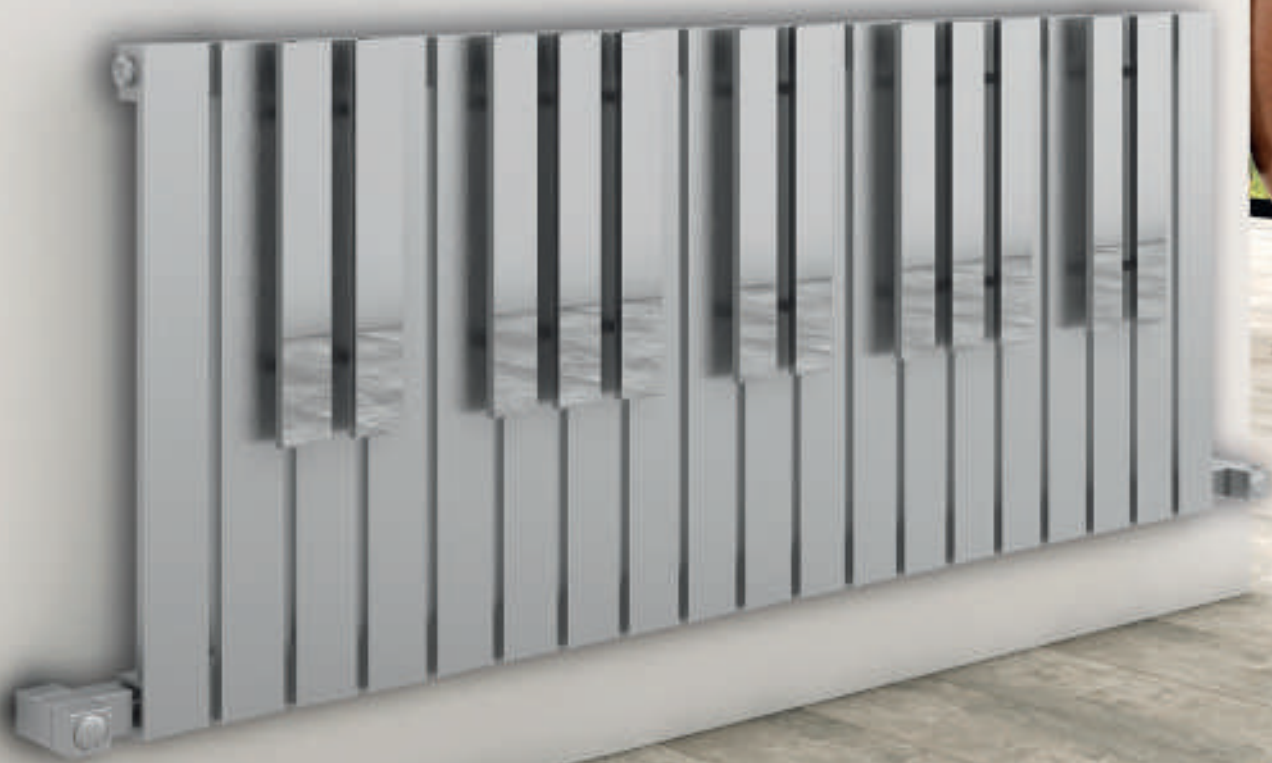
# MISTRAL F

Born of aesthetical ethos an  
indispensable radiator for  
horizontal applications.



# PIANO

Just a piece for music and art  
lovers, looks as warm as the  
notes elicited from a piano.



# KEOPS



A geometrical sharpness in the spirit of the magnificent Keops of Egypt. Hangs like a monument on your wall.





**NEW**

**204**

**LINK FLOOR**



# LINK

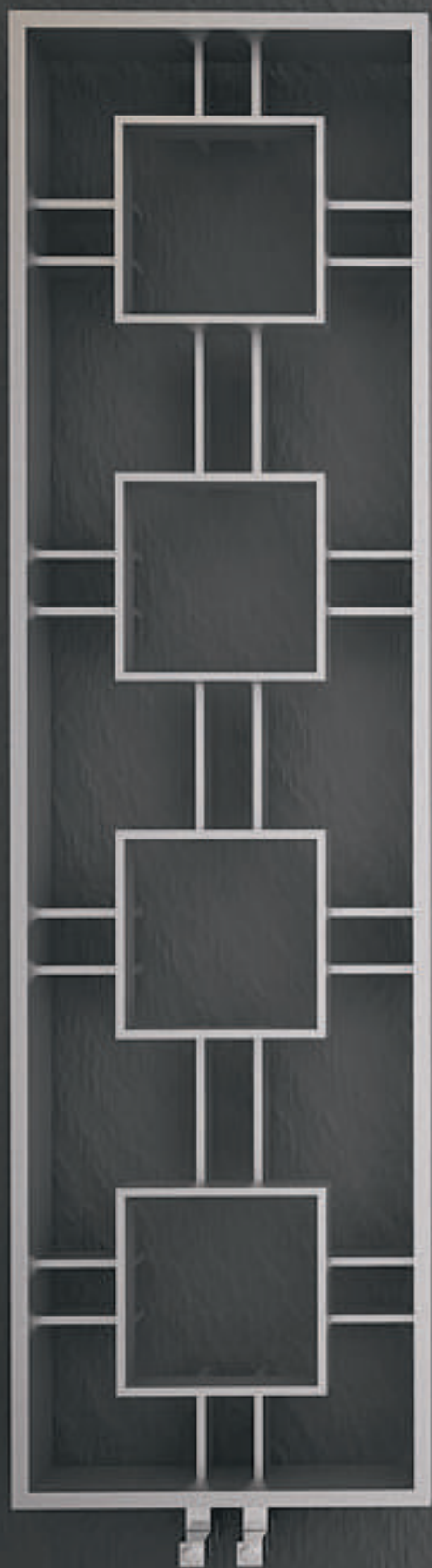
A stainless steel masterpiece that is surprising and admired by all. Its exceptional appearance makes the Link a fine example of design and technology in perfect harmony.



NEW

204

SQUA



205

ORIS



PAROS



206



AREN



REDOX



207

LEPUS



208

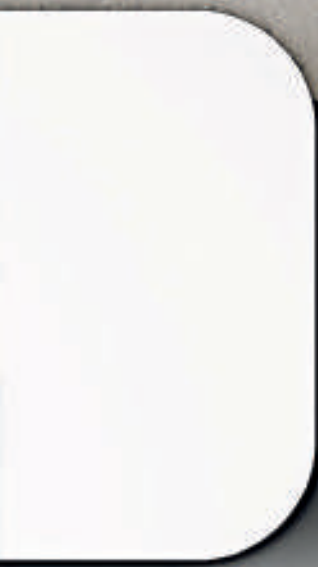
SWING



207



TALENT





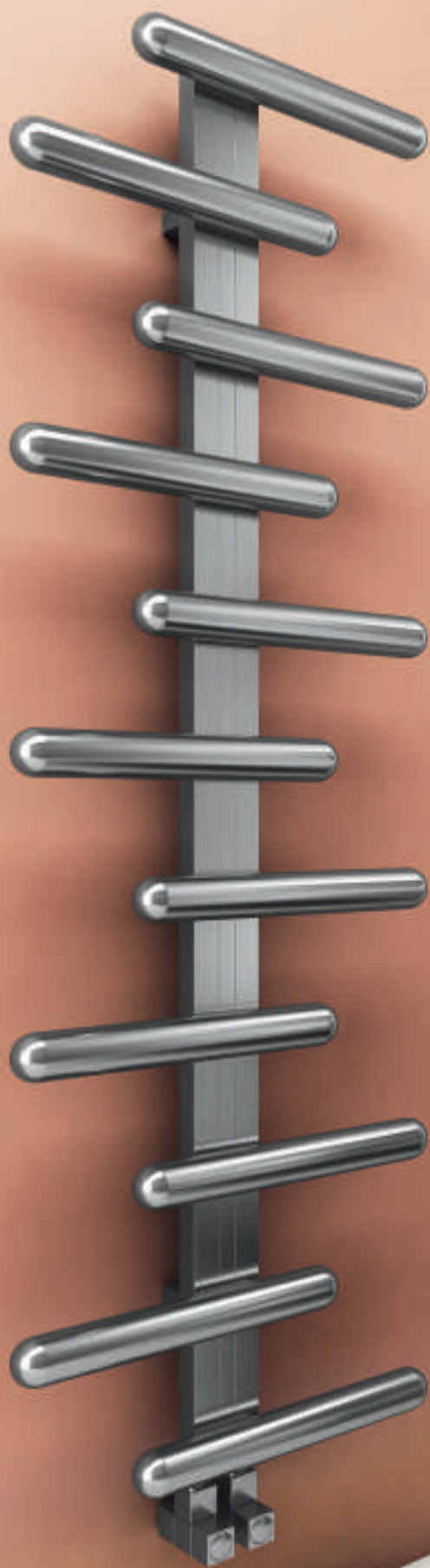
209 BARO





PAN 209

VIVI



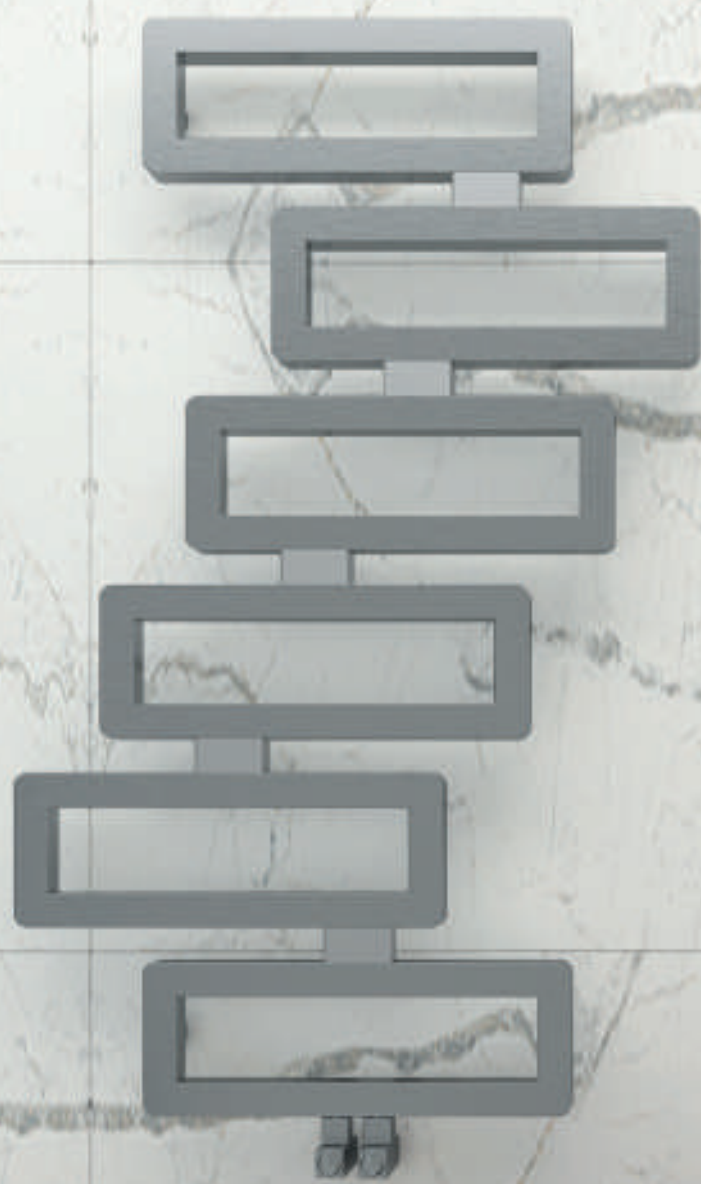
210



IVOR



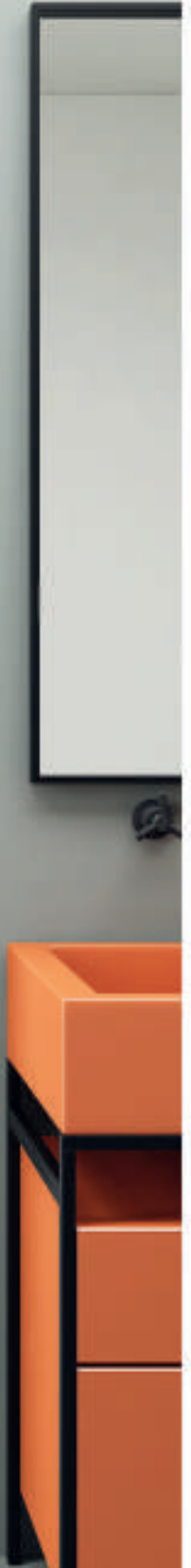
DOMINO



211



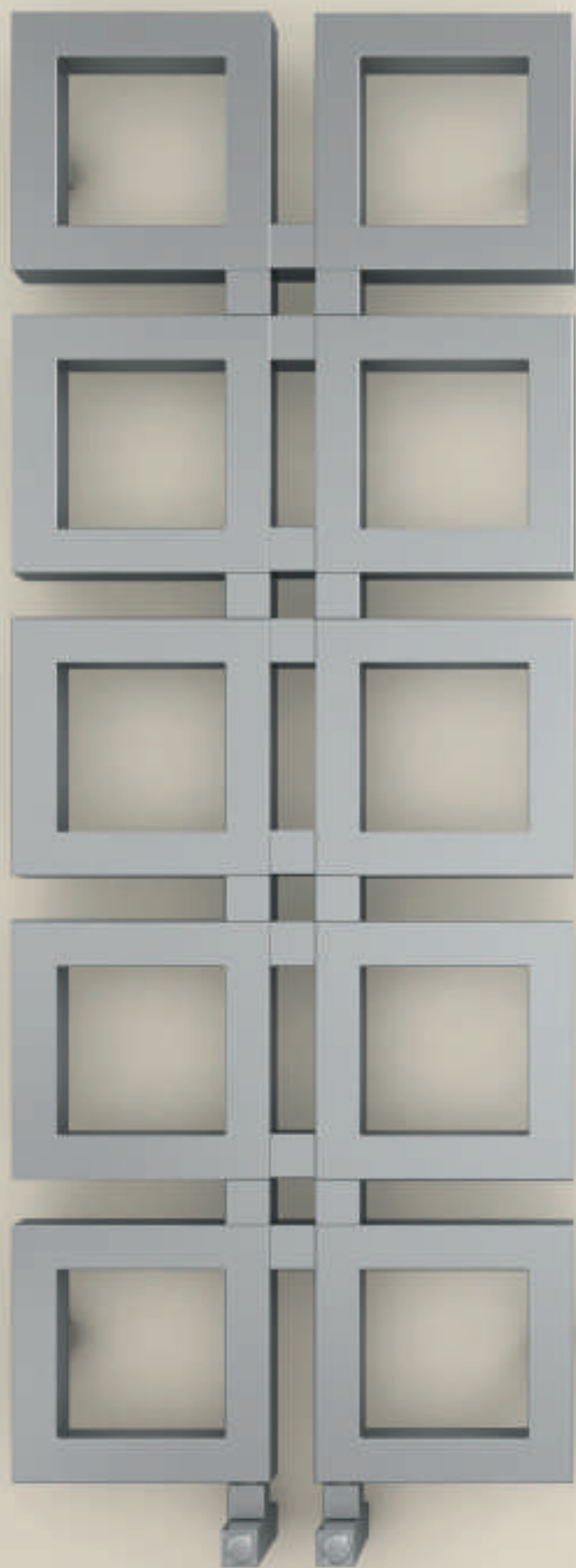
# CLASH





212 HALO

KNIGHT





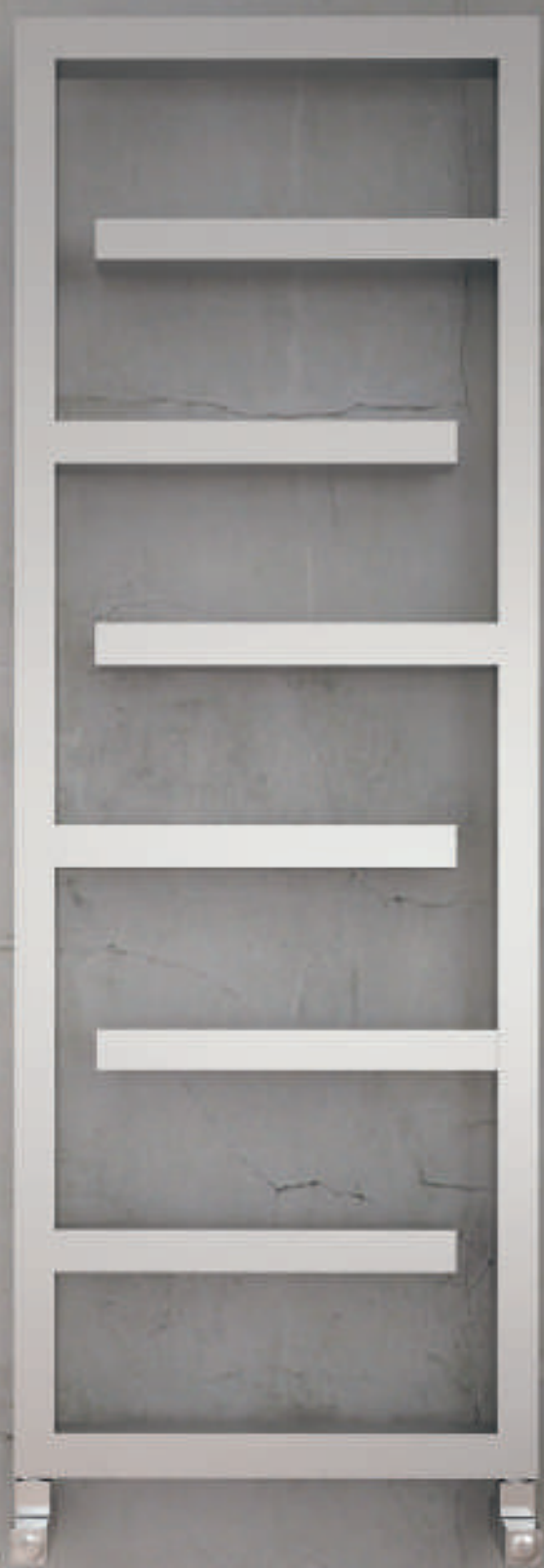


JACK 213

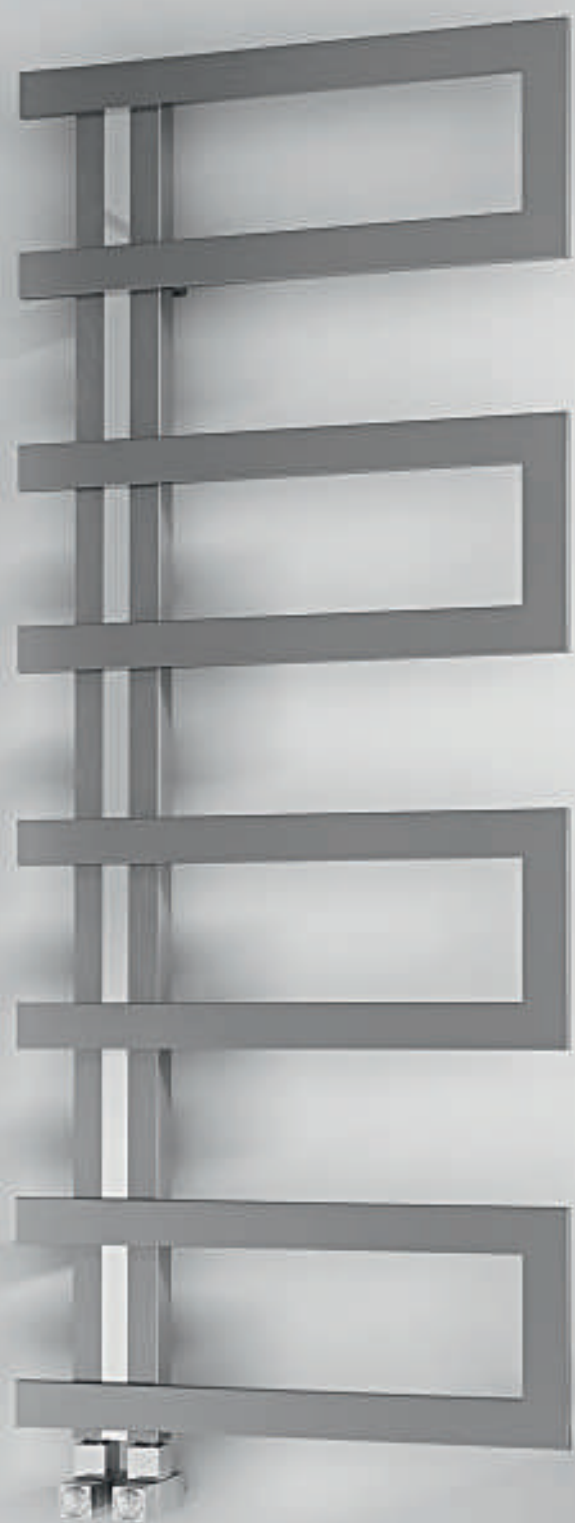
# ECLIPSE



214



ARLEN





ALIAS



215



ADORE **215**

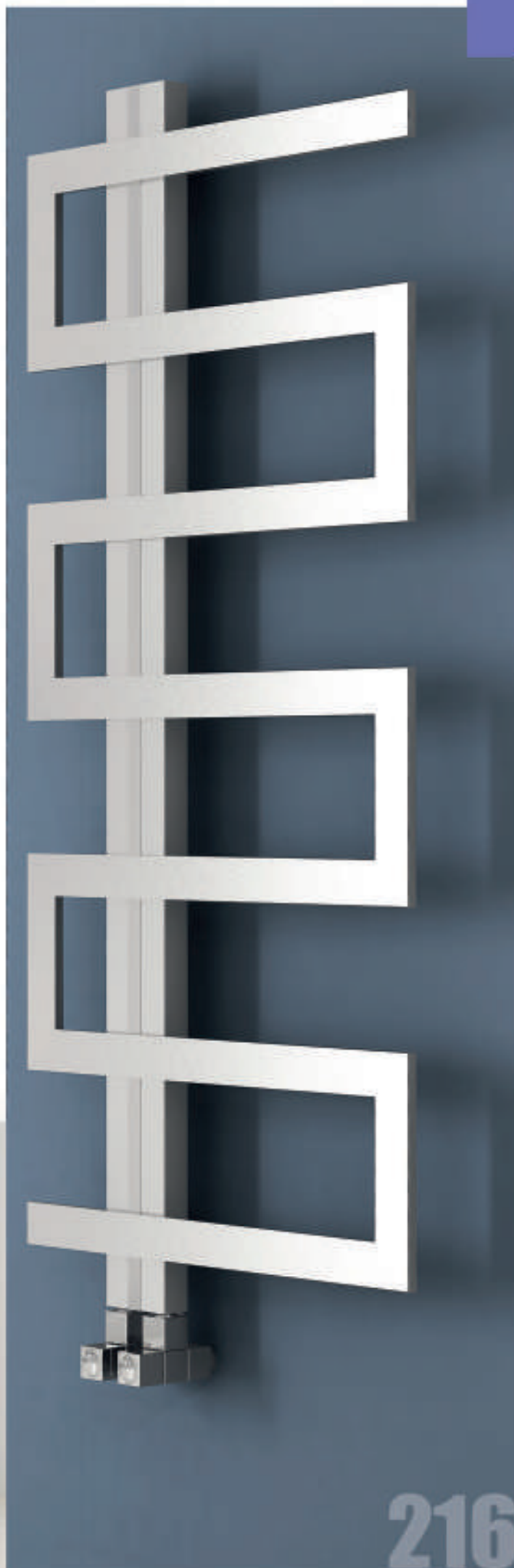
# SNOWFLAKE





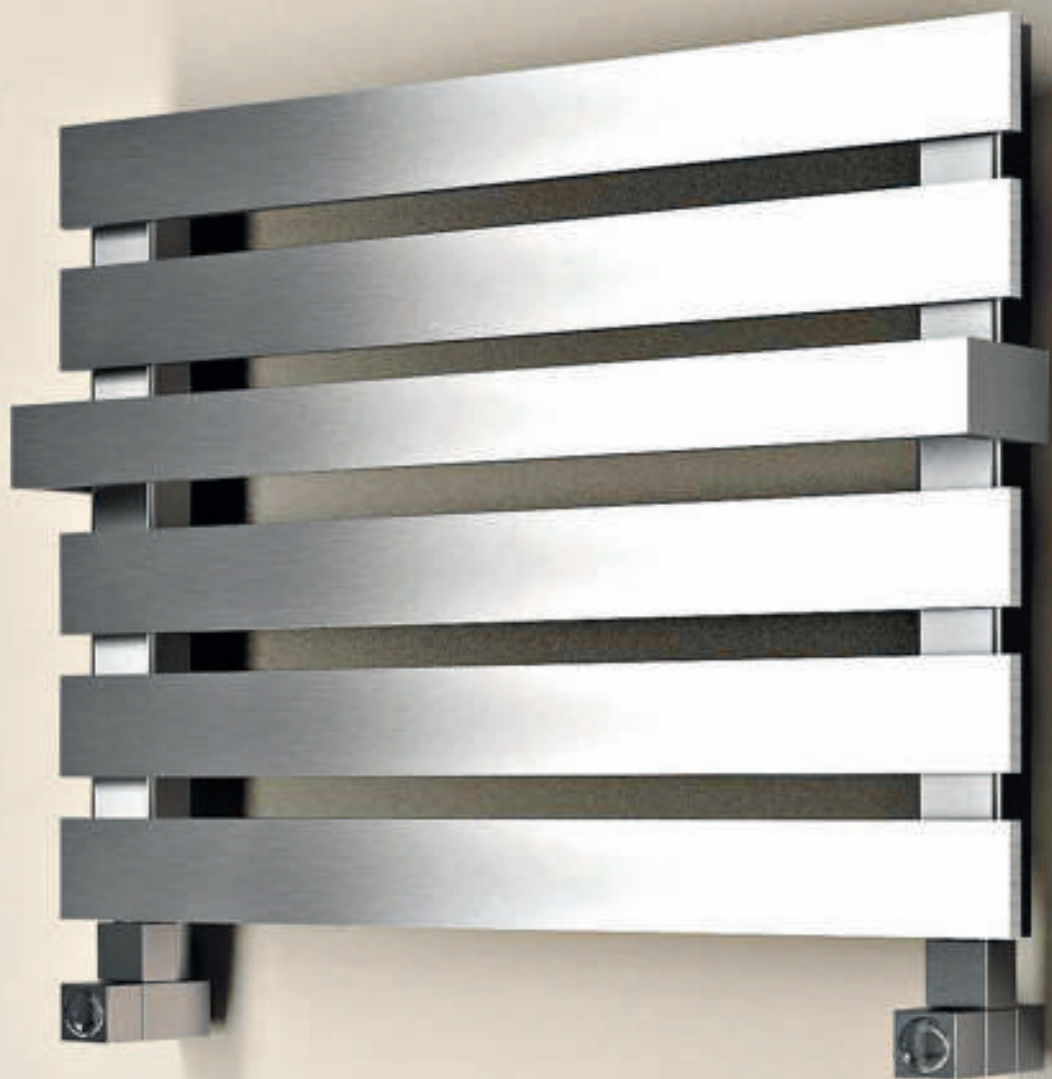
# IBIZA

Ibiza is a stainless steel towel warmer that holds a place of its own in terms of intricate design. Stunning to look at and so practical to use, simply slide your towels on and off as you need them, always warm and fluffy.



JAZZ





MIYA

217



RONI



218

CRUX

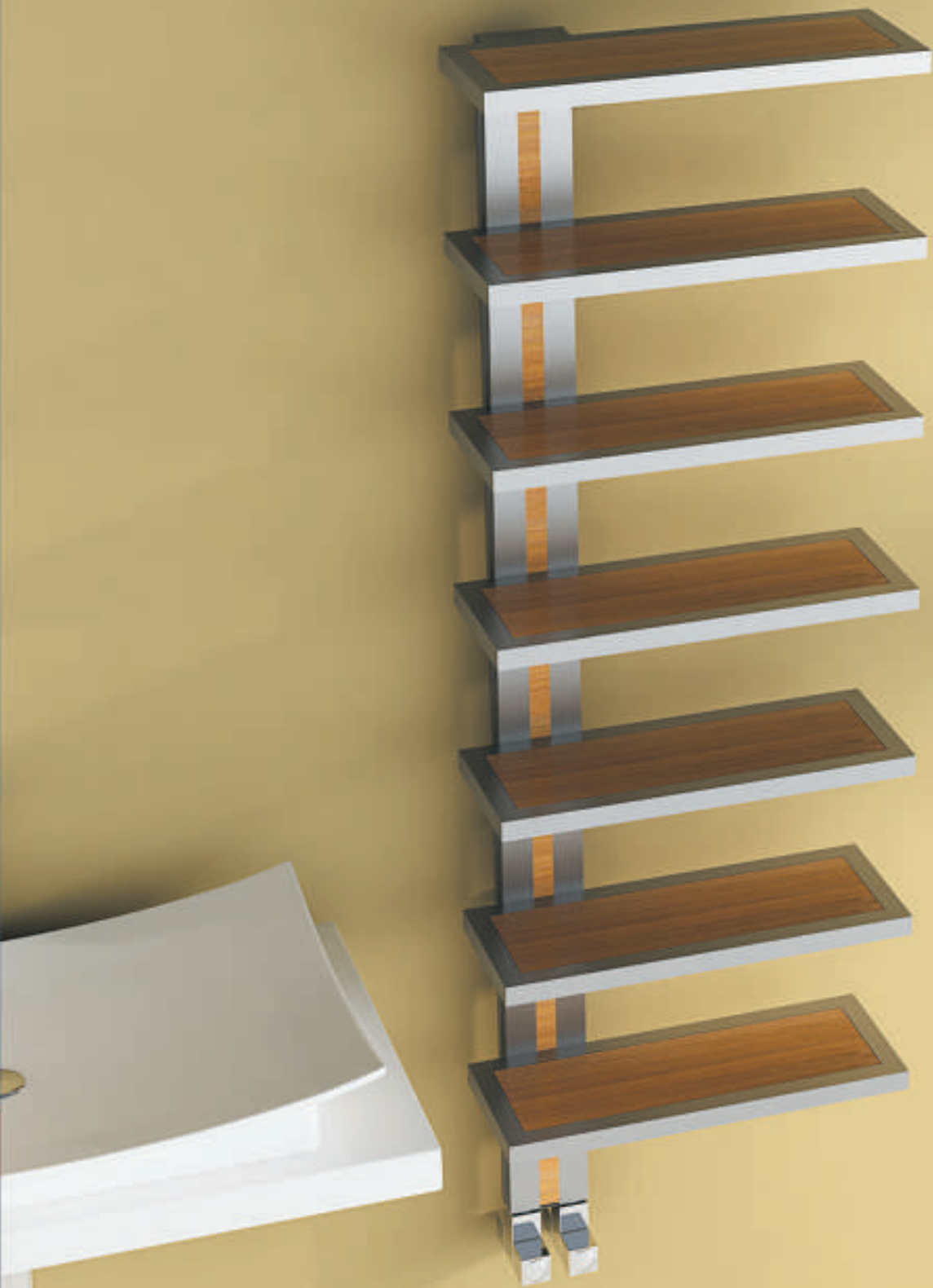


# ZIGZAG

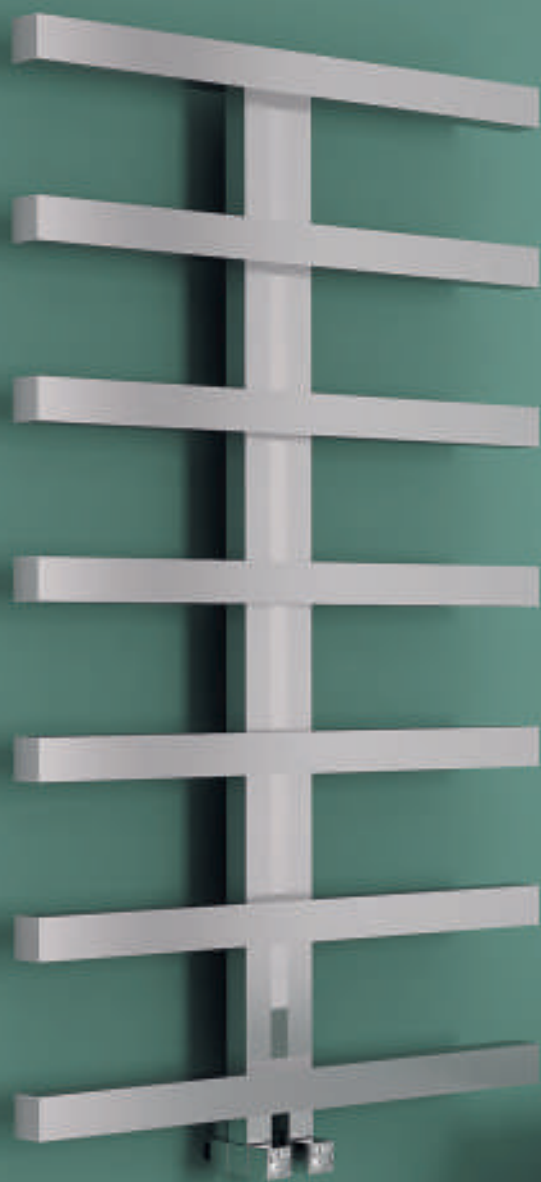




# WOODSTOCK



# HERRING



# ELDORADO





FLAP

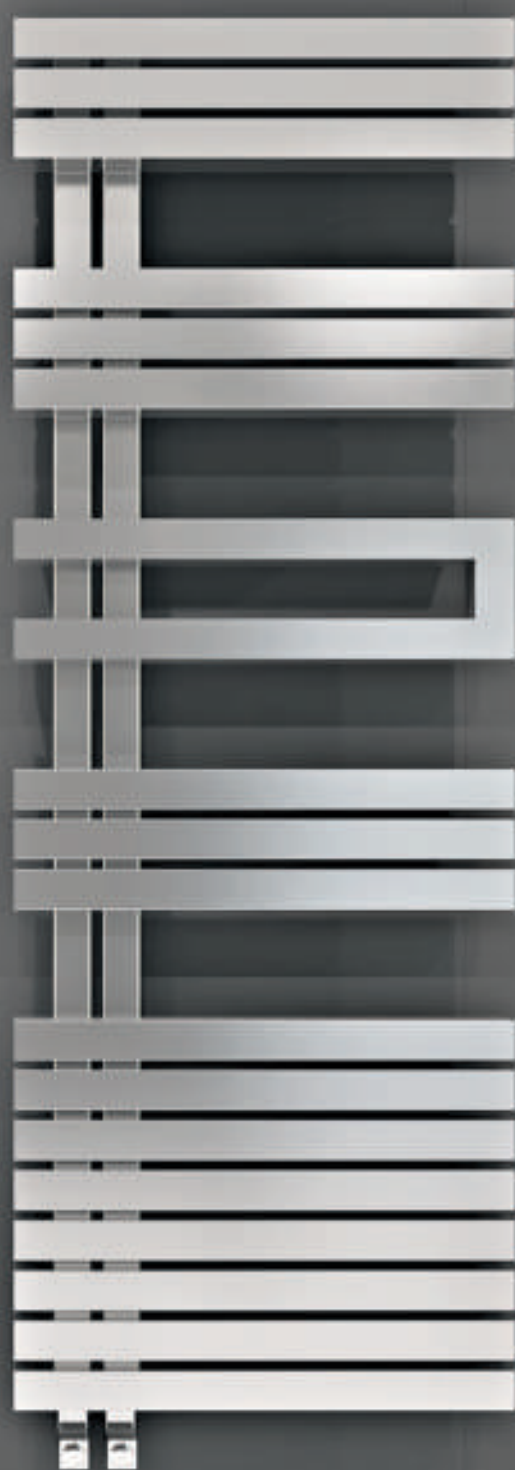


221

BECK



TODOR



222



CASTOR





# EXODUS



RUMA



KLIPS



224

131

223



## Stock Colours & Finishes

In our specification pages the colours are identified by the use of abbreviated codes. Please see below for full details.

Please note that all special order items are subject to a 20% surcharge above the standard retail price with a lead time of 4-6 weeks. An approximate delivery date will be provided when placing an order.

## Material Type

S	-	Mild Steel
FS	-	Flat Steel
SS	-	Stainless Steel
A	-	Aluminium

## Delta T ( $\Delta T$ ) Correction Factors

CODE	COLOUR KEY CHART	TYPE	Delta T	Correction Factor
TXW	RAL 9016 TEXTURED WHITE	A/FS	75°	1.09
TXB	RAL 9005 TEXTURED BLACK	A/FS	70°	1.00
TXA	RAL 7016 TEXTURED ANTHRACITE	A/FS	65°	0.91
TXC	RAL 1013 TEXTURED CHAMPAGNE	A/FS	60°	0.82
TXG	TEXTURED DARK GREY	A/FS	55°	0.73
TXLG	TEXTURED LIGHT GREY	A/FS	50°	0.65
TXL	RAL 1019 TEXTURED LATTE	A/FS	45°	0.56
TXR	RAL 3002 TEXTURED RED	A/FS	40°	0.48
W	RAL 9016 TRAFFIC WHITE	A/FS	35°	0.41
MAT	MATT ANODISED	A	30°	0.33
PLS	POLISHED ANODISED	A		
WOO	WOOD	A		
GLD	GOLD	S		
CHR	CHROME PLATED	S		
MATC	RAL 8029 MATT COPPER	S		
MRP	MIRROR POLISHED	SS		
STP	SATIN POLISHED	SS		

All heat outputs are shown in this brochure are  $\Delta T$  70 C in compliance BSEN442. All dimensions are given as indication only. These products conform to European Ecodesign Directive (2009/125/EC) Lot 20

To calculate the quoted outputs into any other  $\Delta T$  is very simple:

Take the quoted output (n) and divide by 1.55 (n2) this will give you the output with a correction factor of 1. Now simply multiply (n2) by the correction factor for your chosen  $\Delta T$ .

## Our Product Range

All our radiators are produced and outputs measured in accordance with European standard EN 442. When commissioning the radiator on an indirect/closed system we recommend using a suitable mixed metal inhibitor in suitable quantities to protect against scale and corrosion. Failure to use appropriate and adequate inhibitor will void any warranty offered or implied. We reserve the right to have water samples independently conducted under certain circumstances.

## Product Codes Noting

Please take care when using codes to order products. Should you need any help please give our team a call, we love to help. Errors with codes can delay deliveries or result in the wrong product being dispatched.

## Single Or Double Radiators

Using "Double models" maximises heat output within the same wall space. Our Tallis, Nemo and Monza models are available in single or double versions.

## Horizontal & Vertical Models

Most of our designs are available in horizontal or vertical options which means you can maximise the use of ceiling heights and long low spaces, without losing heat output. Bespoke Products shown in the catalogue (made to order) are available for most of our range with 4-6 weeks.

We recommend you choose radiators with a higher heat output than is required as you can always turn them down but will deliver additional heat capacity in the cooler months.

## Deliveries

Planned delivery times are shown at the top of each individual product page. We will confirm the expected delivery date on our order acknowledgment at the time of order. Deliveries will be made to the nearest hard standing area.

# QUADRO

**Material**  
Aluminium

**Stock Finishes**  
PLS SEE COLOUR  
KEY CHART, PAGE 161

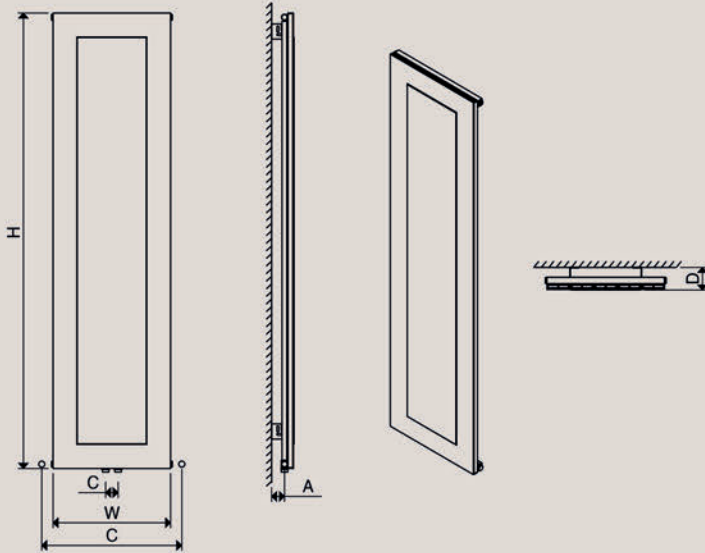
**Guarantee** 5 Years  
**Installation** Vertical

PRODUCT CODE	Height (mm) H	Width (mm) W	Sections n	Pipe Centers (mm) C1	Wall to pipe Centers	Wall Distance	Nett Weight (kg)	Water Content (lt)	Fuel Type	Heat Outputs	
					A (mm)	D (mm)				Watts	BTU
QUA 0280161003	1610	280	3	50-370	30-50	67-87	10,4	1,5	C	1041	3553
QUA 0470180005	1800	470	5	50-560	30-50	67-87	15,6	2,5	C	1911	6520

Please add finishing code at the end of the product code

**Code example :** QUA 0280161003 TXW

Fuel type i.e  
C: Central Heating  
E: Electrical Heating  
D: Dual Heating (C+E)



A full range of made to order sizes available.

Please ask for details.

n = number of sections

Max. working pressure

10 bar

Max. working temperature

95 °C

Connections

1/2"

# RHOMBUS

**Material**  
Cast Aluminium  
With Copper Tubes

**Stock Finishes**  
PLS SEE COLOUR  
KEY CHART, PAGE 161

**Guarantee** 5 Years  
**Installation** Vertical  
Horizontal

PRODUCT CODE	Height (mm) H	Width (mm) W	Sections n	Pipe Centers (mm) C1	Wall to pipe Centers	Wall Distance	Nett Weight (kg)	Water Content (lt)	Fuel Type	Heat Outputs	
					A (mm)	D (mm)				Watts	BTU
RHO 1260042002	420	1260	2	1110	49	76	28,4	1,2	C	1470	5013
RHO 1890042003	420	1890	3	1740	49	76	42,6	1,8	C	2205	7519
RHO 2520042004	420	2520	4	2370	49	76	56,8	2,4	C	2940	10025
RHO 0840063002	630	840	2	690	49	76	28,4	1,2	C	1470	5013
RHO 1260063003	630	1260	3	1110	49	76	42,6	1,8	C	2205	7519
RHO 1680063004	630	1680	4	1530	49	76	56,8	2,4	C	2940	10025

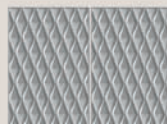
Please add finishing code at the end of the product code

**Code example :** RHO 0630084002 TXA

Fuel type i.e  
C: Central Heating  
E: Electrical Heating  
D: Dual Heating (C+E)



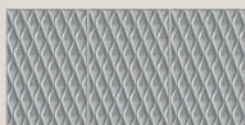
420 x 1260 mm, 2 Elements



630 x 840 mm, 2 Elements



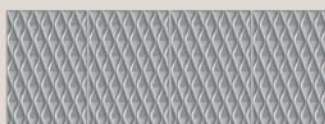
420 x 1890 mm, 3 Elements



630 x 1260 mm, 3 Elements



420 x 2520 mm, 4 Elements



630 x 1680 mm, 4 Elements

Multiple Rhombus radiators can be installed in an adjoint combination.

n = number of sections

Max. working pressure

10 bar

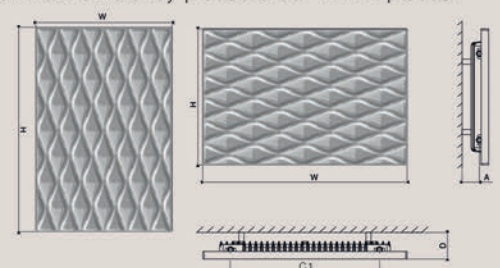
Max. working temperature

95 °C

Connections

1/2"

For max. efficiency please order min. 2 pieces.





# TALLIS DOUBLE

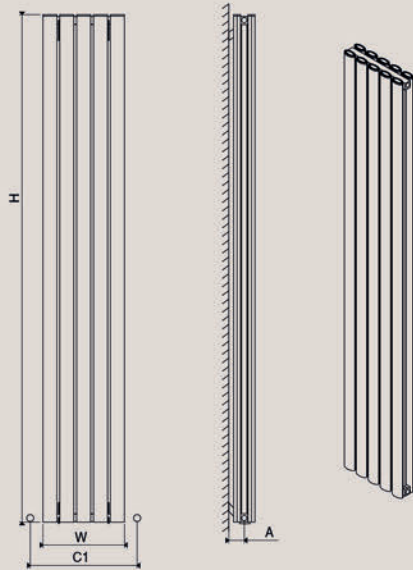
Material	Stock Finishes	Guarantee	Installation
Aluminium	PLS SEE COLOUR KEY CHART, PAGE 161	5 Years	Vertical Horizontal

PRODUCT CODE	Height (mm) H	Width (mm) W	Sections n	Pipe Centers (mm) C1	Wall to pipe Centers A (mm)	Wall Distance D (mm)	Nett Weight (kg)	Water Content (lt)	Fuel Type	Heat Outputs	
										Watts	BTU
TLD 0350180006	1800	350	6	440	55	93	15.7	2.2	C	2168	7398
TLD 0470180008	1800	470	8	560	55	93	20.9	2.9	C	2892	9868
TLD 0710060012	600	710	12	800	55	93	11.3	1.8	C	1971	6727
TLD 0950060016	600	950	16	1040	55	93	13.4	2.4	C	2629	8969
TLD 1190060020	600	1190	20	1280	55	93	16.8	3	C	3286	11211

Please add finishing code  
at the end of the product code

Code example : TLD 0710060012 TXB

Fuel type i.e C: Central Heating  
E: Electrical Heating  
D: Dual Heating (C+E)



A full range of made to order sizes available.  
Please ask for details.

Radiator width for made to order sizes ( n x 60 ) -10mm  
n = number of sections

Max. working pressure 10 bar

Max. working temperature 95 °C

Connections 1/2"

Section width 50 mm

Section depth 76 mm

Pipe center C1 = W + 90 mm



# TALLIS DOUBLE XL

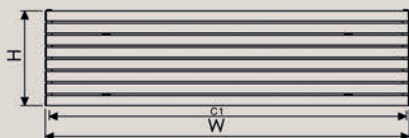
Material	Stock Finishes	Guarantee	Installation
Aluminium	PLS SEE COLOUR KEY CHART, PAGE 161	5 Years	Horizontal

PRODUCT CODE	Height (mm) H	Width (mm) W	Sections n	Pipe Centers (mm) C1	Wall to pipe Centers A (mm)	Wall Distance D (mm)	Nett Weight (kg)	Water Content (lt)	Fuel Type	Heat Outputs	
										Watts	BTU
TXD 1800035006	350	1800	6	1775	55	93	15.7	2.2	C	2168	7398
TXD 1800047008	470	1800	8	1775	55	93	20.9	2.9	C	2892	9868

Please add finishing code  
at the end of the product code

Code example : TXD 1800047008 TXW

Fuel type i.e C: Central Heating  
E: Electrical Heating  
D: Dual Heating (C+E)



A full range of made to order sizes available.  
Please ask for details.

Radiator height for made to order sizes ( n x 60 ) -10mm  
n = number of sections

Max. working pressure 10 bar

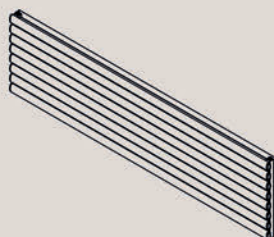
Max. working temperature 95 °C

Connections 1/2"

Section width 50 mm

Section depth 76 mm

Pipe center C1 = W - 25 mm





# TALLIS

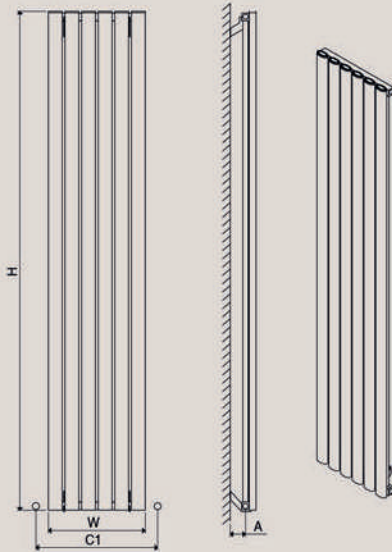
Material	Stock Finishes	Guarantee	Installation
Aluminium	PLS SEE COLOUR KEY CHART, PAGE 161	5 Years	Vertical Horizontal

PRODUCT CODE	Height (mm) H	Width (mm) W	Sections n	Pipe Centers (mm) C1	Wall to pipe	Wall	Nett	Water	Fuel	Heat Outputs	
					Centers	Distance				Weight	Content
					A (mm)	D (mm)	(kg)	(lt)			
TLL 0350180006	1800	350	6	440	55	93	11,3	2,0	C	1143	3900
TLL 0470180008	1800	470	8	560	55	93	14,8	2,7	C	1524	5199
TLL 0710060012	600	710	12	800	55	93	9,0	1,5	C	1048	3575
TLL 0950060016	600	950	16	1040	55	93	11,6	2,0	C	1397	4766
TLL 1190060020	600	1190	20	1280	55	93	14,3	2,5	C	1746	5958

Please add finishing code  
at the end of the product code

Code example : TLL 0710060012 TXB

Fuel type i.e  
C: Central Heating  
E: Electrical Heating  
D: Dual Heating (C+E)



A full range of made to order sizes available.

Please ask for details.

Radiator width for made to order sizes ( n x 60 ) -10mm

n = number of sections

Max. working pressure

10 bar

Max. working temperature

95 °C

Connections

1/2"

Section width

50 mm

Section depth

51 mm

Pipe center

C1 = W + 90 mm

# TALLIS MIRROR

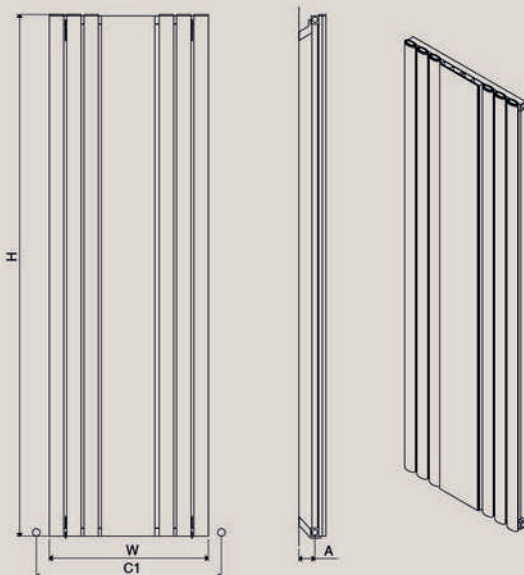
Material	Stock Finishes	Guarantee	Installation
Aluminium	PLS SEE COLOUR KEY CHART, PAGE 161	5 Years	Vertical

PRODUCT CODE	Height (mm) H	Width (mm) W	Sections n	Pipe Centers (mm) C1	Wall to pipe	Wall	Nett	Water	Fuel	Heat Outputs	
					Centers	Distance				Weight	Content
					A (mm)	D (mm)	(kg)	(lt)			
TAM 0550180008	1800	550	8	640	55	80	14,9	3,6	C	2892	9868

Please add finishing code  
at the end of the product code

Code example : TAM 0550180008 TXW

Fuel type i.e  
C: Central Heating  
E: Electrical Heating  
D: Dual Heating (C+E)



A full range of made to order sizes available.

Please ask for details.

n = number of sections

Max. working pressure

10 bar

Max. working temperature

95 °C

Connections

1/2"

Section width

50 mm

Section depth

51 mm

Pipe center

C1 = W + 90 mm

# TALLIS XL

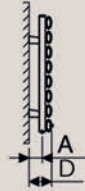
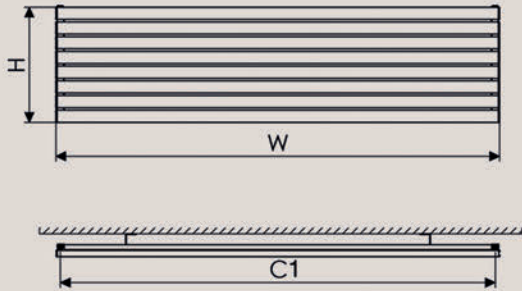
Material	Stock Finishes	Guarantee	Installation
Aluminium	PLS SEE COLOUR KEY CHART, PAGE 161	5 Years	Horizontal

PRODUCT CODE	Height (mm) H	Width (mm) W	Sections n	Pipe Centers (mm) C1	Wall to pipe Centers	Wall Distance	Nett Weight (kg)	Water Content (lt)	Fuel Type	Heat Outputs	
					A (mm)	D (mm)				Watts	BTU
TXL 1800035006	350	1800	6	1775	55	93	11,3	2.0	C	1143	3900
TXL 1800047008	470	1800	8	1775	55	93	14.8	2,7	C	1524	5199

Please add finishing code at the end of the product code

Code example : TXL 1800047008 TXB

Fuel type i.e  
C: Central Heating  
E: Electrical Heating  
D: Dual Heating (C+E)



A full range of made to order sizes available.

Please ask for details.

Radiator height for made to order sizes	( n x 60 ) - 10mm
n = number of sections	
Max. working pressure	10 bar
Max. working temperature	95 °C
Connections	1/2"
Section width	50 mm
Section depth	51 mm
Pipe center	C1 W- 25 mm

# SOPHIA

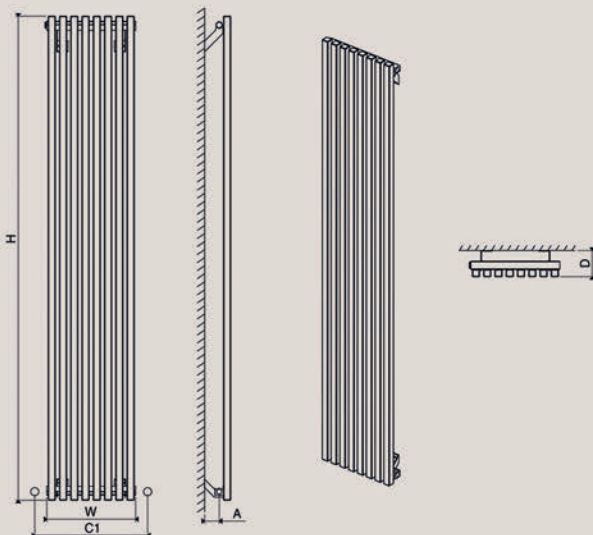
Material	Stock Finishes	Guarantee	Installation
Aluminium	PLS SEE COLOUR KEY CHART, PAGE 161	5 Years	Vertical Horizontal

PRODUCT CODE	Height (mm) H	Width (mm) W	Sections n	Pipe Centers (mm) C1	Wall to pipe Centers	Wall Distance	Nett Weight (kg)	Water Content (lt)	Fuel Type	Heat Outputs	
					A (mm)	D (mm)				Watts	BTU
SOP 0331180008	1800	331	8	421	55	98	12.4	2.0	C	1600	5459
SOP 0415180010	1800	415	10	505	55	98	15.3	2.7	C	2000	6824
SOP 0499060012	600	499	12	589	55	98	7.5	1.5	C	800	2730
SOP 0667060016	600	667	16	757	55	98	9.6	2.0	C	1067	3640
SOP 0835060020	600	835	20	925	55	98	11.8	2.5	C	1333	4549

Please add finishing code at the end of the product code

Code example : SOP 0331180008 TXW

Fuel type i.e  
C: Central Heating  
E: Electrical Heating  
D: Dual Heating (C+E)



A full range of made to order sizes available.

Please ask for details.

Radiator width for made to order sizes	( n x 42 ) - 5 mm
n = number of sections	
Max. working pressure	10 bar
Max. working temperature	95 °C
Connections	1/2"
Section width	27 mm
Section depth	58 mm
Pipe center	C1 W + 90 mm

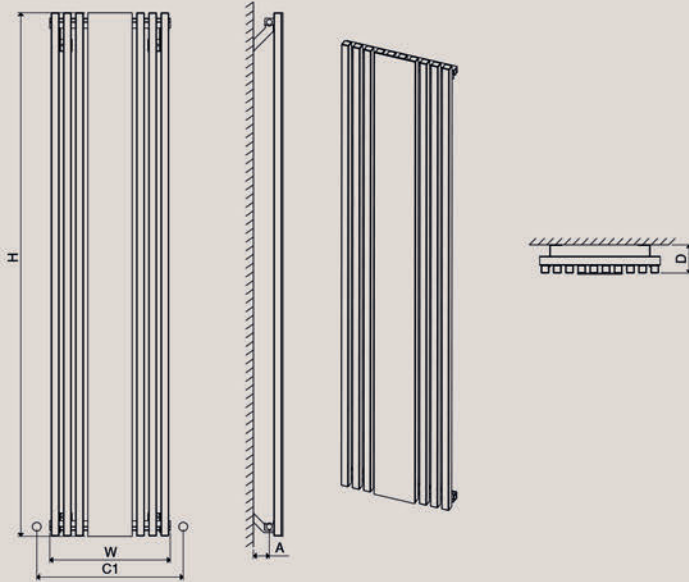
# SOPHIA MIRROR

Material	Stock Finishes	Guarantee	Installation
Aluminium	PLS SEE COLOUR KEY CHART, PAGE 161	5 Years	Vertical

PRODUCT CODE	Height (mm)	Width (mm)	Sections	Pipe Centers (mm)	Wall to pipe Centers	Wall Distance	Nett Weight	Water Content	Fuel Type	Heat Outputs	
	H	W	n	C1	A (mm)	D (mm)	(kg)	(lt)		Watts	BTU
SOM 0415180010	1800	415	10	505	55	102	15.3	2.7	C	2000	6824

Please add finishing code at the end of the product code **Code example : SOM 0415180010 TXW**

Fuel type i.e  
C: Central Heating  
E: Electrical Heating  
D: Dual Heating (C+E)



A full range of made to order sizes available.

Please ask for details.

Radiator width for made to order sizes (n x 42) - 5 mm

n = number of sections

Max. working pressure 10 bar

Max. working temperature 95 °C

Connections 1/2"

Section width 27 mm

Section depth 58 mm

Pipe center C1 W + 90 mm

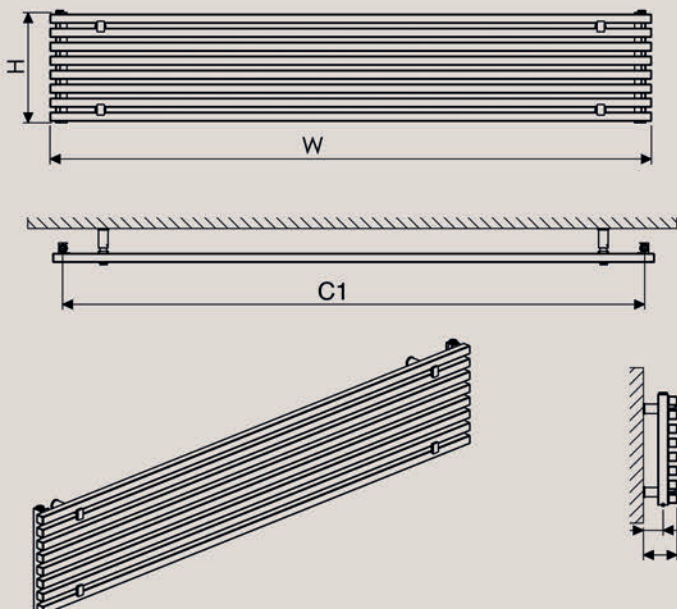
# SOPHIA XL

Material	Stock Finishes	Guarantee	Installation
Aluminium	PLS SEE COLOUR KEY CHART, PAGE 161	5 Years	Horizontal

PRODUCT CODE	Height (mm)	Width (mm)	Sections	Pipe Centers (mm)	Wall to pipe Centers	Wall Distance	Nett Weight	Water Content	Fuel Type	Heat Outputs	
	H	W	n	C1	A (mm)	D (mm)	(kg)	(lt)		Watts	BTU
SXL 1800033108	331	1800	8	1740	49-69	92-112	12.4	2.0	C	1600	5459
SXL 1800041510	415	1800	10	1740	49-69	92-112	15.3	2.7	C	2000	6824

Please add finishing code at the end of the product code **Code example : SXL 1800041510 TXB**

Fuel type i.e  
C: Central Heating  
E: Electrical Heating  
D: Dual Heating (C+E)



A full range of made to order sizes available.

Please ask for details.

Radiator height for made to order sizes (n x 42) - 5 mm

n = number of sections

Max. working pressure 10 bar

Max. working temperature 95 °C

Connections 1/2"

Section width 27 mm

Section depth 58 mm

Pipe center C1 W - 60 mm



# MONZA

<b>Material</b>	<b>Stock Finishes</b>	<b>Guarantee</b>	<b>Installation</b>
Aluminium	PLS SEE COLOUR KEY CHART, PAGE 161	5 Years	Vertical Horizontal

PRODUCT CODE	Height (mm) H	Width (mm) W	Sections n	Pipe Centers (mm) C1	Wall to pipe Centers		Nett Weight (kg)	Water Content (lt)	Fuel Type	Heat Outputs	
					A (mm)	D (mm)				Watts	BTU
MNZ 0280180003	1800	280	3	370	30-50	60-80	6.9	1.5	C	986	3364
MNZ 0375180004	1800	375	4	465	30-50	60-80	9.2	2.0	C	1509	5149
MNZ 0470180005	1800	470	5	560	30-50	60-80	11.5	2.5	C	1911	6521
MNZ 0470060005	600	470	5	560	30-50	60-80	4.5	1.0	C	965	3292
MNZ 0660060007	600	660	7	750	30-50	60-80	6.4	1.1	C	1351	4609
MNZ 0850060009	600	850	9	940	30-50	60-80	8.3	1.4	C	1737	5925
MNZ 1040060011	600	1040	11	1130	30-50	60-80	10.1	1.7	C	2122	7241
MNZ 1230060013	600	1230	13	1320	30-50	60-80	11.9	2.1	C	2508	8557

Please add finishing code at the end of the product code

Code example : MNZ 0375180004 TXB

Fuel type i.e. C: Central Heating  
E: Electrical Heating  
D: Dual Heating (C+E)

A full range of made to order sizes available.

Please ask for details.

Radiator width for made to order sizes (n x 95) - 5 mm

n = number of sections

Max. working pressure 10 bar

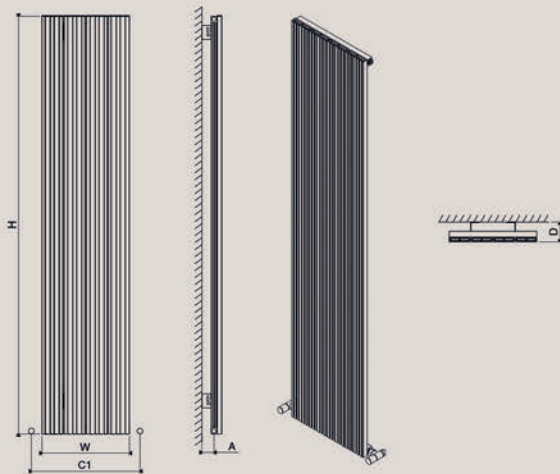
Max. working temperature 95 °C

Connections 1/2"

Section width 90 mm

Section depth 46 mm

Pipe center C1 W + 90 mm



# NEMO

<b>Material</b>	<b>Stock Finishes</b>	<b>Guarantee</b>	<b>Installation</b>
Aluminium	PLS SEE COLOUR KEY CHART, PAGE 161	5 Years	Vertical Horizontal

PRODUCT CODE	Height (mm) H	Width (mm) W	Sections n	Pipe Centers (mm) C1	Wall to pipe Centers		Nett Weight (kg)	Water Content (lt)	Fuel Type	Heat Outputs	
					A (mm)	D (mm)				Watts	BTU
NMO 0280180003	1800	280	3	370	30-50	60-80	6.9	1.5	C	1252	4273
NMO 0375180004	1800	375	4	465	30-50	60-80	9.2	2.0	C	1670	5698
NMO 0470180005	1800	470	5	560	30-50	60-80	11.5	2.5	C	2087	7122
NMO 0470060005	600	470	5	560	30-50	60-80	4.5	0.7	C	846	2886
NMO 0660060007	600	660	7	750	30-50	60-80	6.3	1.1	C	1184	4040
NMO 0850060009	600	850	9	940	30-50	60-80	8.1	1.4	C	1522	5194
NMO 1040060011	600	1040	11	1130	30-50	60-80	9.9	1.7	C	1862	6353
NMO 1230060013	600	1230	13	1320	30-50	60-80	11.8	2.1	C	2200	7507

Please add finishing code at the end of the product code

Code example : NMO 0375180004 TXL

Fuel type i.e. C: Central heating  
E: Electrical heating  
D: Dual heating (C+E)

A full range of made to order sizes available.

Please ask for details.

Radiator width for made to order sizes (n x 95) - 5 mm

n = number of sections

Max. working pressure 10 bar

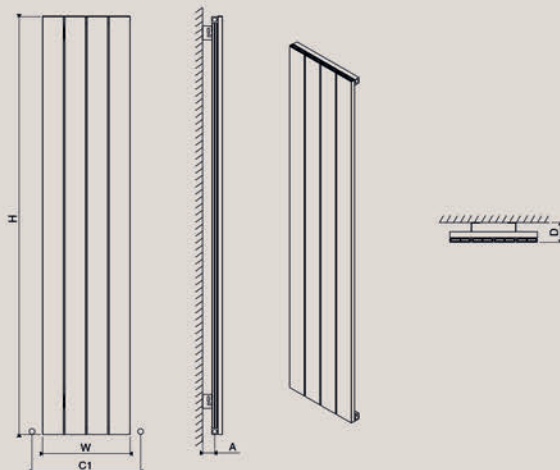
Max. working temperature 95 °C

Connections 1/2"

Section width 90 mm

Section depth 46 mm

Pipe center C1 W + 90 mm



# MONZA

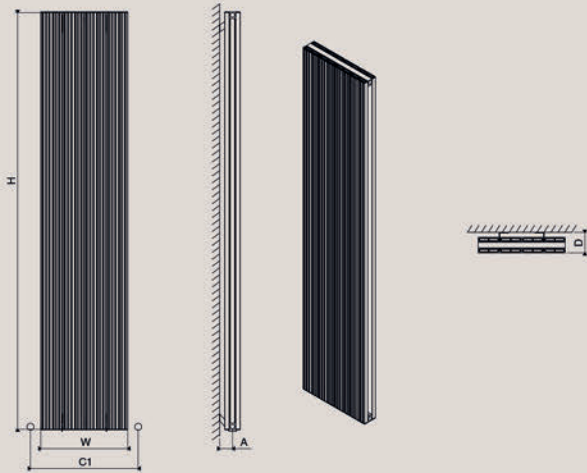
## DOUBLE

Material	Stock Finishes	Guarantee	Installation
Aluminium	PLS SEE COLOUR KEY CHART, PAGE 161	5 Years	Vertical Horizontal

PRODUCT CODE	Height (mm) H	Width (mm) W	Sections n	Pipe Centers (mm) C1	Wall to pipe Centers	Wall Distance	Nett Weight (kg)	Water Content (lt)	Fuel Type	Heat Outputs	
					A (mm)	D (mm)				Watts	BTU
MND 0280180003	1800	280	3	370	55	90	10.8	1.1	C	1790	6109
MND 0375180004	1800	375	4	465	55	90	14.4	1.5	C	2387	8146
MND 0470180005	1800	470	5	560	55	90	18.0	1.9	C	2984	10182
MND 0470060005	600	470	5	560	55	90	6.7	0.7	C	1022	3487
MND 0660060007	600	660	7	750	55	90	9.4	1.1	C	1432	4885
MND 0850060009	600	850	9	940	55	90	12.1	1.4	C	1840	6277
MND 1040060011	600	1040	11	1130	55	90	14.9	1.7	C	2249	7675
MND 1230060013	600	1230	13	1320	55	90	17.5	2.1	C	2657	9066

Please add finishing code at the end of the product code **Code example : MND 0375180004 TXW**

Fuel type i.e C: Central Heating  
E: Electrical Heating  
D: Dual Heating (C+E)



A full range of made to order sizes available.

Please ask for details.

Radiator width for made to order sizes (n x 95) - 5 mm

n = number of sections

Max. working pressure 10 bar

Max. working temperature 95 °C

Connections 1/2"

Section width 90 mm

Section depth 67 mm

Pipe center C1 W + 90 mm

# MONZA

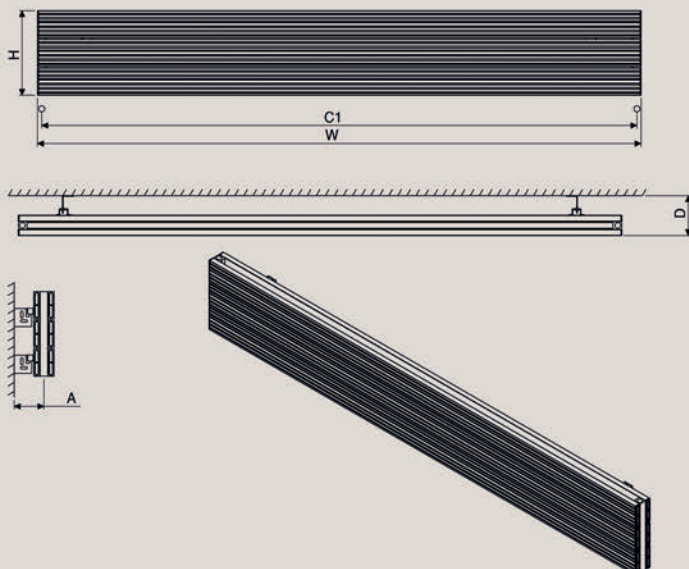
## DOUBLE XL

Material	Stock Finishes	Guarantee	Installation
Aluminium	PLS SEE COLOUR KEY CHART, PAGE 161	5 Years	Horizontal

PRODUCT CODE	Height (mm) H	Width (mm) W	Sections n	Pipe Centers (mm) C1	Wall to pipe Centers	Wall Distance	Nett Weight (kg)	Water Content (lt)	Fuel Type	Heat Outputs	
					A (mm)	D (mm)				Watts	BTU
MXL 1800028003	280	1800	3	1775	76-96	112-132	6.7	0.7	C	1790	6109
MXL 1800037504	375	1800	4	1775	76-96	112-132	9.4	1.1	C	2387	8146
MXL 1800047005	470	1800	5	1775	76-96	112-132	9.4	1.1	C	2984	10182

Please add finishing code at the end of the product code **Code example : MXL 1800037504 TXW**

Fuel type i.e C: Central Heating  
E: Electrical Heating  
D: Dual Heating (C+E)



A full range of made to order sizes available.

Please ask for details.

Radiator height for made to order sizes (n x 95) - 5 mm

n = number of sections

Max. working pressure 10 bar

Max. working temperature 95 °C

Connections 1/2"

Section width 90 mm

Section depth 67 mm

Pipe center C1 W - 25 mm



# NEMO

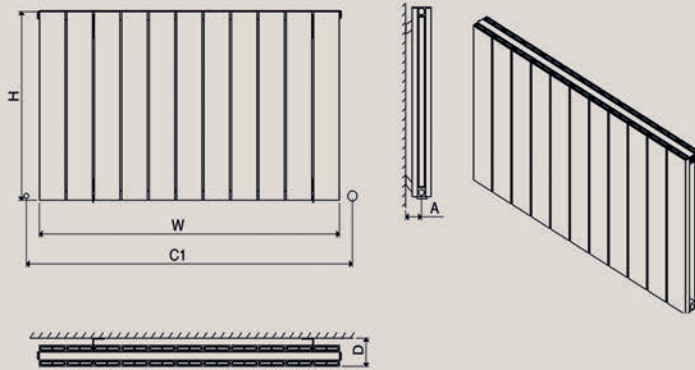
## DOUBLE

Material	Stock Finishes	Guarantee	Installation
Aluminium	PLS SEE COLOUR KEY CHART, PAGE 161	5 Years	Vertical Horizontal

PRODUCT CODE	Height (mm) H	Width (mm) W	Sections n	Pipe Centers (mm) C1	Wall to pipe Centers A (mm)	Wall Distance D (mm)	Nett Weight (kg)	Water Content (lt)	Fuel Type	Heat Outputs	
										Watts	BTU
NMD 0280180003	1800	280	3	370	55	90	10.8	1.1	C	1790	6109
NMD 0375180004	1800	375	4	465	55	90	14.4	1.5	C	2387	8146
NMD 0470180005	1800	470	5	560	55	90	18.0	1.9	C	2984	10182
NMD 0470060005	600	470	5	560	55	90	6.7	0.7	C	1023	3490
NMD 0660060007	600	660	7	750	55	90	9.4	1.1	C	1432	4885
NMD 0850060009	600	850	9	940	55	90	12.1	1.4	C	1840	6277
NMD 1040060011	600	1040	11	1130	55	90	14.9	1.7	C	2249	7675
NMD 1230060013	600	1230	13	1320	55	90	17.5	2.1	C	2657	9066

Please add finishing code at the end of the product code **Code example : NMD 0375180004 TXL**

Fuel type i.e. C: Central heating  
E: Electrical heating  
D: Dual heating (C+E)



A full range of made to order sizes available.

Please ask for details.

Radiator width for made to order sizes (n x 95) - 5 mm

n = number of sections

Max. working pressure 10 bar

Max. working temperature 95 °C

Connections 1/2"

Section width 90 mm

Section depth 67 mm

Pipe center C1 W + 90 mm

# NEMO

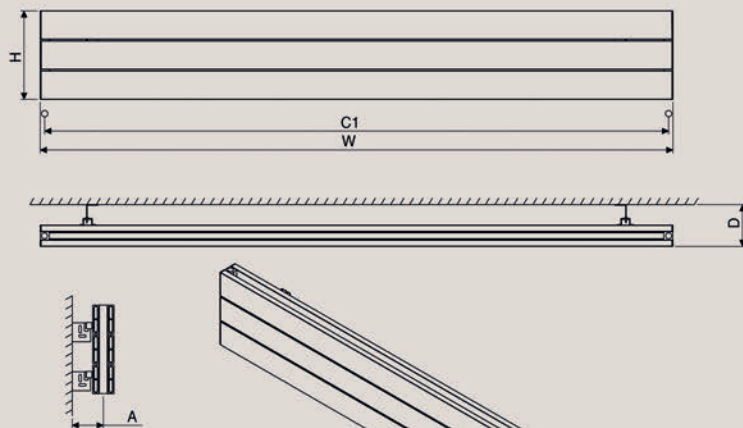
## DOUBLE XL

Material	Stock Finishes	Guarantee	Installation
Aluminium	PLS SEE COLOUR KEY CHART, PAGE 161	5 Years	Horizontal

PRODUCT CODE	Height (mm) H	Width (mm) W	Sections n	Pipe Centers (mm) C1	Wall to pipe Centers A (mm)	Wall Distance D (mm)	Nett Weight (kg)	Water Content (lt)	Fuel Type	Heat Outputs	
										Watts	BTU
NXL 1800028003	280	1800	3	1775	76-96	112-132	10.8	1.1	C	1790	6109
NXL 1800037504	375	1800	4	1775	76-96	112-132	14.4	1.5	C	2387	8146
NXL 1800047005	470	1800	5	1775	76-96	112-132	18.0	1.9	C	2984	10182

Please add finishing code at the end of the product code **Code example : NXL 1800037504 TXL**

Fuel type i.e. C: Central heating  
E: Electrical heating  
D: Dual heating (C+E)



A full range of made to order sizes available.

Please ask for details.

Radiator height for made to order sizes (n x 95) - 5 mm

n = number of sections

Max. working pressure 10 bar

Max. working temperature 95 °C

Connections 1/2"

Section width 90 mm

Section depth 67 mm

Pipe center C1 W - 25 mm



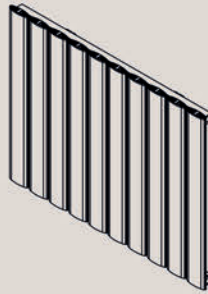
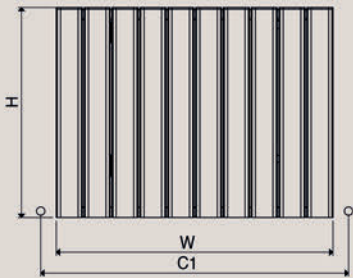
# ELLIPTIC

Material	Stock Finishes	Guarantee	Installation
Aluminium	PLS SEE COLOUR KEY CHART, PAGE 161	5 Years	Vertical Horizontal

PRODUCT CODE	Height (mm) H	Width (mm) W	Sections n	Pipe Centers (mm) C1	Wall to pipe Centers A (mm)	Wall Distance D (mm)	Nett Weight (kg)	Water Content (lt)	Fuel Type	Heat Outputs	
										Watts	BTU
ELL 0315180004	1800	315	4	405	30-50	61-81	8.4	1.3	C	1133	3867
ELL 0395180005	1800	395	5	485	30-50	61-81	10.4	1.7	C	1417	4834
ELL 0475180006	1800	475	6	565	30-50	61-81	12.4	2.0	C	1700	5801
ELL 0795060010	600	795	10	885	30-50	61-81	8.2	1.3	C	1124	3836
ELL 0955060012	600	955	12	1045	30-50	61-81	9.8	1.7	C	1349	4603
ELL 1195060015	600	1195	15	1285	30-50	61-81	12.2	2.1	C	1686	5754

Please add finishing code at the end of the product code **Code example : ELL 0315180004 TXW**

Fuel type i.e C: Central Heating  
E: Electrical Heating  
D: Dual Heating (C+E)



A full range of made to order sizes available.

Please ask for details.

Radiator width for made to order sizes ( n x 80 ) - 5 mm

n = number of sections

Max. working pressure 10 bar

Max. working temperature 95 °C

Connections 1/2"

Section width 75 mm

Section depth 46 mm

Pipe center C1 W + 90 mm

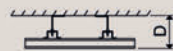
# MACK

Material	Stock Finishes	Guarantee	Installation
Aluminium	PLS SEE COLOUR KEY CHART, PAGE 161	5 Years	Vertical Horizontal

PRODUCT CODE	Height (mm) H	Width (mm) W	Sections n	Pipe Centers (mm) C1	Wall to pipe Centers A (mm)	Wall Distance D (mm)	Nett Weight (kg)	Water Content (lt)	Fuel Type	Heat Outputs	
										Watts	BTU
MAC 0315180004	1800	315	4	405	30-50	74-94	8.2	1.3	C	1201	4099
MAC 0395180005	1800	395	5	485	30-50	74-94	10.1	1.7	C	1502	5123
MAC 0475180006	1800	475	6	565	30-50	74-94	12.1	2.0	C	1802	6148
MAC 0795060010	600	795	10	885	30-50	74-94	8.1	1.3	C	1263	4309
MAC 0955060012	600	955	12	1045	30-50	74-94	9.6	1.7	C	1515	5171
MAC 1195060015	600	1195	15	1285	30-50	74-94	12.0	2.1	C	1894	6463

Please add finishing code at the end of the product code **Code example : MAC 0475180006 TXW**

Fuel type i.e C: Central Heating  
E: Electrical Heating  
D: Dual Heating (C+E)



A full range of made to order sizes available.

Please ask for details.

Radiator width for made to order sizes ( n x 80 ) - 5 mm

n = number of sections

Max. working pressure 10 bar

Max. working temperature 95 °C

Connections 1/2"

Section width 75 mm

Section depth 28 mm

Pipe center C1 W + 90 mm

# PLAY

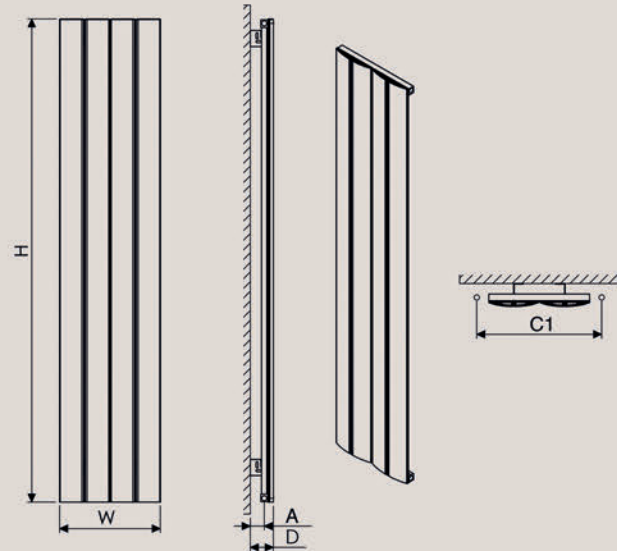
<b>Material</b>	<b>Stock Finishes</b>	<b>Guarantee</b>	<b>Installation</b>
Aluminium	PLS SEE COLOUR KEY CHART, PAGE 161	5 Years	Vertical Horizontal

PRODUCT CODE	Height (mm) H	Width (mm) W	Sections n	Pipe Centers (mm) C1	Wall to pipe Centers A (mm)	Wall Distance D (mm)	Nett Weight (kg)	Water Content (lt)	Fuel Type	Heat Outputs	
										Watts	BTU
PLY 0185180002	1800	185	2	275	30-50	60-80	4.3	1.0	C	835	2849
PLY 0375180004	1800	375	4	465	30-50	60-80	8.2	2.0	C	1670	5698
PLY 0565060006	600	565	6	655	30-50	60-80	4.7	1.2	C	892	3044
PLY 0755060008	600	755	8	845	30-50	60-80	6.2	2.2	C	1189	4058
PLY 0945060010	600	945	10	1035	30-50	60-80	7.6	3.1	C	1487	5073

Please add finishing code at the end of the product code

Code example : PLY 0185180002 TXG

Fuel type i.e., C: Central heating  
E: Electrical heating  
D: Dual heating (C+E)



A full range of made to order sizes available.

Please ask for details.

Radiator width for made to order sizes ( n x 95 ) - 5 mm

n = number of sections

Max. working pressure 10 bar

Max. working temperature 95 °C

Connections 1/2"

Section width 90 mm

Section depth 46 mm

Pipe center C1 W + 90 mm

# ELITE

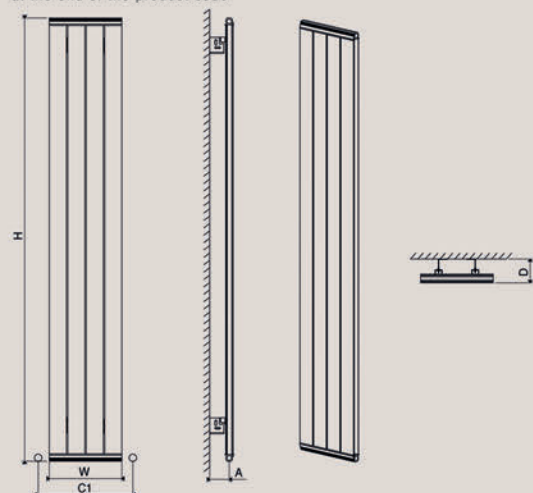
<b>Material</b>	<b>Stock Finishes</b>	<b>Guarantee</b>	<b>Installation</b>
Aluminium	PLS SEE COLOUR KEY CHART, PAGE 161	5 Years	Vertical Horizontal

PRODUCT CODE	Height (mm) H	Width (mm) W	Sections n	Pipe Centers (mm) C1	Wall to pipe Centers A (mm)	Wall Distance D (mm)	Nett Weight (kg)	Water Content (lt)	Fuel Type	Heat Outputs	
										Watts	BTU
ELT 0295180004	1800	295	4	385	60-80	80-100	8.0	1.3	C	832	2838
ELT 0370180005	1800	370	5	460	60-80	80-100	9.8	1.7	C	1040	3547
ELT 0445180006	1800	445	6	535	60-80	80-100	11.5	2.0	C	1247	4256
ELT 0595060008	600	595	8	685	60-80	80-100	6.6	1.0	C	752	2564
ELT 0745060010	600	745	10	835	60-80	80-100	8.0	1.2	C	939	3205
ELT 0895060012	600	895	12	985	60-80	80-100	9.4	1.5	C	1127	3846
ELT 1045060014	600	1045	14	1135	60-80	80-100	10.8	1.7	C	1315	4487
ELT 1195060016	600	1195	16	1285	60-80	80-100	12.2	2.0	C	1503	5129

Please add finishing code at the end of the product code

Code example : ELT 0295180004 W

Fuel type i.e., C: Central heating  
E: Electrical heating  
D: Dual heating (C+E)



A full range of made to order sizes available.

Please ask for details.

Radiator width for made to order sizes ( n x 75 ) - 5 mm

n = number of sections

Max. working pressure 10 bar

Max. working temperature 95 °C

Connections 1/2"

Section width 75 mm

Section depth 35 mm

Pipe center C1 W + 90 mm

# STEP

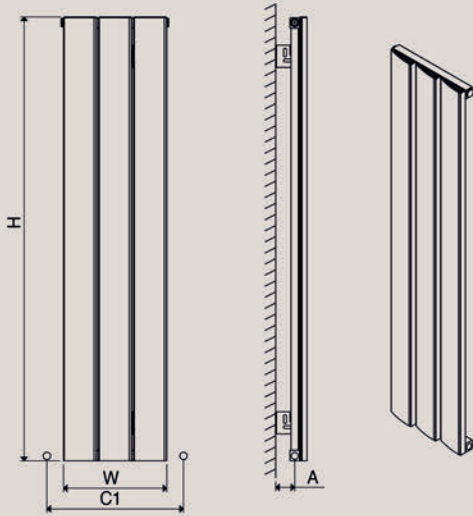
<b>Material</b> Aluminium	<b>Stock Finishes</b> PLS SEE COLOUR KEY CHART, PAGE 161	<b>Guarantee</b> 5 Years	<b>Installation</b> Vertical Horizontal
------------------------------	--	-----------------------------	---

PRODUCT CODE	Height (mm) H	Width (mm) W	Sections n	Pipe Centers (mm) C1	Wall to pipe Centers A (mm)	Wall Distance D (mm)	Nett Weight (kg)	Water Content (lt)	Fuel Type	Heat Outputs	
										Watts	BTU
STP 0280180003	1800	280	3	370	30-50	60-80	7.1	1.6	C	1252	4273
STP 0375180004	1800	375	4	465	30-50	60-80	9.2	2.1	C	1670	5698
STP 0470180005	1800	470	5	560	30-50	60-80	11.2	1.7	C	2087	7122
STP 0470060005	600	470	5	560	30-50	60-80	5.0	0.8	C	746	2546
STP 0660060007	600	660	7	750	30-50	60-80	6.7	1.1	C	1044	3564
STP 0850060009	600	850	9	940	30-50	60-80	8.4	1.4	C	1343	4582
STP 1040060011	600	1040	11	1130	30-50	60-80	10.1	1.7	C	1641	5600
STP 1230060013	600	1230	13	1320	30-50	60-80	11.7	2.1	C	1940	6618

Please add finishing code at the end of the product code

Code example : STP 0280180003 TXW

Fuel type i.e C: Central Heating  
E: Electrical Heating  
D: Dual Heating (C+E)



A full range of made to order sizes available.

Please ask for details.

Radiator width for made to order sizes (n x 95) - 5 mm

n = number of sections

Max. working pressure 10 bar

Max. working temperature 95 °C

Connections 1/2"

Section width 90 mm

Section depth 46 mm

Pipe center C1 W + 90 mm

# STEP MIRROR

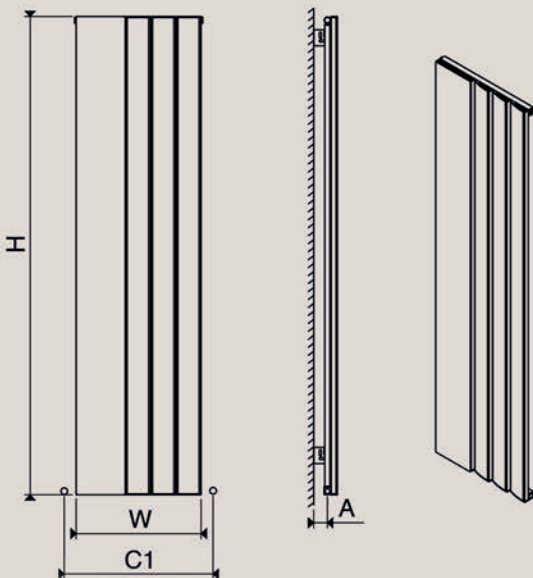
<b>Material</b> Aluminium	<b>Stock Finishes</b> PLS SEE COLOUR KEY CHART, PAGE 161	<b>Guarantee</b> 5 Years	<b>Installation</b> Vertical
------------------------------	--	-----------------------------	---------------------------------

PRODUCT CODE	Height (mm) H	Width (mm) W	Sections n	Pipe Centers (mm) C1	Wall to pipe Centers A (mm)	Wall Distance D (mm)	Nett Weight (kg)	Water Content (lt)	Fuel Type	Heat Outputs	
										Watts	BTU
STM 0375180004	1800	375	4	465	30-50	60-80	11.5	1.5	C	1397	4766
STM 0470180005	1800	470	5	560	30-50	60-80	13.5	1.9	C	1746	5958

Please add finishing code at the end of the product code

Code example : STM 0375180004 PLS

Fuel type i.e C: Central Heating  
E: Electrical Heating  
D: Dual Heating (C+E)



A full range of made to order sizes available.

Please ask for details.

Radiator width for made to order sizes (n x 95) - 5 mm

n = number of sections

Max. working pressure 10 bar

Max. working temperature 95 °C

Connections 1/2"

Section width 90 mm

Section depth 50 mm

Pipe center C1 W + 90 mm



# NIXIE

Material	Stock Finishes	Guarantee	Installation
Aluminium	PLS SEE COLOUR KEY CHART, PAGE 161	5 Years	Vertical Horizontal

PRODUCT CODE	Height (mm) H	Width (mm) W	Sections n	Pipe Centers (mm) C1	Wall to pipe Centers A (mm)	Wall Distance D (mm)	Nett Weight (kg)	Water Content (lt)	Fuel Type	Heat Outputs	
										Watts	BTU
NIX 0205180002	1800	205	2	295	30-50	105-125	9.7	1.3	C	905	3087
NIX 0415180004	1800	415	4	505	30-50	105-125	19.0	2.6	C	1817	6201
NIX 0625060006	600	625	6	715	30-50	105-125	10.6	1.3	C	900	3071
NIX 0835060008	600	835	8	925	30-50	105-125	14.1	1.7	C	1206	4116
NIX 1045060010	600	1045	10	1135	30-50	105-125	17.5	2.1	C	1508	5145
NIX 1255060012	600	1255	12	1345	30-50	105-125	21.0	2.5	C	1810	6174

Please add finishing code at the end of the product code **Code example : NIX 0205180002 TXW**

Fuel type i.e C: Central Heating  
E: Electrical Heating  
D: Dual Heating (C+E)

A full range of made to order sizes available.

Please ask for details.

Radiator width for made to order sizes ( n x 105 ) - 5 mm

n = number of sections

Max. working pressure 10 bar

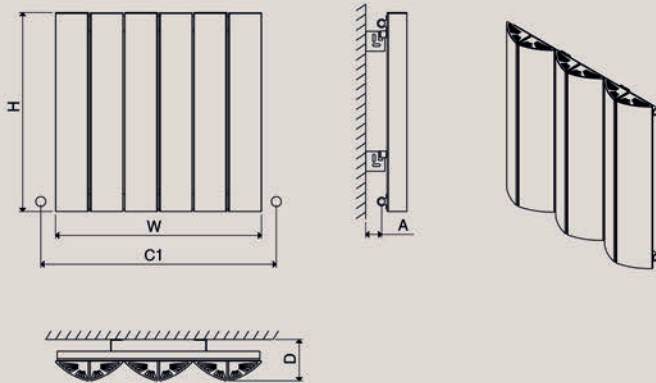
Max. working temperature 95 °C

Connections ½"

Section width 100 mm

Section depth 90 mm

Pipe center C1 W + 90 mm



# OTTO

Material	Stock Finishes	Guarantee	Installation
Aluminium	PLS SEE COLOUR KEY CHART, PAGE 161	5 Years	Vertical Horizontal

PRODUCT CODE	Height (mm) H	Width (mm) W	Sections n	Pipe Centers (mm) C1	Wall to pipe Centers A (mm)	Wall Distance D (mm)	Nett Weight (kg)	Water Content (lt)	Fuel Type	Heat Outputs	
										Watts	BTU
OTT 0315180004	1800	315	4	405	30-50	115-135	19.1	2.5	C	1777	6064
OTT 0395180005	1800	395	5	485	30-50	115-135	23.9	3.2	C	2221	7580
OTT 0475180006	1800	475	6	565	30-50	115-135	28.6	3.8	C	2666	9096
OTT 0795060010	600	795	10	885	30-50	115-135	15.9	2.1	C	1481	5053
OTT 0955060012	600	955	12	1045	30-50	115-135	19.1	2.5	C	1777	6064

Please add finishing code at the end of the product code **Code example : OTT 0395180005 TXW**

Fuel type i.e C: Central Heating  
E: Electrical Heating  
D: Dual Heating (C+E)

A full range of made to order sizes available.

Please ask for details.

Radiator width for made to order sizes ( n x 80 ) - 5 mm

n = number of sections

Max. working pressure 10 bar

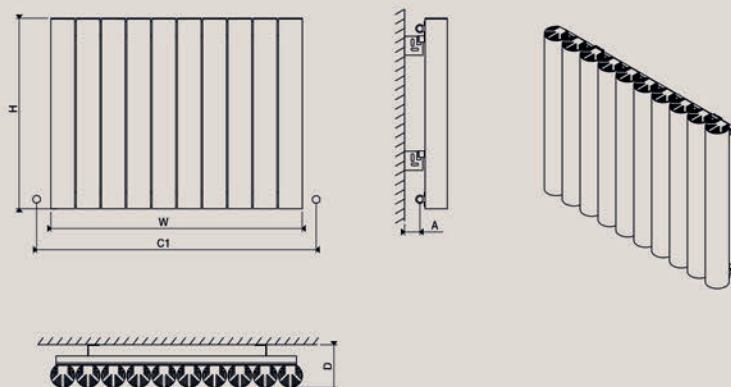
Max. working temperature 95 °C

Connections ½"

Section width 70 mm

Section depth 100 mm

Pipe center C1 W + 90 mm



# GAIA

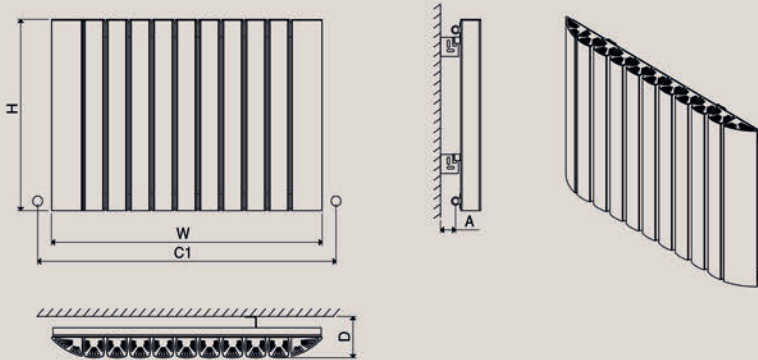
Material	Stock Finishes	Guarantee	Installation
Aluminium	PLS SEE COLOUR KEY CHART, PAGE 161	5 Years	Vertical Horizontal

PRODUCT CODE	Height (mm) H	Width (mm) W	Sections n	Pipe Centers (mm) C1	Wall to pipe Centers A (mm)	Wall Distance D (mm)	Nett Weight (kg)	Water Content (lt)	Fuel Type	Heat Outputs	
										Watts	BTU
GAI 0355180004	1800	355	4	445	30-50	105-125	18.0	2.5	C	1638	5589
GAI 0430180005	1800	430	5	520	30-50	105-125	22.2	3.2	C	2048	6987
GAI 0505180006	1800	505	6	595	30-50	105-125	26.4	3.8	C	2457	8384
GAI 0730060009	600	730	9	820	30-50	105-125	14.3	1.9	C	1229	4192
GAI 0880060011	600	880	11	970	30-50	105-125	17.3	2.3	C	1502	5124
GAI 1030060013	600	1030	13	1120	30-50	105-125	20.4	2.7	C	1775	6055

Please add finishing code  
at the end of the product code

Code example : GAI 0505180006 TXW

Fuel type i.e  
C: Central Heating  
E: Electrical Heating  
D: Dual Heating (C+E)



A full range of made to order sizes available.

Please ask for details.

Radiator width for made to order sizes  $((n - 2) \times 75) + 205$  mm

n = number of sections

Max. working pressure 10 bar

Max. working temperature 95 °C

Connections 1/2"

Section width 70 & 100 mm

Section depth 90 mm

Pipe center C1 W + 90 mm

# VESTA

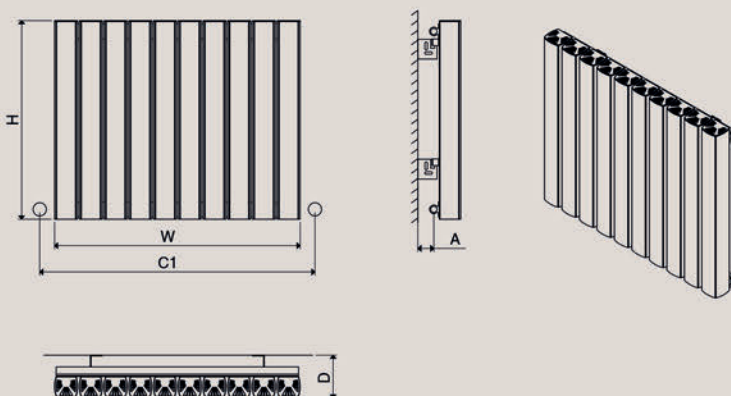
Material	Stock Finishes	Guarantee	Installation
Aluminium	PLS SEE COLOUR KEY CHART, PAGE 161	5 Years	Vertical Horizontal

PRODUCT CODE	Height (mm) H	Width (mm) W	Sections n	Pipe Centers (mm) C1	Wall to pipe Centers A (mm)	Wall Distance D (mm)	Nett Weight (kg)	Water Content (lt)	Fuel Type	Heat Outputs	
										Watts	BTU
VES 0295180004	1800	295	4	385	30-50	105-125	17.0	2.5	C	1919	6549
VES 0370180005	1800	370	5	460	30-50	105-125	21.2	3.2	C	2399	8186
VES 0445180006	1800	445	6	535	30-50	105-125	25.4	3.8	C	2879	9823
VES 0745060010	600	745	10	835	30-50	105-125	15.4	2.1	C	1599	5457
VES 0895060012	600	895	12	985	30-50	105-125	18.4	2.5	C	1919	6549
VES 1045060014	600	1045	14	1135	30-50	105-125	21.4	2.9	C	2239	7640

Please add finishing code  
at the end of the product code

Code example : VES 0295180004 TXW

Fuel type i.e  
C: Central Heating  
E: Electrical Heating  
D: Dual Heating (C+E)



A full range of made to order sizes available.

Please ask for details.

Radiator width for made to order sizes  $(n \times 75) - 5$  mm

n = number of sections

Max. working pressure 10 bar

Max. working temperature 95 °C

Connections 1/2"

Section width 70 mm

Section depth 90 mm

Pipe center C1 W + 90 mm

# WAVE

Material	Stock Finishes	Guarantee	Installation
Aluminium	PLS SEE COLOUR KEY CHART, PAGE 161	5 Years	Vertical Horizontal

PRODUCT CODE	Height (mm) H	Width (mm) W	Sections n	Pipe Centers (mm) C1	Wall to pipe Centers A (mm)	Wall Distance D (mm)	Nett Weight (kg)	Water Content (lt)	Fuel Type	Heat Outputs	
										Watts	BTU
WAV 0370180003	1800	370	3	460	30-50	85-105	13.9	1.4	C	1286	4389
WAV 0495180004	1800	495	4	585	30-50	85-105	18.5	1.9	C	1715	5851
WAV 0745060006	600	745	6	835	30-50	85-105	9.3	0.9	C	996	3399
WAV 0995060008	600	995	8	1085	30-50	85-105	12.4	1.2	C	1328	4533
WAV 1245060010	600	1245	10	1335	30-50	85-105	15.5	1.6	C	1660	5666

Please add finishing code at the end of the product code **Code example : WAV 0370180003 PLS**

Fuel type i.e C: Central Heating  
E: Electrical Heating  
D: Dual Heating (C+E)

A full range of made to order sizes available.

Please ask for details.

Radiator width for made to order sizes (n x 125) - 5 mm

n = number of sections

Max. working pressure 10 bar

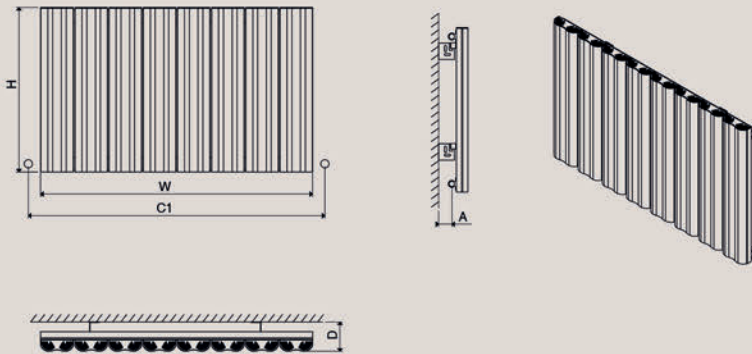
Max. working temperature 95 °C

Connections 1/2"

Section width 120 mm

Section depth 72 mm

Pipe center C1 W + 90 mm



# ELVINO

Material	Stock Finishes	Guarantee	Installation
Aluminium	PLS SEE COLOUR KEY CHART, PAGE 161	5 Years	Vertical Horizontal

PRODUCT CODE	Height (mm) H	Width (mm) W	Sections n	Pipe Centers (mm) C1	Wall to pipe Centers A (mm)	Wall Distance D (mm)	Nett Weight (kg)	Water Content (lt)	Fuel Type	Heat Outputs	
										Watts	BTU
ELV 0370180003	1800	370	3	460	30-50	85-105	17,9	1.4	C	1654	5644
ELV 0495180004	1800	495	4	585	30-50	85-105	23,8	1.9	C	2205	7523
ELV 0745060006	600	745	6	835	30-50	85-105	11,9	0,9	C	1281	4371
ELV 0995060008	600	995	8	1085	30-50	85-105	15,9	1,2	C	1708	5828
ELV 1245060010	600	1245	10	1335	30-50	85-105	19,9	1,6	C	2135	7285

Please add finishing code at the end of the product code **Code example : ELV 0370180003 TXB**

Fuel type i.e C: Central Heating  
E: Electrical Heating  
D: Dual Heating (C+E)

A full range of made to order sizes available.

Please ask for details.

Radiator width for made to order sizes (n x 125) - 5 mm

n = number of sections

Max. working pressure 10 bar

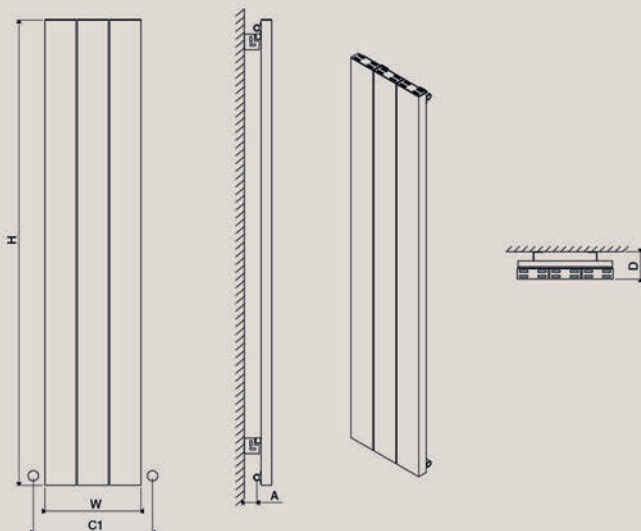
Max. working temperature 95 °C

Connections 1/2"

Section width 120 mm

Section depth 70 mm

Pipe center C1 W + 90 mm





# ELVINO FLOOR

Material	Stock Finishes	Guarantee	Installation
Aluminium	PLS SEE COLOUR KEY CHART, PAGE 161	5 Years	Horizontal

PRODUCT CODE	Height (mm) H	Width (mm) W	Sections n	Pipe Centers (mm) C1	Wall to pipe Centers A (mm)	Wall Distance D (mm)	Nett Weight (kg)	Water Content (lt)	Fuel Type	Heat Outputs	
										Watts	BTU
ELF 0995030008	300	995	8	1085	30-50	85-105	6.0	0.9	C	1708	5828
ELF 1245030010	300	1245	10	1335	30-50	85-105	8.0	1.1	C	2135	7285

Please add finishing code  
at the end of the product code

Code example : ELF 0995030008 TXW

Fuel type i.e. C: Central Heating  
E: Electrical Heating  
D: Dual Heating (C+E)

A full range of made to order sizes available.

Please ask for details.

Radiator width for made  
to order sizes

( n x 125 ) - 5 mm

n = number of sections

Max. working pressure

10 bar

Max. working temperature

95 °C

Connections

½"

Section width

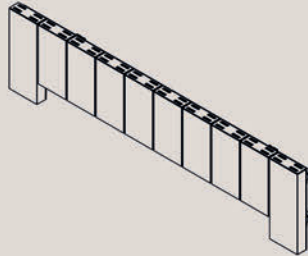
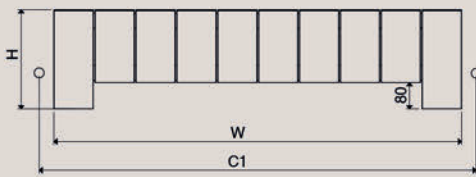
120 mm

Section depth

70 mm

Pipe center

C1 W + 90 mm



# SKULLY

Material	Stock Finishes	Guarantee	Installation
Aluminium	PLS SEE COLOUR KEY CHART, PAGE 161	5 Years	Vertical

PRODUCT CODE	Height (mm) H	Width (mm) W	Sections n	Pipe Centers (mm) C1	Wall to pipe Centers A (mm)	Wall Distance D (mm)	Nett Weight (kg)	Water Content (lt)	Fuel Type	Heat Outputs	
										Watts	BTU
SKU 0470180005	1800	470	5	560	30-50	120-140	17.0	2.5	C	1911	6521

Please add finishing code  
at the end of the product code

Code example : SKU 0470180005 TXB

Fuel type i.e. C: Central heating  
E: Electrical heating  
D: Dual heating (C+E)

Max. working pressure

10 bar

Max. working temperature

95 °C

Connections

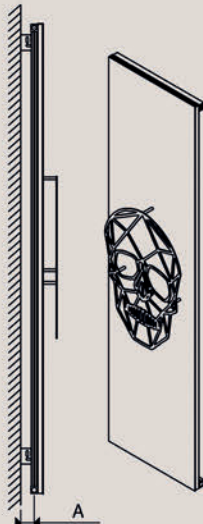
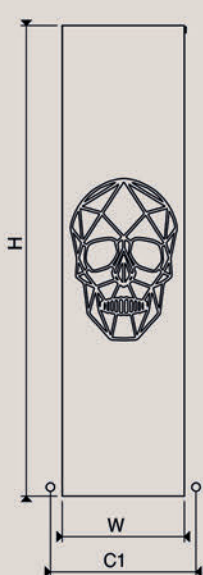
½"

Section depth

48 mm

Pipe center

C1 W + 90 mm



# MOTION

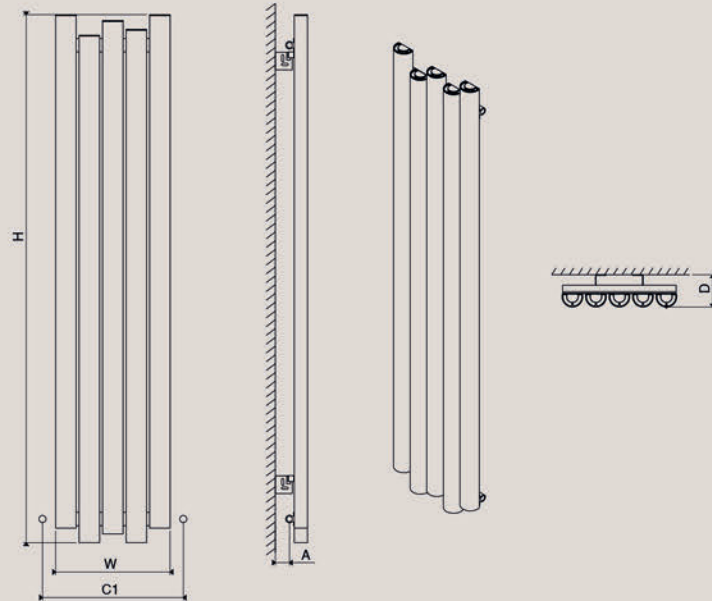
<b>Material</b> Aluminium	<b>Stock Finishes</b> PLS SEE COLOUR KEY CHART, PAGE 161	<b>Guarantee</b> 5 Years	<b>Installation</b> Vertical Horizontal
------------------------------	--	-----------------------------	---

PRODUCT CODE	Height (mm) H	Width (mm) W	Sections n	Pipe Centers (mm) C1	Wall to pipe Centers A (mm)	Wall Distance D (mm)	Nett Weight (kg)	Water Content (lt)	Fuel Type	Heat Outputs	
										Watts	BTU
MOT 0390180005	1800	390	5	480	30-50	90-110	14.6	2.9	C	2148	7328
MOT 0550180007	1800	550	7	640	30-50	90-110	20.4	4	C	3006	10258
MOT 0630060008	600	630	8	720	30-50	90-110	7.8	1.5	C	1146	3910
MOT 0950060012	600	950	12	1040	30-50	90-110	11.7	2.3	C	1717	5860

Please add finishing code at the end of the product code

Code example : MOT 0630060008 TXA

Fuel type i.e  
C: Central Heating  
E: Electrical Heating  
D: Dual Heating (C+E)



A full range of made to order sizes available.

Please ask for details.

Radiator width for made to order sizes (n x 80) - 10 mm

n = number of sections

Max. working pressure 10 bar

Max. working temperature 95 °C

Connections 1/2"

Section width 70 mm

Section depth 75 mm

Pipe center C1 W + 90 mm

# MOSCOW C

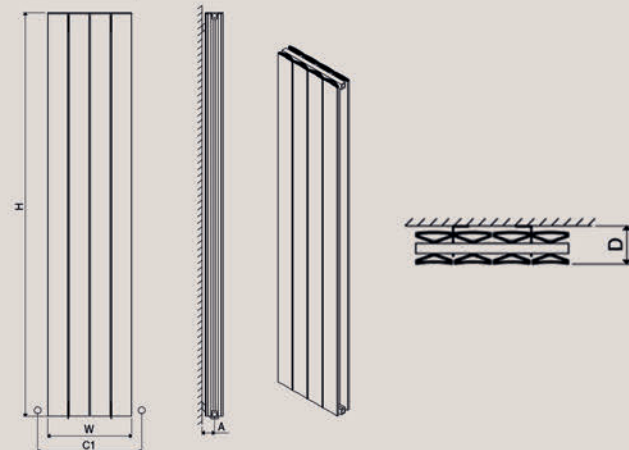
<b>Material</b> Aluminium	<b>Stock Finishes</b> PLS SEE COLOUR KEY CHART, PAGE 161	<b>Guarantee</b> 5 Years	<b>Installation</b> Vertical Horizontal
------------------------------	--	-----------------------------	---

PRODUCT CODE	Height (mm) H	Width (mm) W	Sections n	Pipe Centers (mm) C1	Wall to pipe Centers A (mm)	Wall Distance D (mm)	Nett Weight (kg)	Water Content (lt)	Fuel Type	Heat Outputs	
										Watts	BTU
MOC 0280180003	1800	280	3	370	55	97	11.8	1.4	C	1706	5822
MOC 0375180004	1800	375	4	465	55	97	15.5	1.9	C	2275	7763
MOC 0470180005	1800	470	5	560	55	97	19.3	2.4	C	2844	9704
MOC 0565180006	1800	565	6	655	55	97	23.0	2.9	C	3413	11644
MOC 0470060005	600	470	5	560	55	97	7.5	0.8	C	1008	3439
MOC 0660060007	600	660	7	750	55	97	10.3	1.1	C	1411	4815
MOC 0850060009	600	850	9	940	55	97	13.1	1.4	C	1814	6191
MOC 1040060011	600	1040	11	1130	55	97	15.9	1.8	C	2217	7566
MOC 1230060013	600	1230	13	1320	55	97	18.7	2.1	C	2621	8942

Please add finishing code at the end of the product code

Code example : MOC 0850060009 TXW

Fuel type i.e  
C: Central heating  
E: Electrical heating  
D: Dual heating (C+E)



A full range of made to order sizes available.

Please ask for details.

Radiator width for made to order sizes (n x 95) - 5 mm

n = number of sections

Max. working pressure 10 bar

Max. working temperature 95 °C

Connections 1/2"

Section width 90 mm

Section depth 80 mm

Pipe center C1 W + 90 mm

# MOSCOW D

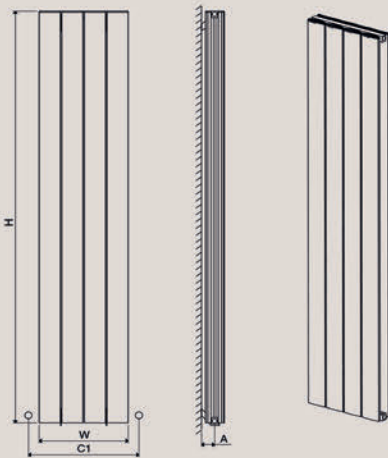
<b>Material</b> Aluminium	<b>Stock Finishes</b> PLS SEE COLOUR KEY CHART, PAGE 161	<b>Guarantee</b> 5 Years	<b>Installation</b> Vertical Horizontal
------------------------------	--	-----------------------------	---

PRODUCT CODE	Height (mm) H	Width (mm) W	Sections n	Pipe Centers (mm) C1	Wall to pipe Centers A (mm)	Wall Distance D (mm)	Nett Weight (kg)	Water Content (lt)	Fuel Type	Heat Outputs	
										Watts	BTU
MOD 0280180003	1800	280	3	370	55	97	11.8	1.4	C	1706	5822
MOD 0375180004	1800	375	4	465	55	97	15.5	1.9	C	2275	7763
MOD 0470180005	1800	470	5	560	55	97	19.3	2.4	C	2844	9704
MOD 0565180006	1800	565	6	655	55	97	23.0	2.9	C	3413	11644
MOD 0470060005	600	470	5	560	55	97	7.5	0.8	C	1008	3439
MOD 0660060007	600	660	7	750	55	97	10.3	1.1	C	1411	4815
MOD 0850060009	600	850	9	940	55	97	13.1	1.4	C	1814	6191
MOD 1040060011	600	1040	11	1130	55	97	15.9	1.8	C	2217	7566
MOD 1230060013	600	1230	13	1320	55	97	18.7	2.1	C	2621	8942

Please add finishing code at the end of the product code

Code example : MOD 0375180004 TXA

Fuel type i.e  
C: Central Heating  
E: Electrical Heating  
D: Dual Heating (C+E)



A full range of made to order sizes available.

Please ask for details.

Radiator width for made to order sizes ( n x 95 ) - 5 mm

n = number of sections

Max. working pressure 10 bar

Max. working temperature 95 °C

Connections 1/2"

Section width 90 mm

Section depth 80 mm

Pipe center C1 W + 90 mm

# MOSCOW

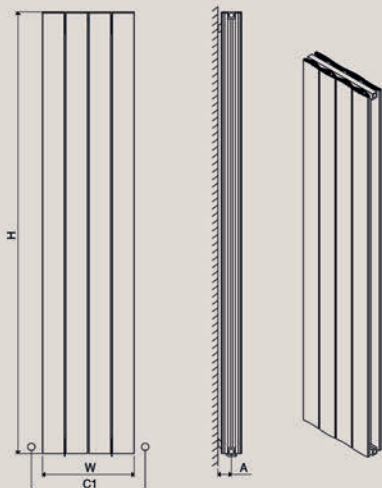
<b>Material</b> Aluminium	<b>Stock Finishes</b> PLS SEE COLOUR KEY CHART, PAGE 161	<b>Guarantee</b> 5 Years	<b>Installation</b> Vertical Horizontal
------------------------------	--	-----------------------------	---

PRODUCT CODE	Height (mm) H	Width (mm) W	Sections n	Pipe Centers (mm) C1	Wall to pipe Centers A (mm)	Wall Distance D (mm)	Nett Weight (kg)	Water Content (lt)	Fuel Type	Heat Outputs	
										Watts	BTU
MOS 0280180003	1800	280	3	370	55	97	11.8	1.4	C	1706	5822
MOS 0375180004	1800	375	4	465	55	97	15.5	1.9	C	2275	7763
MOS 0470180005	1800	470	5	560	55	97	19.3	2.4	C	2844	9704
MOS 0565180006	1800	565	6	655	55	97	23.0	2.9	C	3413	11644
MOS 0470060005	600	470	5	560	55	97	7.5	0.8	C	1008	3439
MOS 0660060007	600	660	7	750	55	97	10.3	1.1	C	1411	4815
MOS 0850060009	600	850	9	940	55	97	13.1	1.4	C	1814	6191
MOS 1040060011	600	1040	11	1130	55	97	15.9	1.8	C	2217	7566
MOS 1230060013	600	1230	13	1320	55	97	18.7	2.1	C	2621	8942

Please add finishing code at the end of the product code

Code example : MOS 0375180004 TXW

Fuel type i.e  
C: Central Heating  
E: Electrical Heating  
D: Dual Heating (C+E)



A full range of made to order sizes available.

Please ask for details.

Radiator width for made to order sizes ( n x 95 ) - 5 mm

n = number of sections

Max. working pressure 10 bar

Max. working temperature 95 °C

Connections 1/2"

Section width 90 mm

Section depth 80 mm

Pipe center C1 W + 90 mm



# SLIM

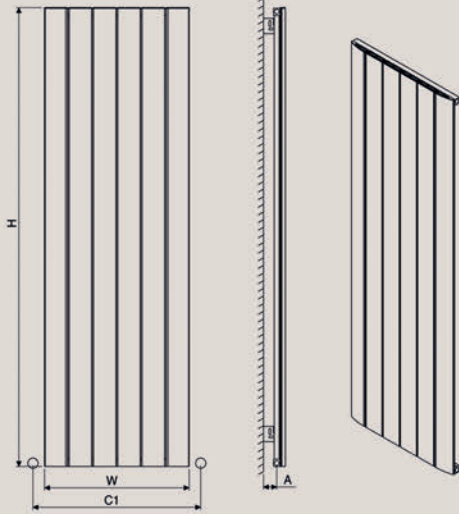
Material	Stock Finishes	Guarantee	Installation
Aluminium	PLS SEE COLOUR KEY CHART, PAGE 161	5 Years	Vertical Horizontal

PRODUCT CODE	Height (mm) H	Width (mm) W	Sections n	Pipe Centers (mm) C1	Wall to pipe Centers A (mm)	Wall Distance D (mm)	Nett Weight (kg)	Water Content (lt)	Fuel Type	Heat Outputs	
										Watts	BTU
SLM 0280180003	1800	280	3	370	30-50	60-80	6.9	1.5	C	1252	4273
SLM 0375180004	1800	375	4	465	30-50	60-80	9.2	2.0	C	1670	5698
SLM 0470180005	1800	470	5	560	30-50	60-80	11.5	2.5	C	2087	7122
SLM 0470060005	600	470	5	560	30-50	60-80	4.5	0.7	C	846	2886
SLM 0660060007	600	660	7	750	30-50	60-80	6.3	1.1	C	1184	4040
SLM 0850060009	600	850	9	940	30-50	60-80	8.1	1.4	C	1522	5194
SLM 1040060011	600	1040	11	1130	30-50	60-80	9.9	1.7	C	1862	6353
SLM 1230060013	600	1230	13	1320	30-50	60-80	11.8	2.1	C	2200	7507

Please add finishing code at the end of the product code

Code example : SLM 0375180004 TXG

Fuel type i.e. C: Central heating  
E: Electrical heating  
D: Dual heating (C+E)



A full range of made to order sizes available.

Please ask for details.

Radiator width for made to order sizes ( n x 95 ) - 5 mm

n = number of sections

Max. working pressure 10 bar

Max. working temperature 95 °C

Connections 1/2"

Section width 90 mm

Section depth 46 mm

Pipe center C1 W + 90 mm

# DUNE

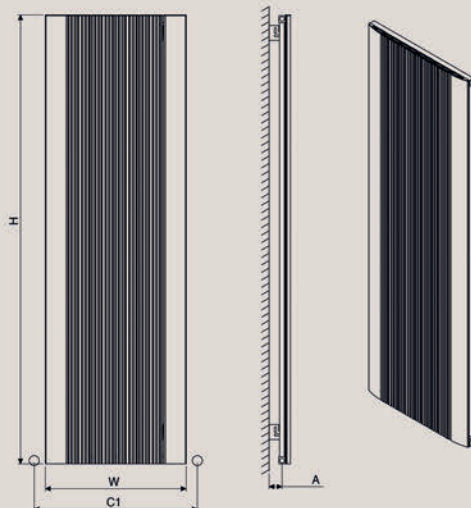
Material	Stock Finishes	Guarantee	Installation
Aluminium	PLS SEE COLOUR KEY CHART, PAGE 161	5 Years	Vertical Horizontal

PRODUCT CODE	Height (mm) H	Width (mm) W	Sections n	Pipe Centers (mm) C1	Wall to pipe Centers A (mm)	Wall Distance D (mm)	Nett Weight (kg)	Water Content (lt)	Fuel Type	Heat Outputs	
										Watts	BTU
DNE 0280180003	1800	280	3	370	30-50	60-80	6.9	1.5	C	986	3364
DNE 0375180004	1800	375	4	465	30-50	60-80	9.2	2.0	C	1509	5149
DNE 0470180005	1800	470	5	560	30-50	60-80	11.5	2.5	C	1911	6521
DNE 0470060005	600	470	5	560	30-50	60-80	4.5	1.0	C	965	3292
DNE 0660060007	600	660	7	750	30-50	60-80	6.4	1.1	C	1351	4609
DNE 0850060009	600	850	9	940	30-50	60-80	8.3	1.4	C	1737	5925
DNE 1040060011	600	1040	11	1130	30-50	60-80	10.1	1.7	C	2122	7241
DNE 1230060013	600	1230	13	1320	30-50	60-80	11.9	2.1	C	2508	8557

Please add finishing code at the end of the product code

Code example : DNE 0375180004 TXB

Fuel type i.e. C: Central Heating  
E: Electrical Heating  
D: Dual Heating (C+E)



A full range of made to order sizes available.

Please ask for details.

Radiator width for made to order sizes ( n x 95 ) - 5 mm

n = number of sections

Max. working pressure 10 bar

Max. working temperature 95 °C

Connections 1/2"

Section width 90 mm

Section depth 46 mm

Pipe center C1 W + 90 mm

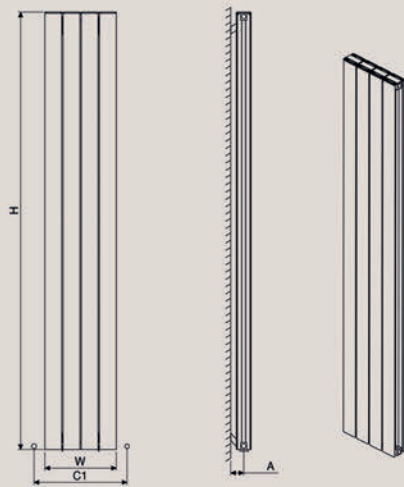
# FORCE

<b>Material</b>	<b>Stock Finishes</b>	<b>Guarantee</b>	<b>Installation</b>
Aluminium	PLS SEE COLOUR KEY CHART, PAGE 161	5 Years	Vertical Horizontal

PRODUCT CODE	Height (mm) H	Width (mm) W	Sections n	Pipe Centers (mm) C1	Wall to pipe	Wall	Nett	Water	Fuel	Heat Outputs	
					Centers	Distance				Weight	Content
					A (mm)	D (mm)	(kg)	(lt)			
FOR 0295180004	1800	295	4	385	55	84	8.0	1.3	C	941	3208
FOR 0370180005	1800	370	5	460	55	84	9.8	1.7	C	1176	4010
FOR 0445180006	1800	445	6	535	55	84	11.5	2.0	C	1411	4811
FOR 0595060008	600	595	8	685	55	84	6.6	1.0	C	1200	4092
FOR 0895060012	600	895	12	985	55	84	9.4	1.5	C	1794	6117
FOR 1195060016	600	1195	16	1285	55	84	12.2	2.0	C	2392	8157

Please add finishing code at the end of the product code **Code example : FOR 0295180004 TXW**

Fuel type i.e. C: Central heating  
E: Electrical heating  
D: Dual heating (C+E)



A full range of made to order sizes available.

Please ask for details.

Radiator width for made to order sizes ( n x 75 ) - 5 mm

n = number of sections

Max. working pressure 10 bar

Max. working temperature 95 °C

Connections 1/2"

Section width 70 mm

Section depth 60 mm

Pipe center C1 W + 90 mm

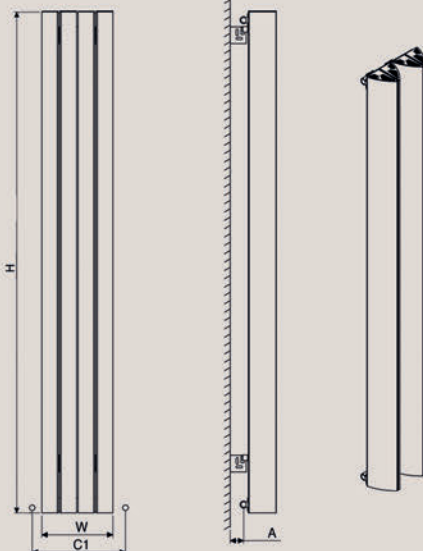
# SPADA

<b>Material</b>	<b>Stock Finishes</b>	<b>Guarantee</b>	<b>Installation</b>
Aluminium	PLS SEE COLOUR KEY CHART, PAGE 161	5 Years	Vertical Horizontal

PRODUCT CODE	Height (mm) H	Width (mm) W	Sections n	Pipe Centers (mm) C1	Wall to pipe	Wall	Nett	Water	Fuel	Heat Outputs	
					Centers	Distance				Weight	Content
					A (mm)	D (mm)	(kg)	(lt)			
SPA 0125180002	1800	125	2	215	30-50	145-165	9.7	1.3	C	905	3087
SPA 0255180004	1800	255	4	345	30-50	145-165	19.0	2.6	C	1817	6201
SPA 0385060006	600	385	6	475	30-50	145-165	10.6	1.3	C	900	3071
SPA 0515060008	600	515	8	605	30-50	145-165	14.1	1.7	C	1206	4116
SPA 0645060010	600	645	10	735	30-50	145-165	17.5	2.1	C	1508	5145
SPA 0775060012	600	775	12	865	30-50	145-165	21.0	2.5	C	1810	6174

Please add finishing code at the end of the product code **Code example : SPA 0125180002 TXW**

Fuel type i.e. C: Central Heating  
E: Electrical Heating  
D: Dual Heating (C+E)



A full range of made to order sizes available.

Please ask for details.

Radiator width for made to order sizes ( n x 65 ) - 5 mm

n = number of sections

Max. working pressure 10 bar

Max. working temperature 95 °C

connections 1/2"

Section width 60 mm

Section depth 125 mm

Pipe center C1 W + 90 mm

# MAGICO

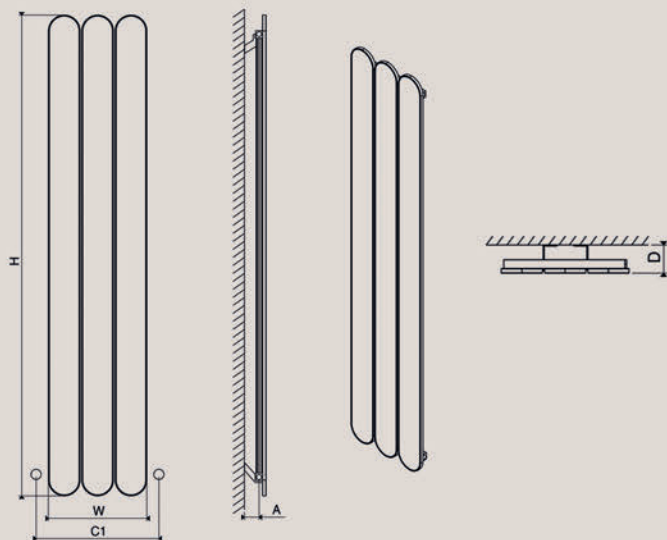
Material	Stock Finishes	Guarantee	Installation
Aluminium	PLS SEE COLOUR KEY CHART, PAGE 161	5 Years	Vertical Horizontal

PRODUCT CODE	Height (mm) H	Width (mm) W	Sections n	Pipe Centers (mm) C1	Wall to pipe Centers A(mm)	Wall Distance D(mm)	Nett Weight (kg)	Water Content (lt)	Fuel Type	Heat Outputs	
										Watts	BTU
MAG 0370180003	1800	370	3	460	55	82	10,6	1,7	C	850	2900
MAG 0495180004	1800	495	4	585	55	82	14,2	2,3	C	1133	3867
MAG 0745060006	600	745	6	835	55	82	7,8	1,2	C	610	2080
MAG 0995060008	600	995	8	1085	55	82	10,3	1,7	C	813	2773
MAG 1245060010	600	1245	10	1335	55	82	12,9	2,1	C	1016	3467

Please add finishing code at the end of the product code

Code example : MAG 0370180003 TXB

Fuel type i.e  
C: Central Heating  
E: Electrical Heating  
D: Dual Heating (C+E)



A full range of made to order sizes available.

Please ask for details.

Radiator width for made to order sizes ( n x 125 ) - 5mm

n = number of sections

Max. working pressure 10 bar

Max. working temperature 95 °C

Connections 1/2"

Section width 120 mm

Section depth 39 mm

Pipe center C1 W+90

# PIPETTE

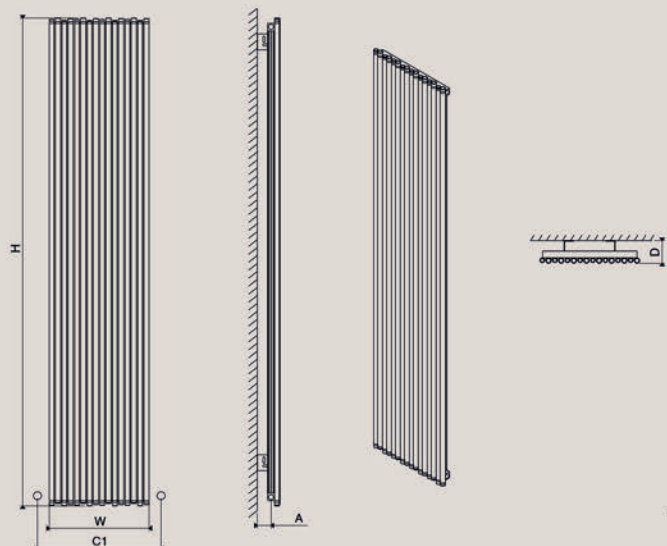
Material	Stock Finishes	Guarantee	Installation
Aluminium	PLS SEE COLOUR KEY CHART, PAGE 161	5 Years	Vertical Horizontal

PRODUCT CODE	Height (mm) H	Width (mm) W	Sections n	Pipe Centers (mm) C1	Wall to pipe Centers A (mm)	Wall Distance D (mm)	Nett Weight (kg)	Water Content (lt)	Fuel Type	Heat Outputs	
										Watts	BTU
PIP 0280180003	1800	280	3	370	30-50	65-85	9,9	1,7	C	855	2917
PIP 0375180004	1800	375	4	465	30-50	65-85	13,1	2,3	C	1140	3890
PIP 0470180005	1800	470	5	560	30-50	65-85	21,9	3,9	C	1425	4862
PIP 0660060007	600	660	7	750	30-50	65-85	8,1	1,4	C	754	2572
PIP 0850060009	600	850	9	940	30-50	65-85	10,5	1,8	C	969	3306
PIP 1040060011	600	1040	11	1130	30-50	65-85	12,8	2,2	C	1184	4041
PIP 1230060013	600	1230	13	1320	30-50	65-85	15,1	2,6	C	1400	4776

Please add finishing code at the end of the product code

Code example : PIP 0375180004 TXW

Fuel type i.e  
C: Central Heating  
E: Electrical Heating  
D: Dual Heating (C+E)



A full range of made to order sizes available.

Please ask for details.

Radiator width for made to order sizes ( n x 95 ) - 5 mm

n = number of sections

Max. working pressure 10 bar

Max. working temperature 95 °C

Connections 1/2"

Section width 90 mm

Section depth 46 mm

Pipe center C1 W + 90 mm



# BURANO

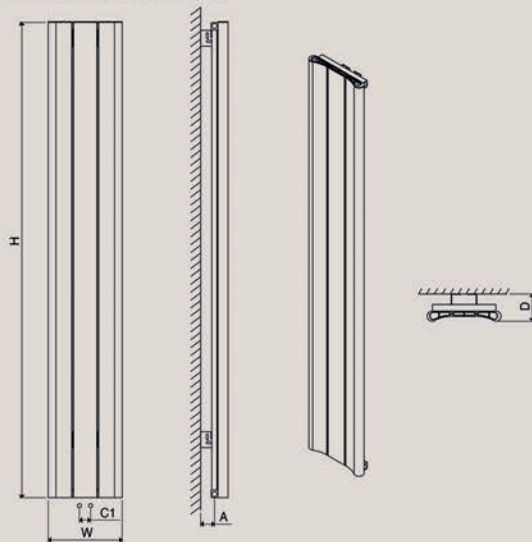
<b>Material</b>	<b>Stock Finishes</b>	<b>Guarantee</b>	<b>Installation</b>
Aluminium	PLS SEE COLOUR KEY CHART, PAGE 161	5 Years	Vertical Horizontal

PRODUCT CODE	Height (mm) H	Width (mm) W	Sections n	Pipe Centers (mm) C1	Wall to pipe Centers A (mm)	Wall Distance D (mm)	Nett Weight (kg)	Water Content (lt)	Fuel Type	Heat Outputs	
										Watts	BTU
BUR 0280180003	1800	280	3	50	30-50	83-103	7.1	1.5	C	1365	4658
BUR 0375180004	1800	375	4	50	30-50	83-103	9.5	2.0	C	1794	6120
BUR 0470180005	1800	470	5	50	30-50	83-103	11.8	2.5	C	2190	7474
BUR 0660060007	600	660	7	50	30-50	83-103	6.9	1.1	C	1271	4338
BUR 0850060009	600	850	9	50	30-50	83-103	8.4	1.4	C	1638	5589
BUR 1040060011	600	1040	11	50	30-50	83-103	10.4	1.7	C	1976	6743
BUR 1230060013	600	1230	13	50	30-50	83-103	12.4	2.1	C	2333	7962

Please add finishing code at the end of the product code

Code example : BUR 0850060009 TXA

Fuel type i.e  
C: Central Heating  
E: Electrical Heating  
D: Dual Heating (C+E)



A full range of made to order sizes available.

Please ask for details.

Radiator width for made to order sizes ( n x 95 ) - 5 mm

n = number of sections

Max. working pressure 10 bar

Max. working temperature 95 °C

Connections 1/2"

Section width 90 mm

Section depth 64 mm

Pipe center C1 50 mm

# BURANO C

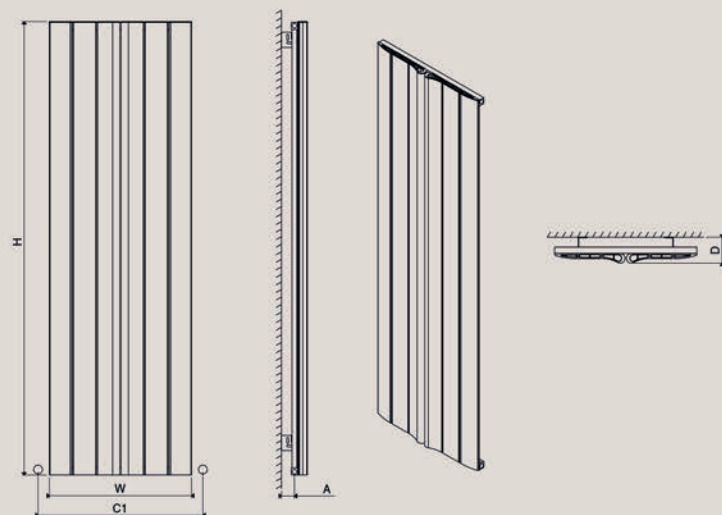
<b>Material</b>	<b>Stock Finishes</b>	<b>Guarantee</b>	<b>Installation</b>
Aluminium	PLS SEE COLOUR KEY CHART, PAGE 161	5 Years	Vertical Horizontal

PRODUCT CODE	Height (mm) H	Width (mm) W	Sections n	Pipe Centers (mm) C1	Wall to pipe Centers A (mm)	Wall Distance D (mm)	Nett Weight (kg)	Water Content (lt)	Fuel Type	Heat Outputs	
										Watts	BTU
BUC 0375180004	1800	375	4	465	30-50	83-103	9.6	2.0	C	1688	5760
BUC 0565180006	1800	565	6	655	30-50	83-103	14.5	3.0	C	2728	9307
BUR 0375160004	1600	375	4	465	30-50	83-103	8.5	1.8	C	1500	5120
BUC 0565160006	1600	565	6	655	30-50	83-103	12.9	2.7	C	2425	8273

Please add finishing code at the end of the product code

Code example : BUR 0375160004 TXA

Fuel type i.e  
C: Central Heating  
E: Electrical Heating  
D: Dual Heating (C+E)



A full range of made to order sizes available.

Please ask for details.

Radiator width for made to order sizes ( n x 95 ) - 5 mm

n = number of sections

Max. working pressure 10 bar

Max. working temperature 95 °C

Connections 1/2"

Section width 95 mm

Section depth 63 mm

Pipe center C1 W + 90 mm

# BURANOS

**Material**  
Aluminium

**Stock Finishes**  
PLS SEE COLOUR  
KEY CHART, PAGE 161

**Guarantee**  
5 Years

**Installation**  
Vertical  
Horizontal

PRODUCT CODE	Height (mm) H	Width (mm) W	Sections n	Pipe Centers (mm) C1	Wall to pipe Centers A (mm)	Wall Distance D (mm)	Nett Weight (kg)	Water Content (lt)	Fuel Type	Heat Outputs	
										Watts	BTU
BUS 0375180004	1800	375	4	50	30-50	83-103	10	2.0	C	1914	6532
BUS 0470180005	1800	470	5	50	30-50	83-103	12.4	2.5	C	2393	8164
BUS 0565180006	1800	565	6	50	30-50	83-103	14.9	3.0	C	2871	9797
BUS 0850060009	600	850	9	50	30-50	83-103	8.8	1.4	C	1748	5965
BUS 1040060011	600	1040	11	50	30-50	83-103	10.8	1.7	C	2137	7291
BUS 1230060013	600	1230	13	50	30-50	83-103	12.7	2.1	C	2525	8616

Please add finishing code at the end of the product code **Code example : BUR 0375180004 TXA**

Fuel type i.e  
C: Central Heating  
E: Electrical Heating  
D: Dual Heating (C+E)

A full range of made to order sizes available.

Please ask for details.

Radiator width for made to order sizes ( n x 95 ) - 5 mm

n = number of sections

Max. working pressure 10 bar

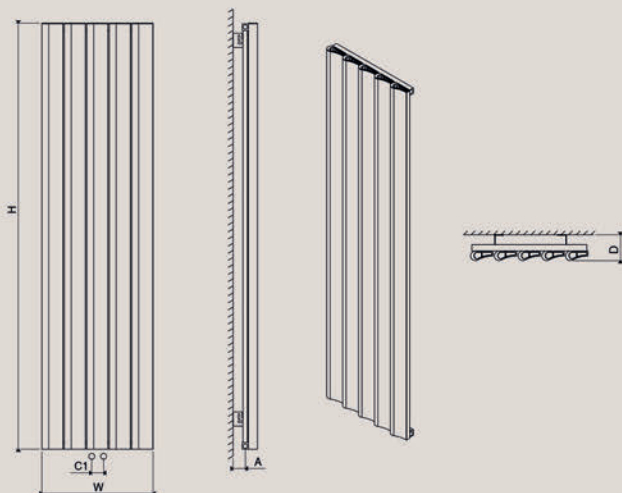
Max. working temperature 95 °C

Connections 1/2"

Section width 90 mm

Section depth 64 mm

Pipe center C1 50 mm



# CURVY

**Material**  
Aluminium

**Stock Finishes**  
PLS SEE COLOUR  
KEY CHART, PAGE 161

**Guarantee**  
5 Years

**Installation**  
Vertical  
Horizontal

PRODUCT CODE	Height (mm) H	Width (mm) W	Sections n	Pipe Centers (mm) C1	Wall to pipe Centers A (mm)	Wall Distance D (mm)	Nett Weight (kg)	Water Content (lt)	Fuel Type	Heat Outputs	
										Watts	BTU
CUR 0245180002	1800	245	2	50	40	90	8.2	1.2	C	794	2709
CUR 0370180003	1800	370	3	50	55	105	12.4	1.7	C	1191	4064
CUR 0495180004	1800	495	4	50	55	105	15.8	2.3	C	1471	5019
CUR 0620180005	1800	620	5	50	55	105	19.8	2.9	C	1839	6274
CUR 0745060006	600	745	6	50	55	105	7.9	1.2	C	2207	7529
CUR 0995060008	600	995	8	50	55	105	10.6	1.5	C	2942	10038
CUR 1245060010	600	1245	10	50	55	105	13.2	1.9	C	3678	12548

Please add finishing code at the end of the product code **Code example : CUR 0620180005 TXW**

Fuel type i.e  
C: Central Heating  
E: Electrical Heating  
D: Dual Heating (C+E)

A full range of made to order sizes available.

Please ask for details.

Radiator width for made to order sizes ( n x 125 ) - 5mm

n = number of sections

Max. working pressure 10 bar

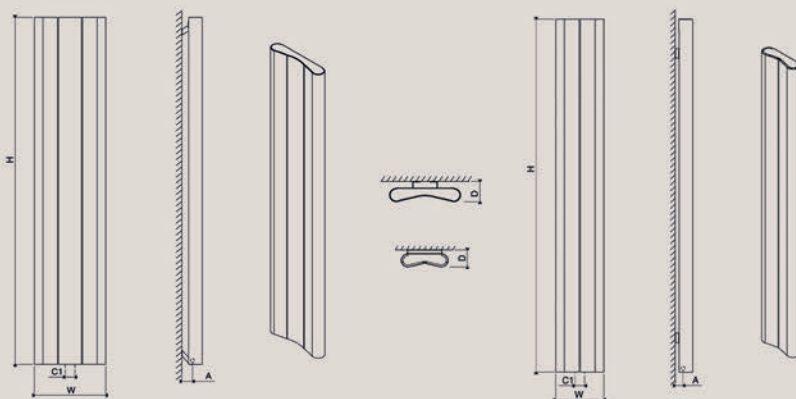
Max. working temperature 95 °C

Connections 1/2"

Section width 120 mm

Section depth 70 mm

Pipe center C1 50 mm



# JACOBS

Material	Stock Finishes	Guarantee	Installation
Aluminium	PLS SEE COLOUR KEY CHART, PAGE 161	5 Years	Vertical

PRODUCT CODE	Height (mm)	Width (mm)	Sections	Pipe Centers (mm)	Wall to pipe Centers	Wall Distance	Nett Weight	Water Content	Fuel Type	Heat Outputs	
	H	W	n	C1	A (mm)	D (mm)	(kg)	(lt)		Watts	BTU
JAW 0535200012	2000	535	12	515	67-87	111-131	12,3	1.8	D	889	3033
JAF 0535200012	2000	535	12	50-465	157	236	12,3	1.8	C	889	3033

Please add finishing code at the end of the product code

Code example : JAC 0535200012 TXA

Fuel type i.e C: Central Heating  
E: Electrical Heating  
D: Dual Heating (C+E)

A full range of made to order sizes available.

Please ask for details.

n = number of sections

Max. working pressure

10 bar

Max. working temperature

95 °C

Connections

½"

Section width

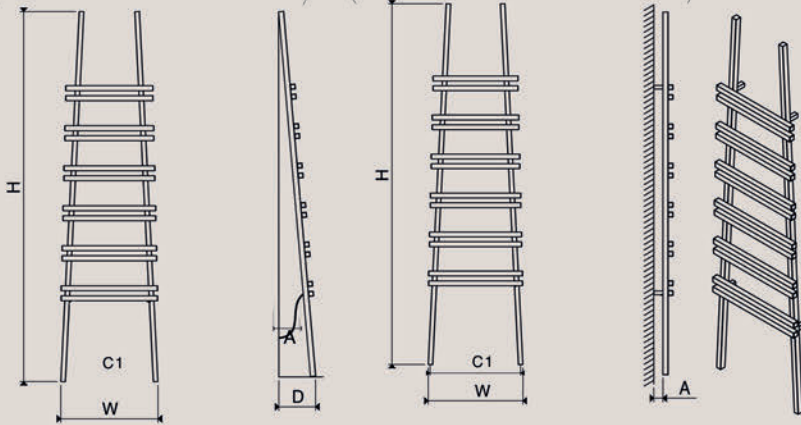
27 mm

Section depth

62 mm

JACOBS F

JACOBS W



# ELVINO BATH

Material	Stock Finishes	Guarantee	Installation
Aluminium	PLS SEE COLOUR KEY CHART, PAGE 161	5 Years	Vertical

PRODUCT CODE	Height (mm)	Width (mm)	Sections	Pipe Centers (mm)	Wall to pipe Centers	Wall Distance	Nett Weight	Water Content	Fuel Type	Heat Outputs	
	H	W	n	C1	A (mm)	D (mm)	(kg)	(lt)		Watts	BTU
ELB 0370080003	800	370	3	460	30-50	142-162	3.3	0.4	C	722	2464

Please add finishing code at the end of the product code

Code example : ELB 0370080003 TXW

Fuel type i.e C: Central Heating  
E: Electrical Heating  
D: Dual Heating (C+E)

A full range of made to order sizes available.

Please ask for details.

Radiator width for made to order sizes

( n x 125 ) - 5 mm

n = number of sections

Max. working pressure

10 bar

Max. working temperature

95 °C

Connections

½"

Section width

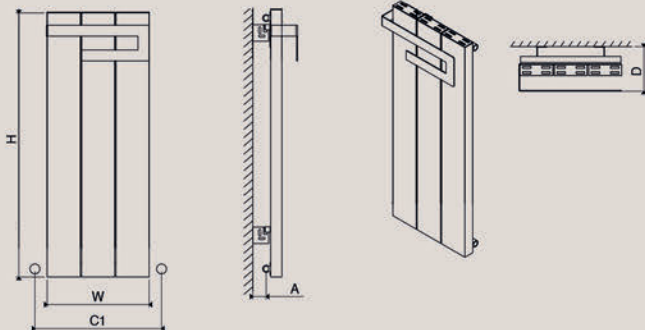
120 mm

Section depth

70 mm

Pipe center

C1 W + 90 mm





# ELVINO

## BATH MIRROR

Material	Stock Finishes	Guarantee	Installation
Aluminium	PLS SEE COLOUR KEY CHART, PAGE 161	5 Years	Vertical

PRODUCT CODE	Height (mm)	Width (mm)	Sections n	Pipe Centers (mm) C1	Wall to pipe Centers	Wall Distance	Nett Weight (kg)	Water Content (lt)	Fuel Type	Heat Outputs	
	H	W			A (mm)	D (mm)				Watts	BTU
EBM 0370180003	1800	370	3	460	30-50	142-162	17.9	1.4	D	1577	5381

Please add finishing code at the end of the product code

Code example : EBM 0370180003 PLS

Fuel type i.e  
C: Central Heating  
E: Electrical Heating  
D: Dual Heating (C+E)

A full range of made to order sizes available.

Please ask for details.

Radiator width for made to order sizes ( n x 125 ) - 5 mm

n = number of sections

Max. working pressure 10 bar

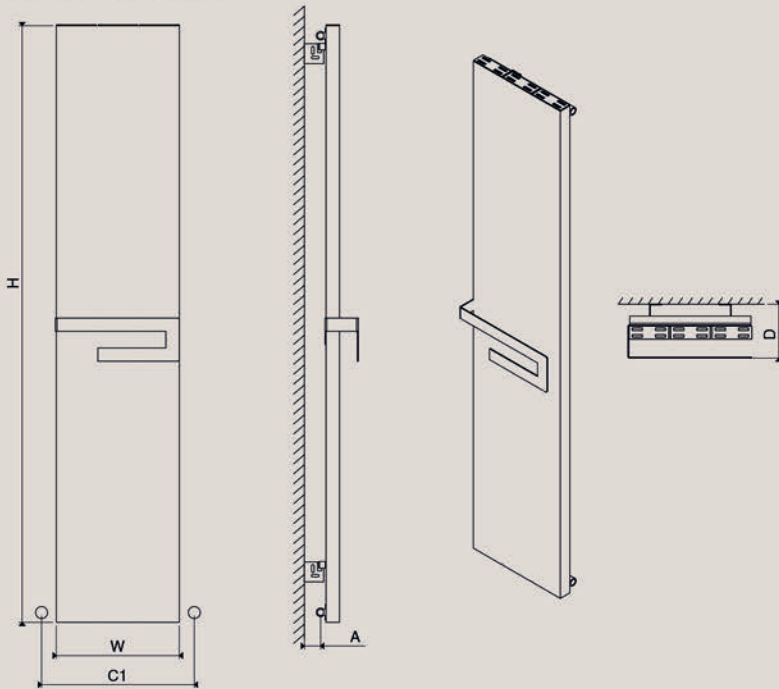
Max. working temperature 95 °C

Connections 1/2"

Section width 120 mm

Section depth 74 mm

Pipe center C1 W + 90 mm



# NIXIE

## BATH

Material	Stock Finishes	Guarantee	Installation
Aluminium	PLS SEE COLOUR KEY CHART, PAGE 161	5 Years	Vertical

PRODUCT CODE	Height (mm)	Width (mm)	Sections n	Pipe Centers (mm) C1	Wall to pipe Centers	Wall Distance	Nett Weight (kg)	Water Content (lt)	Fuel Type	Heat Outputs	
	H	W			A (mm)	D (mm)				Watts	BTU
NXB 0205120002	1200	205	2	50/295	30-50	135-155	6.5	0.9	D	603	2058
NXB 0205150002	1500	205	2	50/295	30-50	135-155	8.1	1.1	D	754	2573
NXB 0205180002	1800	205	2	50/295	30-50	135-155	9.7	1.3	D	905	3087

Please add finishing code at the end of the product code

Code example : NXB 0205150002 TXB

Fuel type i.e  
C: Central Heating  
E: Electrical Heating  
D: Dual Heating (C+E)

Bespoke height is possible.

Please ask for details.

n = number of sections

Max. working pressure 10 bar

Max. working temperature 95 °C

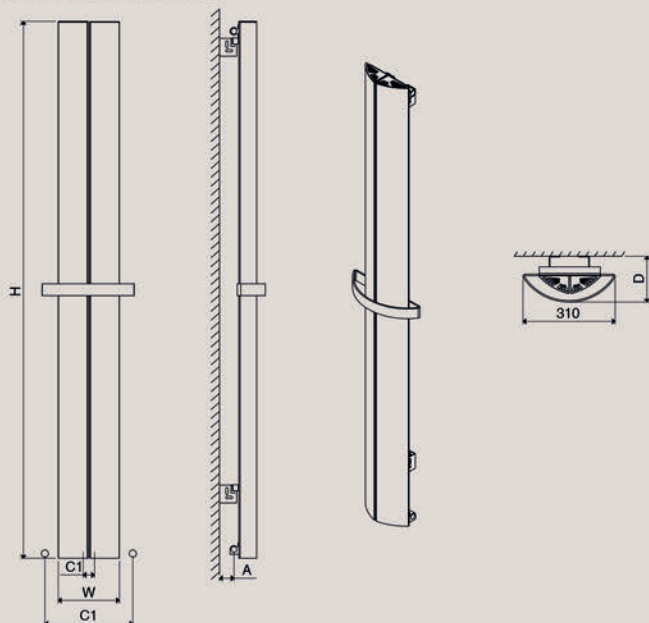
Connections 1/2"

Section width 100 mm

Section depth 90 mm

Pipe center C1 50 mm

C1 W + 90 mm



# ELLIPTIC BATH

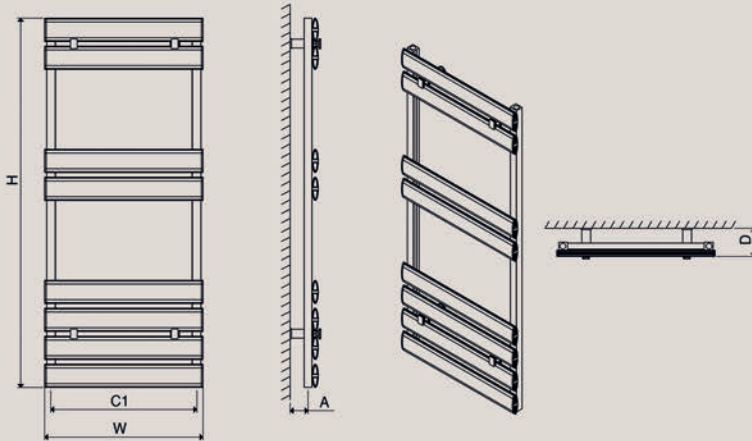
Material	Stock Finishes	Guarantee	Installation
Aluminium	PLS SEE COLOUR KEY CHART, PAGE 161	5 Years	Vertical

PRODUCT CODE	Height (mm) H	Width (mm) W	Sections n	Pipe Centers (mm) C1	Wall to pipe Centers A (mm)	Wall Distance D (mm)	Nett Weight (kg)	Water Content (lt)	Fuel Type	Heat Outputs	
										Watts	BTU
EPB 0500079006	790	500	6	475	57-77	91-111	5.2	1.0	D	524	1787
EPB 0500119008	1190	500	8	475	57-77	91-111	7.1	1.5	D	698	2383
EPB 0500159010	1590	500	10	475	57-77	91-111	9.1	2.0	D	873	2979

Please add finishing code  
at the end of the product code

Code example : EPB 0500159010 PLS

Fuel type i.e. C: Central heating  
E: Electrical heating  
D: Dual heating (C+E)



A full range of made to order sizes available.

Please ask for details.

n = number of sections

Max. working pressure

10 bar

Max. working temperature

95 °C

Connections

½"

Section width

75 mm

Section depth

46 mm

Pipe center

C1 W - 25 mm

# FAME

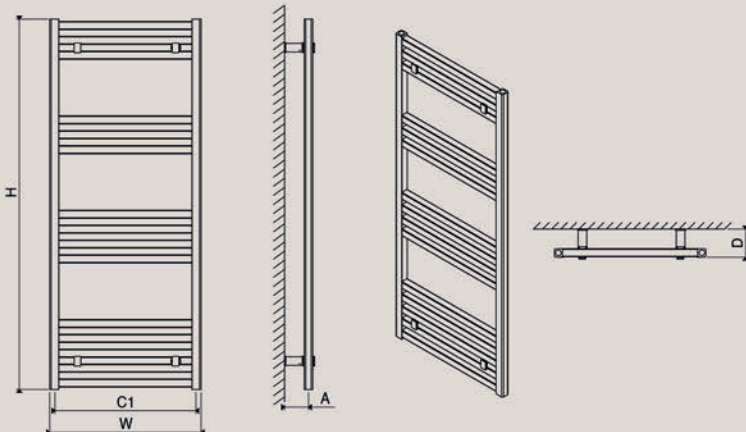
Material	Stock Finishes	Guarantee	Installation
Aluminium	PLS SEE COLOUR KEY CHART, PAGE 161	5 Years	Vertical

PRODUCT CODE	Height (mm) H	Width (mm) W	Sections n	Pipe Centers (mm) C1	Wall to pipe Centers A (mm)	Wall Distance D (mm)	Nett Weight (kg)	Water Content (lt)	Fuel Type	Heat Outputs	
										Watts	BTU
FME 0500070010	700	500	10	475	79-99	93-113	4.3	1.3	D	746	2546
FME 0500122015	1220	500	15	475	79-99	93-113	7.1	1.9	D	1121	3824
FME 0500146019	1460	500	19	475	79-99	93-113	8.7	2.4	D	1419	4842
FME 0500174022	1740	500	22	475	79-99	93-113	10.2	2.9	D	1643	5606

Please add finishing code  
at the end of the product code

Code example : FME 0500146019 TXB

Fuel type i.e. C: Central heating  
E: Electrical heating  
D: Dual heating (C+E)



A full range of made to order sizes available.

Please ask for details.

n = number of sections

Max. working pressure

10 bar

Max. working temperature

95 °C

Connections

½"

Section width

27 mm

Section depth

28 mm

Pipe center

C1 W - 25 mm

# FRAME HORIZONTAL

Material	Stock Finishes	Guarantee	Installation
Aluminium	PLS SEE COLOUR KEY CHART, PAGE 161	5 Years	Horizontal

PRODUCT CODE	Height (mm) H	Width (mm) W	Sections n	Pipe Centers (mm) C1	Wall to pipe Centers A (mm)	Wall Distance D (mm)	Nett Weight (kg)	Water Content (lt)	Fuel Type	Heat Outputs	
										Watts	BTU
FME 100040006	400	1000	6	975	79-99	93-113	5.1	1.5	C	460	1571

Please add finishing code at the end of the product code  
Code example : FME 100040006 PLS

Fuel type i.e. C: Central heating  
E: Electrical heating  
D: Dual heating (C+E)

A full range of made to order sizes available.

Please ask for details.

n = number of sections

Max. working pressure

10 bar

Max. working temperature

95 °C

Connections

1/2"

Section width

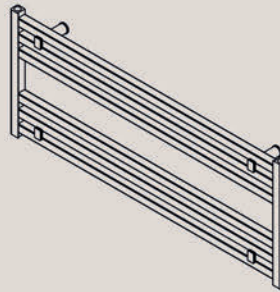
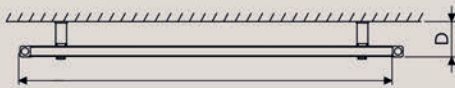
27 mm

Section depth

28 mm

Pipe center

C1 W - 25 mm



# FRAME

Material	Stock Finishes	Guarantee	Installation
Aluminium	PLS SEE COLOUR KEY CHART, PAGE 161	5 Years	Vertical

PRODUCT CODE	Height (mm) H	Width (mm) W	Sections n	Pipe Centers (mm) C1	Wall to pipe Centers A (mm)	Wall Distance D (mm)	Nett Weight (kg)	Water Content (lt)	Fuel Type	Heat Outputs	
										Watts	BTU
FRM 0500074008	740	500	8	475	79-99	93-113	3.9	1.1	D	651	2221
FRM 0500100811	1008	500	11	475	79-99	93-113	6.7	1.6	D	984	3358
FRM 0500127614	1276	500	14	475	79-99	93-113	7.2	2.1	D	1127	3845
FRM 0500154417	1544	500	17	475	79-99	93-113	8.4	2.7	D	1333	4549
FRM 0500181220	1812	500	20	475	79-99	93-113	9.6	3.2	D	1595	5443

Please add finishing code at the end of the product code  
Code example : FRM 0500181220 TXB

Fuel type i.e. C: Central Heating  
E: Electrical Heating  
D: Dual Heating (C+E)

A full range of made to order sizes available.

Please ask for details.

n = number of sections

Max. working pressure

10 bar

Max. working temperature

95 °C

Connections

1/2"

Section width

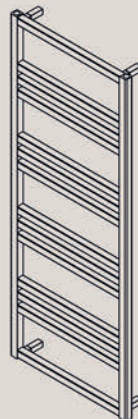
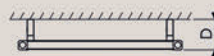
27 mm

Section depth

28 mm

Pipe center

C1 W-25 mm





# MAYA

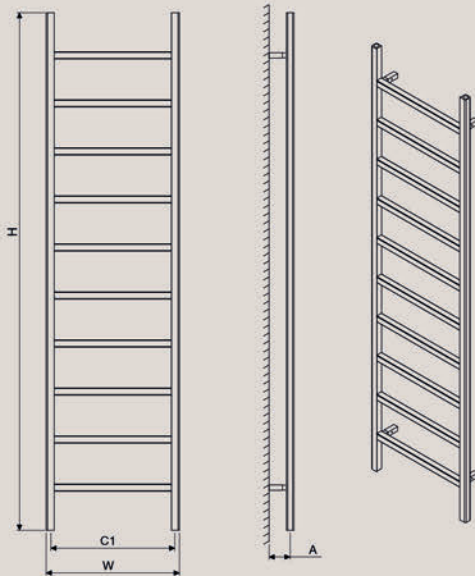
Material	Stock Finishes	Guarantee	Installation
Aluminium	PLS SEE COLOUR KEY CHART, PAGE 161	5 Years	Vertical

PRODUCT CODE	Height (mm) H	Width (mm) W	Sections n	Pipe Centers (mm) C1	Wall to pipe Centers A (mm)	Wall Distance D (mm)	Nett Weight (kg)	Water Content (lt)	Fuel Type	Heat Outputs	
										Watts	BTU
MAY 0500084004	840	500	4	475	79-99	93-113	3.7	1.0	D	298	1018
MAY 0500120006	1200	500	6	475	79-99	93-113	5.9	1.4	D	448	1527
MAY 0500156008	1560	500	8	475	79-99	93-113	6.5	1.9	D	597	2036
MAY 0500192010	1920	500	10	475	79-99	93-113	8.4	2.8	D	746	2546

Please add finishing code  
at the end of the product code

Code example : MAY 0500120006 TXB

Fuel type i.e. C: Central heating  
E: Electrical heating  
D: Dual heating (C+E)



A full range of made to order sizes available.

Please ask for details.

n = number of sections

Max. working pressure

10 bar

Max. working temperature

95 °C

Connections

1/2"

Section width

27 mm

Section depth

28 mm

Pipe center

C1 W - 25 mm

# UNICO

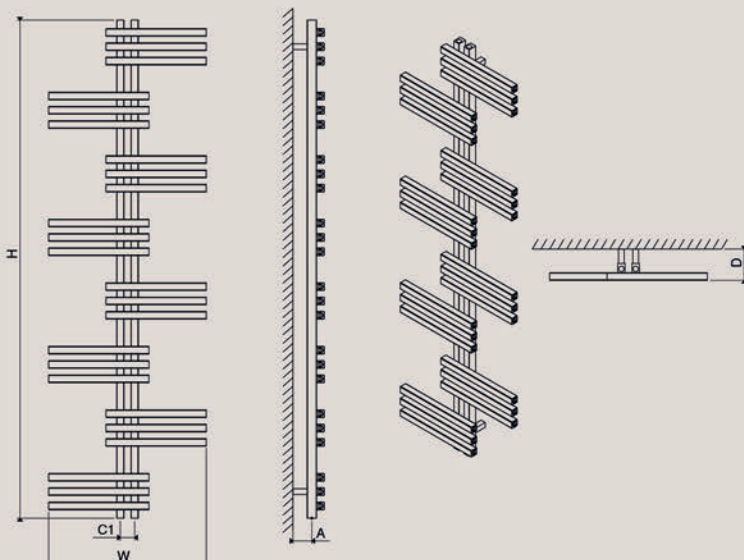
Material	Stock Finishes	Guarantee	Installation
Aluminium	PLS SEE COLOUR KEY CHART, PAGE 161	5 Years	Vertical

PRODUCT CODE	Height (mm) H	Width (mm) W	Sections n	Pipe Centers (mm) C1	Wall to pipe Centers A (mm)	Wall Distance D (mm)	Nett Weight (kg)	Water Content (lt)	Fuel Type	Heat Outputs	
										Watts	BTU
UNI 0500085212	852	500	12	50	66-86	109-129	8	1.2	D	638	2177
UNI 0500129618	1296	500	18	50	66-86	109-129	12	1.8	D	957	3266
UNI 0500174024	1740	500	24	50	66-86	109-129	16	2.4	D	1276	4354

Please add finishing code  
at the end of the product code

Code example : UNI 0500129618 TXB

Fuel type i.e. C: Central Heating  
E: Electrical Heating  
D: Dual Heating (C+E)



A full range of made to order sizes available.

Please ask for details.

n = number of sections

Max. working pressure

10 bar

Max. working temperature

95 °C

Connections

1/2"

Section width

27 mm

Section depth

61 mm

Pipe center

C1 50 mm

# TERRA

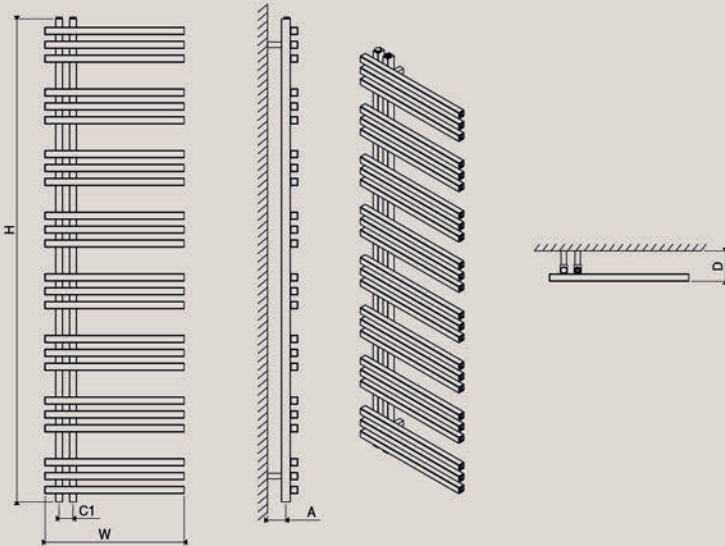
Material	Stock Finishes	Guarantee	Installation
Aluminium	PLS SEE COLOUR KEY CHART, PAGE 161	5 Years	Vertical

PRODUCT CODE	Height (mm) H	Width (mm) W	Sections n	Pipe Centers (mm) C1	Wall to pipe Centers A (mm)	Wall Distance D (mm)	Nett Weight (kg)	Water Content (lt)	Fuel Type	Heat Outputs	
										Watts	BTU
TER 0500085212	852	500	12	50	66-86	109-129	8	1.2	D	638	2177
TER 0500129618	1296	500	18	50	66-86	109-129	12	1.8	D	957	3266
TER 0500174024	1740	500	24	50	66-86	109-129	16	2.4	D	1276	4354

Please add finishing code  
at the end of the product code

Code example : TER 0500174024 TXB

Fuel type i.e C: Central Heating  
E: Electrical Heating  
D: Dual Heating (C+E)



A full range of made to order sizes available.

Please ask for details.

n = number of sections

Max. working pressure

10 bar

Max. working temperature

95 °C

Connections

1/2"

Section width

27 mm

Section depth

61 mm

Pipe center

C1 50 mm

# BARON

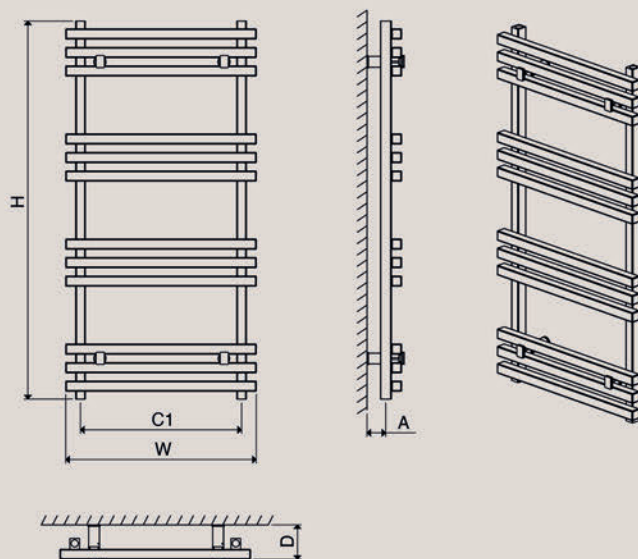
Material	Stock Finishes	Guarantee	Installation
Aluminium	PLS SEE COLOUR KEY CHART, PAGE 161	5 Years	Vertical

PRODUCT CODE	Height (mm) H	Width (mm) W	Sections n	Pipe Centers (mm) C1	Wall to pipe Centers A (mm)	Wall Distance D (mm)	Nett Weight (kg)	Water Content (lt)	Fuel Type	Heat Outputs	
										Watts	BTU
BRN 0500072009	720	500	9	400	50-70	92-112	5.9	1.3	D	603	2058
BRN 0500100012	1000	500	12	400	50-70	92-112	7.9	1.7	D	804	2744

Please add finishing code  
at the end of the product code

Code example : BRN 0500072009 PLS

Fuel type i.e C: Central Heating  
E: Electrical Heating  
D: Dual Heating (C+E)



A full range of made to order sizes available.

Please ask for details.

n = number of sections

Max. working pressure

10 bar

Max. working temperature

95 °C

Connections

1/2"

Section width

27 mm

Section depth

56 mm

Pipe center

C1 W - 100 mm

# AJAXI-II

<b>Material</b> Aluminium	<b>Stock Finishes</b> PLS SEE COLOUR KEY CHART, PAGE 161	<b>Guarantee</b> 5 Years	<b>Installation</b> Vertical
------------------------------	--	-----------------------------	---------------------------------

PRODUCT CODE	Height (mm) H	Width (mm) W	Sections n	Pipe Centers (mm) C1	Wall to pipe Centers A (mm)	Wall Distance D (mm)	Nett Weight (kg)	Water Content (lt)	Fuel Type	Heat Outputs	
										Watts	BTU
AJA 0600045001	450	600	1	425	79-99	120-140	3.1	0.6	C	190	650
AJA 0600045002	450	600	2	425	79-99	120-140	3.5	0.7	C	238	812

Please add finishing code at the end of the product code

Code example : AJA 0600045001 PLS

Fuel type i.e  
C: Central Heating  
E: Electrical Heating  
D: Dual Heating (C+E)

A full range of made to order sizes available.

Please ask for details.

n = number of sections

Max. working pressure

10 bar

Max. working temperature

95 °C

Connections

½"

Section width

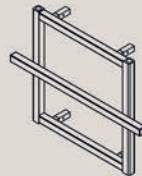
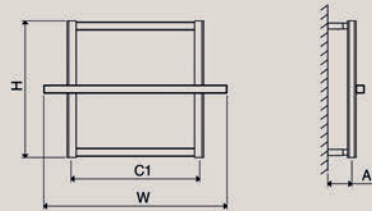
27 mm

Section depth

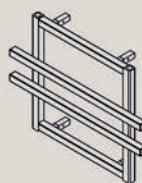
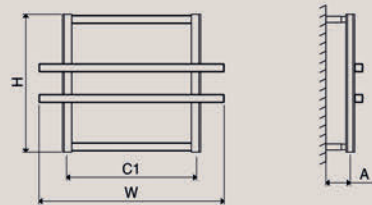
55 mm

Pipe center

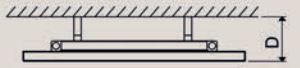
C1 W - 175 mm



## AJAXI



## AJAXII



# SOHO

<b>Material</b> Aluminium	<b>Stock Finishes</b> PLS SEE COLOUR KEY CHART, PAGE 161	<b>Guarantee</b> 5 Years	<b>Installation</b> Vertical
------------------------------	--	-----------------------------	---------------------------------

PRODUCT CODE	Height (mm) H	Width (mm) W	Sections n	Pipe Centers (mm) C1	Wall to pipe Centers A (mm)	Wall Distance D (mm)	Nett Weight (kg)	Water Content (lt)	Fuel Type	Heat Outputs	
										Watts	BTU
SOH 0500071506	715	500	6	475	78-93	93-108	3.9	0.9	D	394	1344
SOH 0500122511	1225	500	11	475	78-93	93-108	6.7	1.7	D	722	2464
SOH 0500148013	1480	500	13	475	78-93	93-108	7.9	2.0	D	854	2912
SOH 0500173515	1735	500	15	475	78-93	93-108	9.2	2.3	D	985	3360

Please add finishing code at the end of the product code

Code example : SOH 0500148013 PLS

Fuel type i.e  
C: Central Heating  
E: Electrical Heating  
D: Dual Heating (C+E)

A full range of made to order sizes available.

Please ask for details.

n = number of sections

Max. working pressure

10 bar

Max. working temperature

95 °C

Connections

½"

Section width

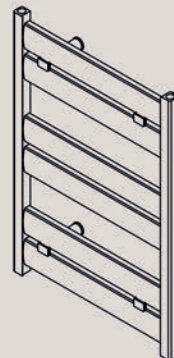
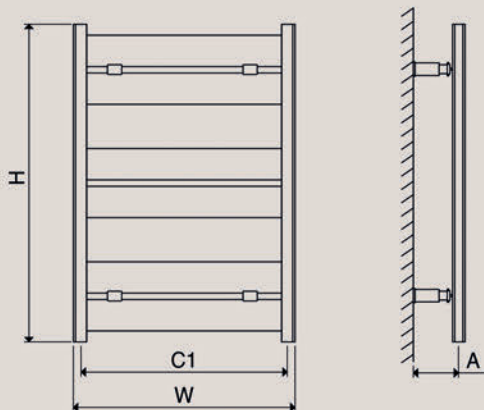
70 mm

Section depth

32 mm

Pipe center

C1 W - 25 mm





# LARA

Material	Stock Finishes	Guarantee	Installation
Aluminium	PLS SEE COLOUR KEY CHART, PAGE 161	5 Years	Vertical

PRODUCT CODE	Height (mm) H	Width (mm) W	Sections n	Pipe Centers (mm) C1	Wall to pipe Centers A (mm)	Wall Distance D (mm)	Nett Weight (kg)	Water Content (lt)	Fuel Type	Heat Outputs	
										Watts	BTU
LRA 0300080012	800	300	12	270	90-110	107-122	3.6	1.0	D	571	1950
LRA 0300102016	1020	300	16	270	90-110	107-122	4.8	1.3	D	762	2600
LRA 0300120019	1200	300	19	270	90-110	107-122	5.7	1.5	D	905	3087
LRA 0300140022	1400	300	22	270	90-110	107-122	6.6	1.8	D	1048	3575
LRA 0500080012	800	500	12	470	90-110	107-122	6.0	1.2	D	762	2600
LRA 0500102016	1020	500	16	470	90-110	107-122	8.0	1.6	D	1016	3466
LRA 0500120019	1200	500	19	470	90-110	107-122	9.5	1.9	D	1206	4116
LRA 0500140022	1400	500	22	470	90-110	107-122	11.0	2.2	D	1397	4766
LRA 0500180029	1800	500	29	470	90-110	107-122	14.5	2.9	D	1841	6283

Please add finishing code at the end of the product code

Code example : LRA 0500080012 TXB

Fuel type i.e C: Central Heating  
E: Electrical Heating  
D: Dual Heating (C+E)

A full range of made to order sizes available.

Please ask for details.

n = number of sections

Max. working pressure

10 bar

Max. working temperature

95 °C

Connections

½"

Section width

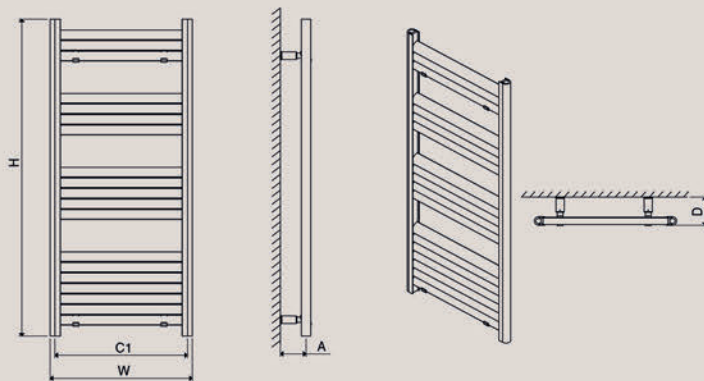
27 mm

Section depth

33 mm

Pipe center

C1 W - 30 mm



# CURVY BATH

Material	Stock Finishes	Guarantee	Installation
Aluminium	PLS SEE COLOUR KEY CHART, PAGE 161	5 Years	Vertical

PRODUCT CODE	Height (mm) H	Width (mm) W	Sections n	Pipe Centers (mm) C1	Wall to pipe Centers A (mm)	Wall Distance D (mm)	Nett Weight (kg)	Water Content (lt)	Fuel Type	Heat Outputs	
										Watts	BTU
CUB 0245100002	1000	245	2	50	40	90	4.6	0.5	C	455	1553
CUB 0245150002	1500	245	2	50	40	90	6.9	1.0	C	683	2329
CUB 0245180002	1800	245	2	50	40	90	8.2	1.2	C	793	2706
CUB 0245200002	2000	245	2	50	40	90	9.2	1.3	C	910	3105

Please add finishing code at the end of the product code

Code example : CUB 0245150002 TXLG

Fuel type i.e C: Central Heating  
E: Electrical Heating  
D: Dual Heating (C+E)

Bespoke height is possible.

Please ask for details.

n = number of sections

Max. working pressure

10 bar

Max. working temperature

95 °C

Connections

½"

Section width

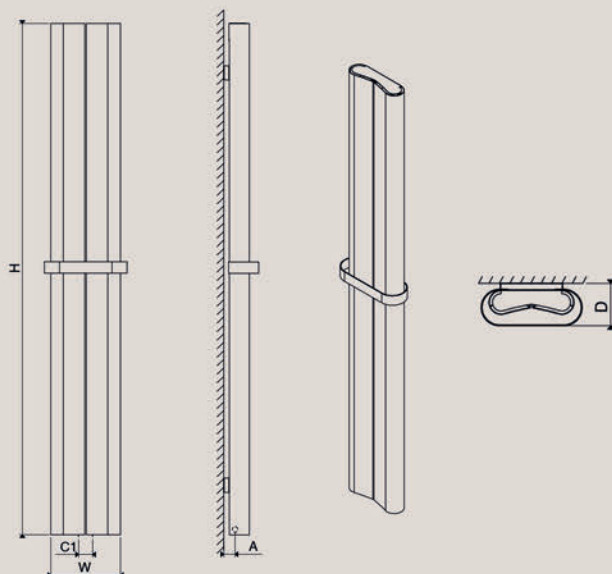
120 mm

Section depth

70 mm

Pipe center

C1 50 mm



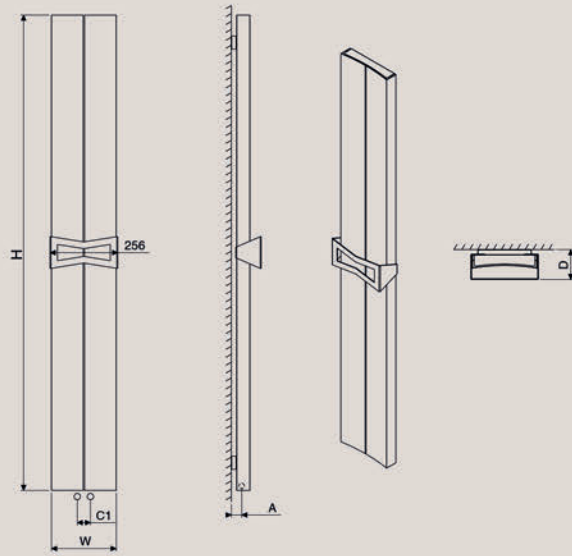
# PAPILLION BATH

Material	Stock Finishes	Guarantee	Installation
Aluminium	PLS SEE COLOUR KEY CHART, PAGE 161	5 Years	Vertical

PRODUCT CODE	Height (mm) H	Width (mm) W	Sections n	Pipe Centers (mm) C1	Wall to pipe Centers A(mm)	Wall Distance D (mm)	Nett Weight (kg)	Water Content (lt)	Fuel Type	Heat Outputs	
										Watts	BTU
PAB 0245100002	1000	245	2	50	40	113	4.6	0.5	C	455	1553
PAB 0245150002	1500	245	2	50	40	113	6.9	1.0	C	683	2329
PAB 0245180002	1800	245	2	50	40	113	8.2	1.2	C	793	2706
PAB 0245200002	2000	245	2	50	40	113	9.2	1.3	C	910	3105

Please add finishing code at the end of the product code **Code example : PAB 0245150002 TXLG**

Fuel type i.e  
C: Central Heating  
E: Electrical Heating  
D: Dual Heating (C+E)



Bespoke height is possible.

Please ask for details.

n = number of sections

Max. working pressure

10 bar

Max. working temperature

95 °C

Connections

½"

Section width

120 mm

Section depth

70 mm

Pipe center

C1 50 mm

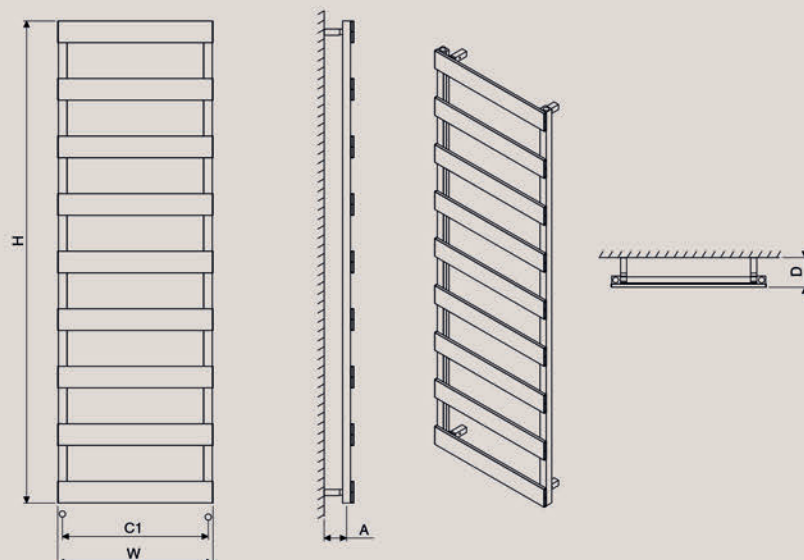
# NINOVA BATH

Material	Stock Finishes	Guarantee	Installation
Aluminium	PLS SEE COLOUR KEY CHART, PAGE 161	5 Years	Vertical

PRODUCT CODE	Height (mm) H	Width (mm) W	Sections n	Pipe Centers (mm) C1	Wall to pipe Centers A (mm)	Wall Distance D (mm)	Nett Weight (kg)	Water Content (lt)	Fuel Type	Heat Outputs	
										Watts	BTU
NIB 0500081005	810	500	5	475	72-92	95-115	7.2	0.8	D	444	1513
NIB 0500118007	1180	500	7	475	72-92	95-115	11.5	1.2	D	665	2270
NIB 0500155009	1550	500	9	475	72-92	95-115	15.6	1.7	D	887	3027
NIB 0500192011	1920	500	11	475	72-92	95-115	19	2.1	D	1109	3783

Please add finishing code at the end of the product code **Code example : NIB 0500070006 TXB**

Fuel type i.e  
C: Central Heating  
E: Electrical Heating  
D: Dual Heating (C+E)



A full range of made to order sizes available.

Please ask for details.

n = number of sections

Max. working pressure

10 bar

Max. working temperature

95 °C

Connections

½"

Section width

70 mm

Section depth

36 mm

Pipe center

C1 W - 25 mm

# ALYA BATH

Material	Stock Finishes	Guarantee	Installation
Aluminium	PLS SEE COLOUR KEY CHART, PAGE 161	5 Years	Vertical

PRODUCT CODE	Height (mm) H	Width (mm) W	Sections n	Pipe Centers (mm) C1	Wall to pipe Centers A (mm)	Wall Distance D (mm)	Nett Weight (kg)	Water Content (lt)	Fuel Type	Heat Outputs	
										Watts	BTU
ALB 0500081005	810	500	5	475	72-92	95-115	7.4	1.0	D	554	1892
ALB 0500118007	1180	500	7	475	72-92	95-115	11.9	1.3	D	832	2838
ALB 0500155009	1550	500	9	475	72-92	95-115	15.9	1.8	D	1109	3783
ALB 0500192011	1920	500	11	475	72-92	95-115	19.2	2.3	D	1386	4729

Please add finishing code at the end of the product code

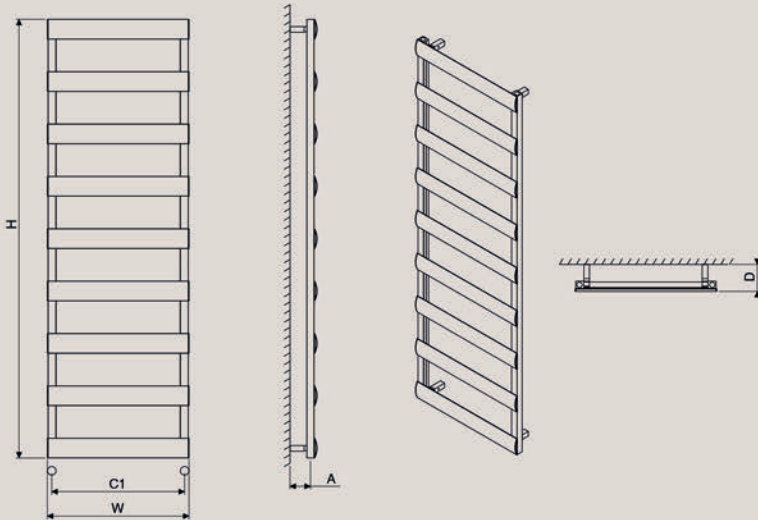
Code example : ALB 0500081005 TXB

Fuel type i.e. C: Central Heating  
E: Electrical Heating  
D: Dual Heating (C+E)

A full range of made to order sizes available.

Please ask for details.

n = number of sections	
Max. working pressure	10 bar
Max. working temperature	95 °C
Connections	½"
Section width	70 mm
Section depth	36 mm
Pipe center	C1 W - 25 mm



# MACK BATH

Material	Stock Finishes	Guarantee	Installation
Aluminium	PLS SEE COLOUR KEY CHART, PAGE 161	5 Years	Vertical

PRODUCT CODE	Height (mm) H	Width (mm) W	Sections n	Pipe Centers (mm) C1	Wall to pipe Centers A (mm)	Wall Distance D (mm)	Nett Weight (kg)	Water Content (lt)	Fuel Type	Heat Outputs	
										Watts	BTU
MCB 0500070006	700	500	6	475	79-99	93-113	7.8	0.9	D	499	1703
MCB 0500114509	1145	500	9	475	79-99	93-113	12	1.3	D	748	2554
MCB 0500159012	1590	500	12	475	79-99	93-113	16.2	1.8	D	998	3405
MCB 0500203515	2035	500	15	475	79-99	93-113	20.4	2.2	D	1247	4256

Please add finishing code at the end of the product code

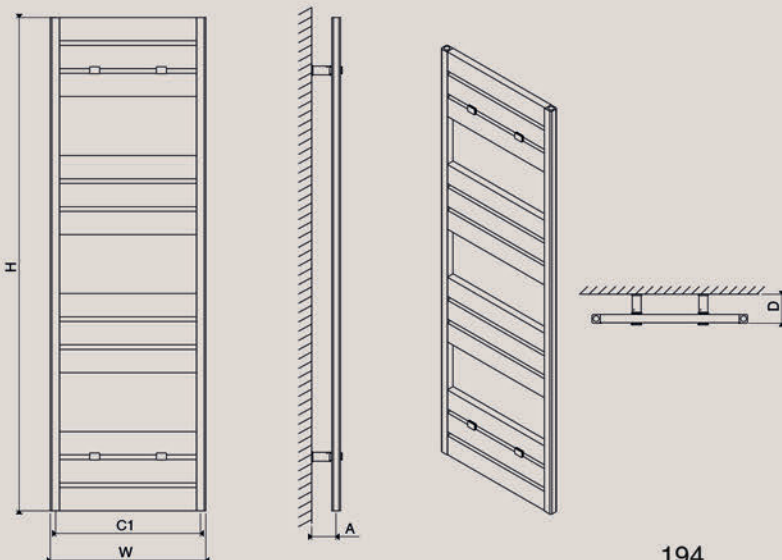
Code example : MCB 0500203515 TXA

Fuel type i.e. C: Central heating  
E: Electrical heating  
D: Dual heating (C+E)

A full range of made to order sizes available.

Please ask for details.

n = number of sections	
Max. working pressure	10 bar
Max. working temperature	95 °C
Connections	½"
Section width	75 mm
Section depth	32 mm
Pipe center	C1 W - 25 mm





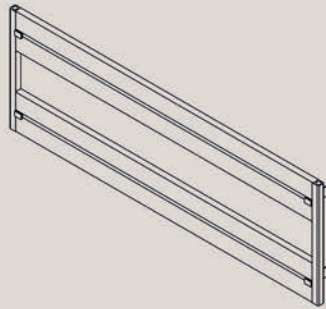
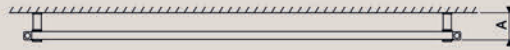
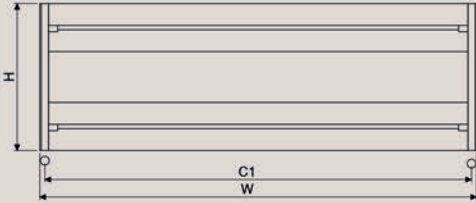
# MACK BATH HORIZONTAL

Material	Stock Finishes	Guarantee	Installation
Aluminium	PLS SEE COLOUR KEY CHART, PAGE 161	5 Years	Horizontal

PRODUCT CODE	Height (mm) H	Width (mm) W	Sections n	Pipe Centers (mm) C1	Wall to pipe Centers	Wall Distance	Nett Weight (kg)	Water Content (lt)	Fuel Type	Heat Outputs	
					A (mm)	D (mm)				Watts	BTU
MCB 1500050504	505	1500	4	1475	79-99	93-113	7.8	0.9	C	1027	3492
MCB 1800050504	505	1800	4	1775	79-99	93-113	12	1.3	C	1233	4191

Please add finishing code at the end of the product code  
**Code example : MCB 1500050504 TXA**

Fuel type i.e. C: Central heating  
 E: Electrical heating  
 D: Dual heating (C+E)



A full range of made to order sizes available.

Please ask for details.

n = number of sections

Max. working pressure

Max. working temperature

Connections

Section width

Section depth

Pipe center

10 bar

95 °C

½"

75 mm

32 mm

C1 W - 25 mm

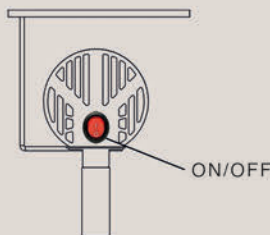
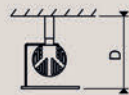
# OTTO SINGLE

Material	Stock Finishes	Guarantee	Installation
Aluminium	PLS SEE COLOUR KEY CHART, PAGE 161	2 Years	Vertical

PRODUCT CODE	Height (mm) H	Width (mm) W	Sections n	Wall Distance	Nett Weight (kg)	Fuel Type	Heat Outputs
				D (mm)			Watts
OTS 0075120001	1200	70	1	163-183	2.6	E	293

Please add finishing code at the end of the product code  
**Code example : OTS 0075120001 TXB**

Fuel type i.e. C: Central Heating  
 E: Electrical Heating  
 D: Dual Heating (C+E)



A full range of made to order sizes available.

Please ask for details.

n = number of sections

Max. working temperature

Section width

Section depth

95 °C

75 mm

70 mm

# ADAGIO

Material
Stainless Steel

Stock Finishes
PLS SEE COLOUR KEY CHART, PAGE 161

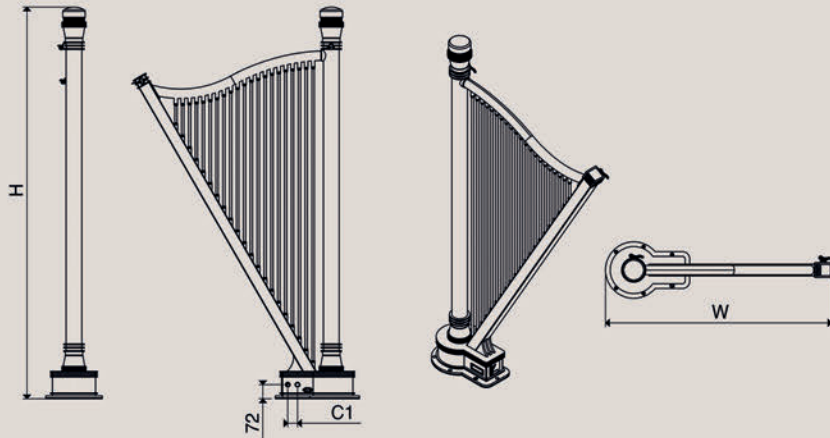
Guarantee
20 Years

Installation

PRODUCT CODE	Height (mm) H	Width (mm) W	Sections n	Pipe Centers (mm) C1	Wall to pipe Centers A (mm)	Wall Distance D (mm)	Nett Weight (kg)	Water Content (lt)	Fuel Type	Heat Outputs	
										Watts	BTU
ADA1150200021	2000	1150	21	50	-	-	37.0	8.1	D	1097	3744

Please add finishing code at the end of the product code **Code example : ADA 1150 2000 21 STP**

Fuel type i.e C: Central Heating  
E: Electrical Heating  
D: Dual Heating (C+E)



Max. working pressure 10 bar  
Max. working temperature 95 °C  
Connections 1/2"  
Pipe centers C1 50 mm

C1

# UNIQUE

Material
Stainless Steel

Stock Finishes
PLS SEE COLOUR KEY CHART, PAGE 161

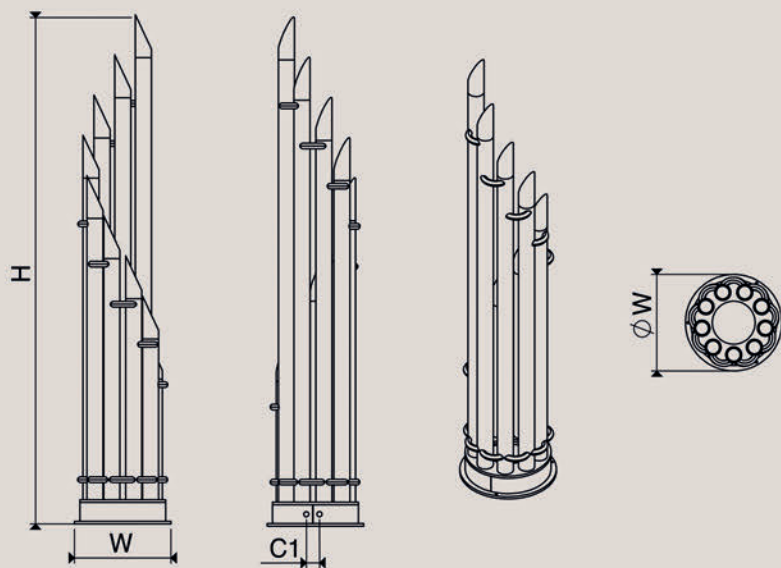
Guarantee
20 Years

Installation

PRODUCT CODE	Height (mm) H	Width (mm) W	Sections n	Pipe Centers (mm) C1	Wall to pipe Centers A (mm)	Wall Distance D (mm)	Nett Weight (kg)	Water Content (lt)	Fuel Type	Heat Outputs	
										Watts	BTU
UNQ 0360190009	1900	360	9	50	-	-	45.6	9.7	D	1058	3611

Please add finishing code at the end of the product code **Code example : UNQ 0360190009 STP**

Fuel type i.e C: Central Heating  
E: Electrical Heating  
D: Dual Heating (C+E)



A full range of made to order sizes available.  
Please ask for details.  
n = number of sections  
Max. working pressure 10 bar  
Max. working temperature 95 °C  
Connections 1/2"  
Pipe centers C1 50 mm

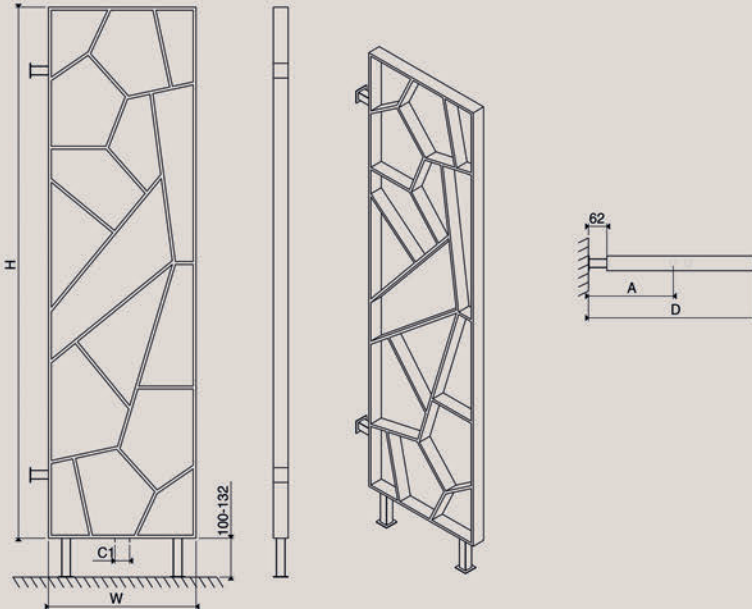
# TRIA

<b>Material</b> Stainless Steel	<b>Stock Finishes</b> PLS SEE COLOUR KEY CHART, PAGE 161	<b>Guarantee</b> 20 Years	<b>Installation</b> Vertical
------------------------------------	--	------------------------------	---------------------------------

PRODUCT CODE	Height (mm) H	Width (mm) W	Sections n	Pipe Centers (mm) C1	Wall to pipe Centers A (mm)	Wall Distance D (mm)	Nett Weight (kg)	Water Content (lt)	Fuel Type	Heat Outputs	
										Watts	BTU
TRA 0500180021	1800	500	21	50	287	562	15,8	6,5	C	1074	3664

Please add finishing code at the end of the product code **Code example : TRA 0500180021 STP**

Fuel type i.e  
C: Central Heating  
E: Electrical Heating  
D: Dual Heating (C+E)



n = number of sections  
 Max. working pressure 10 bar  
 Max. working temperature 95 °C  
 Connections ½"  
 Pipe centers C1 50 mm

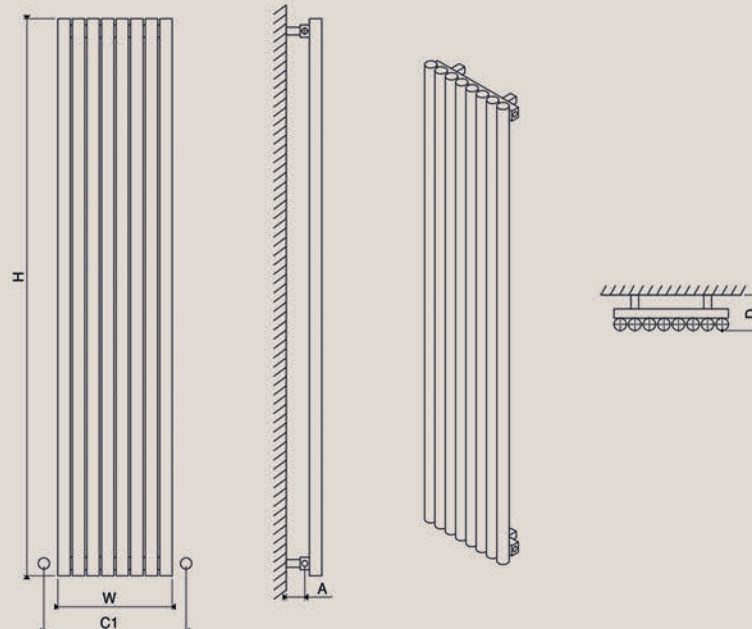
# VERSAILLES

<b>Material</b> Stainless Steel	<b>Stock Finishes</b> PLS SEE COLOUR KEY CHART, PAGE 161	<b>Guarantee</b> 20 Years	<b>Installation</b> Vertical
------------------------------------	--	------------------------------	---------------------------------

PRODUCT CODE	Height (mm) H	Width (mm) W	Sections n	Pipe Centers (mm) C1	Wall to pipe Centers A (mm)	Wall Distance D (mm)	Nett Weight (kg)	Water Content (lt)	Fuel Type	Heat Outputs	
										Watts	BTU
VER 0370100008	1000	370	8	460	60-75	115-130	14.8	13.5	D	469	1599
VER 0370150008	1500	370	8	460	60-75	115-130	22.0	19.5	D	703	2398
VER 0370180008	1800	370	8	460	60-75	115-130	26.2	23.1	D	843	2878
VER 0370200008	2000	370	8	460	60-75	115-130	28.8	26.2	D	937	3198

Please add finishing code at the end of the product code **Code example : VER 0370100008 MRP**

Fuel type i.e  
C: Central Heating  
E: Electrical Heating  
D: Dual Heating (C+E)



A full range of made to order sizes available.

Please ask for details.

n = number of sections  
 Max. working pressure 10 bar  
 Max. working temperature 95 °C  
 Connections ½"  
 Pipe centers C1 W+90mm



# FORTE

<b>Material</b>
Stainless Steel

<b>Stock Finishes</b>
PLS SEE COLOUR KEY CHART, PAGE 161

<b>Guarantee</b>
20 Years

<b>Installation</b>
Horizontal

PRODUCT CODE	Height (mm) H	Width (mm) W	Sections n	Pipe Centers (mm) C1	Wall to pipe Centers A (mm)	Wall Distance D (mm)	Nett Weight (kg)	Water Content (lt)	Fuel Type	Heat Outputs	
										Watts	BTU
FRT 0550060008	600	550	8	640	60-75	135-150	17,8	9,9	D	683	2332
FRT 0690060010	600	690	10	780	60-75	135-150	22,3	12,3	D	854	2915
FRT 0830060012	600	830	12	920	60-75	135-150	26,7	14,8	D	1025	3497
FRT 0970060014	600	970	14	1060	60-75	135-150	31,2	17,3	D	1196	4080
FRT 1110060016	600	1110	16	1200	60-75	135-150	35,6	19,7	D	1367	4663
FRT 1390060020	600	1390	20	1480	60-75	135-150	44,5	24,7	D	1708	5829

Please add finishing code at the end of the product code **Code example : FRT 0550060008 MRP**

Fuel type i.e C: Central Heating  
E: Electrical Heating  
D: Dual Heating (C+E)

A full range of made to order sizes available.

Please ask for details.

n = number of sections

Max. working pressure

10 bar

Max. working temperature

95 °C

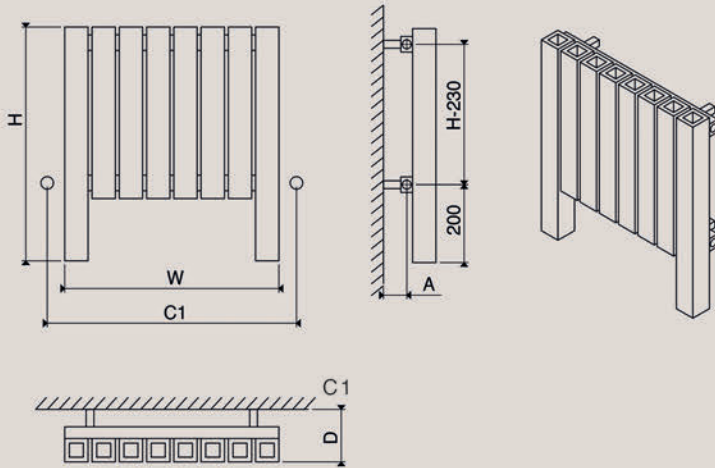
Connections

1/2"

Pipe centers

C1

W+90mm



# FUTURA

<b>Material</b>
Stainless Steel

<b>Stock Finishes</b>
PLS SEE COLOUR KEY CHART, PAGE 161

<b>Guarantee</b>
20 Years

<b>Installation</b>
Horizontal

PRODUCT CODE	Height (mm) H	Width (mm) W	Sections n	Pipe Centers (mm) C1	Wall to pipe Centers A (mm)	Wall Distance D (mm)	Nett Weight (kg)	Water Content (lt)	Fuel Type	Heat Outputs	
										Watts	BTU
FUT 0610076021	760	610	21	400	75-90	105-120	24,1	7,4	C	416	1419
FUT 0710076025	760	710	25	500	75-90	105-120	27,1	8,3	C	504	1719
FUT 0810076029	760	810	29	600	75-90	105-120	30,1	9,2	C	584	1992
FUT 0910076033	760	910	33	700	75-90	105-120	33,0	10,1	C	656	2238
FUT 1110076041	760	1110	41	900	75-90	105-120	38,7	11,5	C	814	2778

Please add finishing code at the end of the product code **Code example : FUT 0610076021 STP**

Fuel type i.e C: Central Heating  
E: Electrical Heating  
D: Dual Heating (C+E)

A full range of made to order sizes available.

Please ask for details.

n = number of sections

Max. working pressure

10 bar

Max. working temperature

95 °C

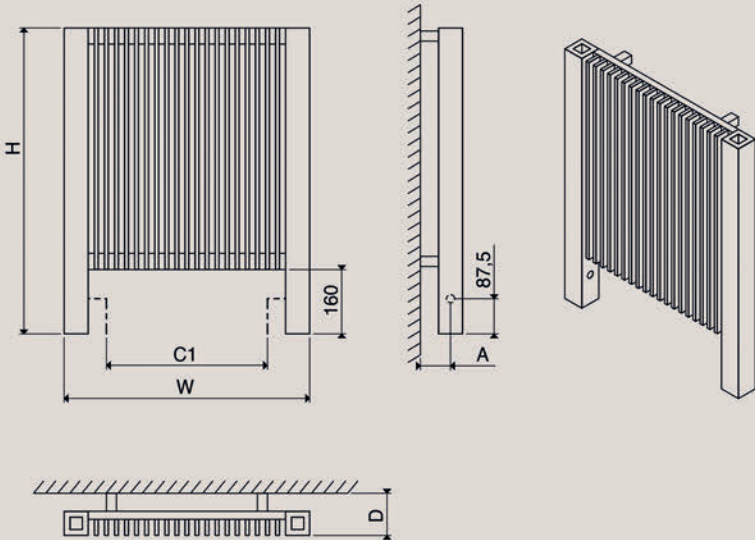
Connections

1/2"

Pipe centers

C1

W-210mm



# STRIPE

**Material**  
Stainless Steel

**Stock Finishes**  
PLS SEE COLOUR  
KEY CHART, PAGE 161

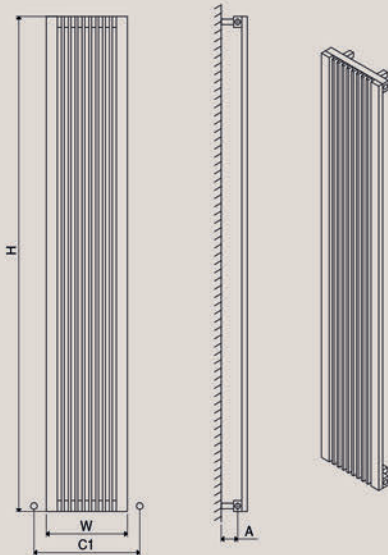
**Guarantee**  
20 Years

**Installation**  
Vertical  
Horizontal

PRODUCT CODE	Height (mm) H	Width (mm) W	Sections n	Pipe Centers (mm) C1	Wall to pipe Centers A (mm)	Wall Distance D (mm)	Nett Weight (kg)	Water Content (lt)	Fuel Type	Heat Outputs	
										Watts	BTU
SPE 0295180010	1800	295	10	385	60-75	85-100	21,1	5,3	D	586	1999
SPE 0395180014	1800	395	14	485	60-75	85-100	29,5	7,3	D	820	2798
SPE 0595060022	0600	595	22	685	60-75	85-100	16,5	4,7	D	730	2491
SPE 0795060030	0600	795	30	885	60-75	85-100	22,8	6,3	D	996	3397

Please add finishing code at the end of the product code **Code example : SPE 0295180010 STP**

Fuel type i.e C: Central Heating  
E: Electrical Heating  
D: Dual Heating (C+E)



A full range of made to order sizes available.

Please ask for details.

n = number of sections

Max. working pressure

10 bar

Max. working temperature

95 °C

Connections

1/2"

Pipe centers

C1

W+90mm

# SARP

**Material**  
Stainless Steel

**Stock Finishes**  
PLS SEE COLOUR  
KEY CHART, PAGE 161

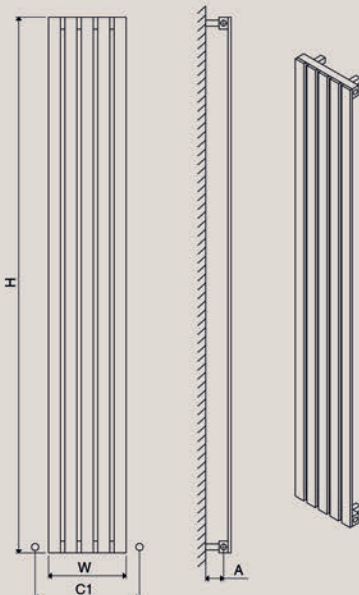
**Guarantee**  
20 Years

**Installation**  
Vertical  
Horizontal

PRODUCT CODE	Height (mm) H	Width (mm) W	Sections n	Pipe Centers (mm) C1	Wall to pipe Centers A (mm)	Wall Distance D (mm)	Nett Weight (kg)	Water Content (lt)	Fuel Type	Heat Outputs	
										Watts	BTU
SRP 0590060011	600	590	11	680	60-75	85-100	7.8	3.0	D	619	2112
SRP 0810060015	600	810	15	900	60-75	85-100	10.6	4,1	D	825	2816
SRP 0260180005	1800	260	5	350	60-75	85-100	8.9	3.0	D	635	2166
SRP 0370180007	1800	370	7	460	60-75	85-100	12.5	4.3	D	952	3250

Please add finishing code at the end of the product code **Code example : SRP 0810060015 MRP**

Fuel type i.e C: Central Heating  
E: Electrical Heating  
D: Dual Heating (C+E)



A full range of made to order sizes available.

Please ask for details.

n = number of sections

Max. working pressure

10 bar

Max. working temperature

95 °C

Connections

1/2"

Pipe centers

C1

W+90mm

# MISTRAL

**Material**  
Stainless Steel

**Stock Finishes**  
PLS SEE COLOUR  
KEY CHART, PAGE 161

**Guarantee**  
20 Years

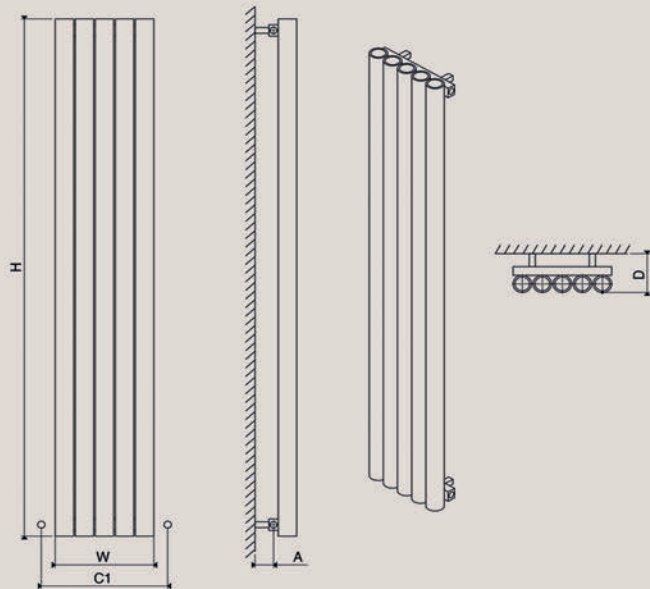
**Installation**  
Vertical

PRODUCT CODE	Height (mm) H	Width (mm) W	Sections n	Pipe Centers (mm) C1	Wall to pipe Centers A (mm)	Wall Distance D (mm)	Nett Weight (kg)	Water Content (lt)	Fuel Type	Heat Outputs	
										Watts	BTU
MIS 0320180005	1800	320	5	410	60-75	135-150	33.1	7.7	C	873	2978
MIS 0385180006	1800	385	6	475	60-75	135-150	39.7	9.3	C	1048	3577
MIS 0450180007	1800	450	7	540	60-75	135-150	46.3	10.9	C	1220	4164

Please add finishing code at the end of the product code

Code example : MIS 0320180005 MRP

Fuel type i.e C: Central Heating  
E: Electrical Heating  
D: Dual Heating (C+E)



A full range of made to order sizes available.

Please ask for details.

n = number of sections

Working pressure (max.) 10 bar

Working temperature (max.) 95 °C

Connections 1/2"

Pipe centers C1 W+90mm

# MISTRAL F

**Material**  
Stainless Steel

**Stock Finishes**  
PLS SEE COLOUR  
KEY CHART, PAGE 161

**Guarantee**  
20 Years

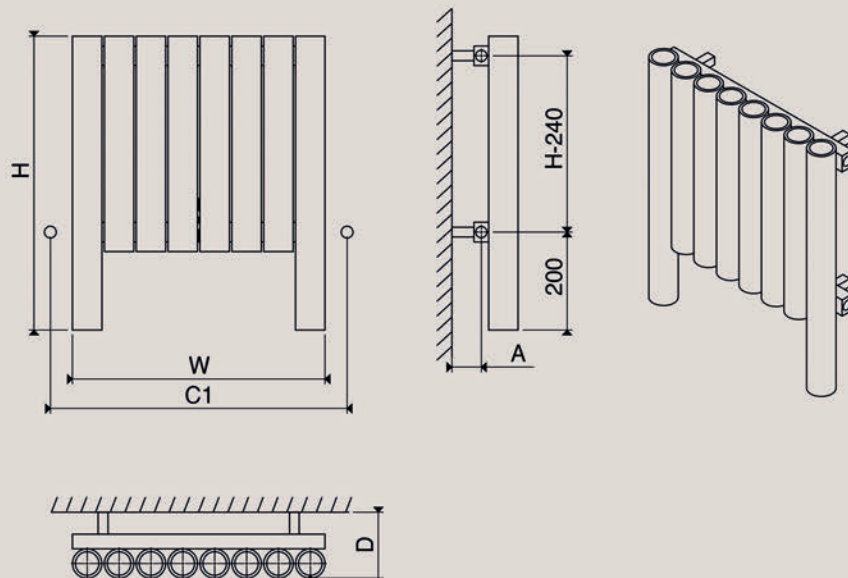
**Installation**  
Horizontal

PRODUCT CODE	Height (mm) H	Width (mm) W	Sections n	Pipe Centers (mm) C1	Wall to pipe Centers A (mm)	Wall Distance D (mm)	Nett Weight (kg)	Water Content (lt)	Fuel Type	Heat Outputs	
										Watts	BTU
MIF 0515076008	760	515	8	605	60-75	135-150	20.3	4.1	C	473	1615
MIF 0865076012	760	865	12	955	60-75	135-150	30.4	6.2	C	710	2423
MIF 1125076016	760	1125	16	1215	60-75	135-150	40.5	8.2	C	947	3230

Please add finishing code at the end of the product code

Code example : MIF 0515076008 STP

Fuel type i.e C: Central Heating  
E: Electrical Heating  
D: Dual Heating (C+E)



A full range of made to order sizes available.

Please ask for details.

n = number of sections

Working pressure (max.) 10 bar

Working temperature (max.) 95 °C

Connections 1/2"

Pipe centers C1 W+90mm



# PIANO

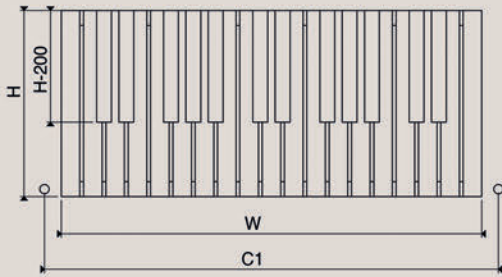
<b>Material</b>	<b>Stock Finishes</b>	<b>Guarantee</b>	<b>Installation</b>
Stainless Steel	PLS SEE COLOUR KEY CHART, PAGE 161	20 Years	Horizontal

PRODUCT CODE	Height (mm)	Width (mm)	Sections	Pipe Centers (mm)	Wall to pipe Centers	Wall Distance	Nett Weight	Water Content	Fuel Type	Heat Outputs	
	H	W	n	C1	A (mm)	D (mm)	(kg)	(lt)		Watts	BTU
PIA 1130050019	500	1130	19	1220	60-75	110-125	22.1	7.0	D	859	2931
PIA 1130060019	600	1130	19	1220	60-75	110-125	24.5	7.8	D	1031	3517

Please add finishing code at the end of the product code

Code example : PIA 1130050019 MRP

Fuel type i.e C: Central Heating  
E: Electrical Heating  
D: Dual Heating (C+E)



A full range of made to order sizes available.

Please ask for details.

n = number of sections

Working pressure (max.)

10 bar

Working temperature (max.)

95 °C

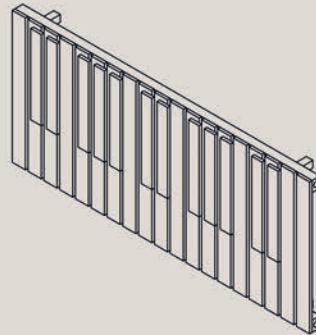
Connections

1/2"

Pipe centers

C1

W+90mm



# KEOPS

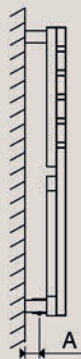
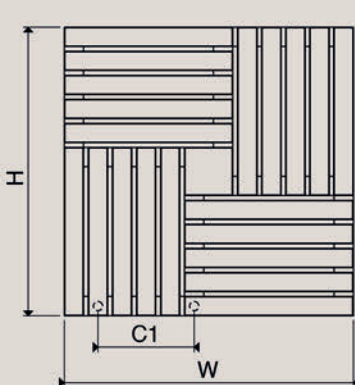
<b>Material</b>	<b>Stock Finishes</b>	<b>Guarantee</b>	<b>Installation</b>
Stainless Steel	PLS SEE COLOUR KEY CHART, PAGE 161	20 Years	Horizontal

PRODUCT CODE	Height (mm)	Width (mm)	Sections	Pipe Centers (mm)	Wall to pipe Centers	Wall Distance	Nett Weight	Water Content	Fuel Type	Heat Outputs	
	H	W	n	C1	A (mm)	D (mm)	(kg)	(lt)		Watts	BTU
KEO 0600060020	600	600	20	200	30-45	85-100	8.5	4.2	C	586	1999
KEO 0700070024	700	700	24	250	30-45	85-100	9.9	4.9	C	683	2332
KEO 0800080028	800	800	28	300	30-45	85-100	11.3	5.6	C	781	2665

Please add finishing code at the end of the product code

Code example : KEO 0800080028 STP

Fuel type i.e C: Central Heating  
E: Electrical Heating  
D: Dual Heating (C+E)



A full range of made to order sizes available.

Please ask for details.

n = number of sections

Working pressure (max.)

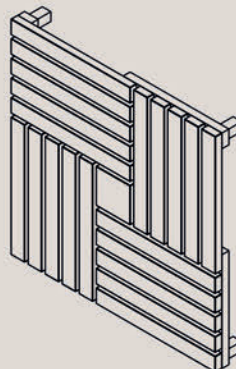
10 bar

Working temperature (max.)

95 °C

Connections

1/2"



# LINK

<b>Material</b>
Stainless Steel

<b>Stock Finishes</b>
PLS SEE COLOUR KEY CHART, PAGE 161

<b>Guarantee</b>
20 Years

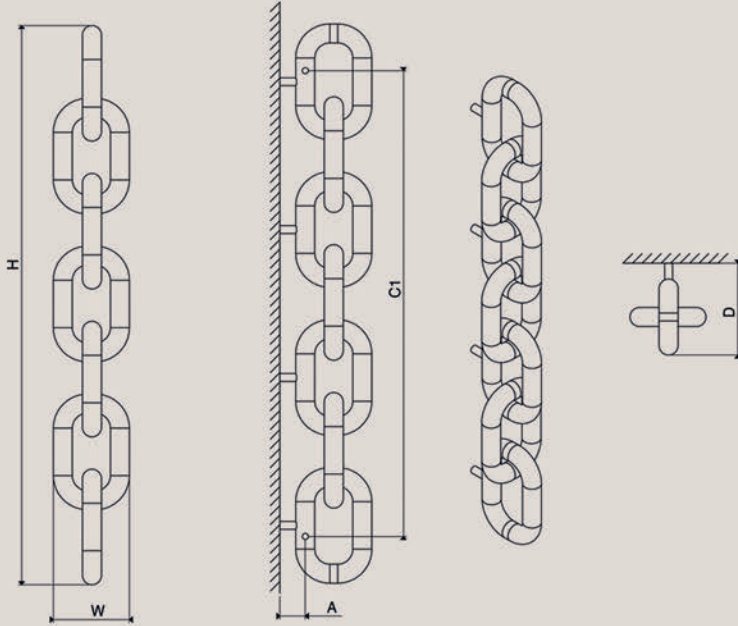
<b>Installation</b>
Vertical

PRODUCT CODE	Height (mm) H	Width (mm) W	Sections n	Pipe Centers (mm) C1	Wall to pipe Centers A (mm)	Wall Distance D (mm)	Nett Weight (kg)	Water Content (lt)	Fuel Type	Heat Outputs	
										Watts	BTU
LNK 0240083003	830	240	3	590	80-100	290-310	6.0	3.6	C	339	1155
LNK 0240130005	1300	240	5	1050	80-100	290-310	10.0	6.1	C	564	1925
LNK 0240183507	1835	240	7	1585	80-100	290-310	14.0	8.5	C	790	2695

Please add finishing code at the end of the product code

Code example : LNK 0240083003 STP

Fuel type i.e C: Central Heating  
E: Electrical Heating  
D: Dual Heating (C+E)



A full range of made to order sizes available.

Please ask for details.

n = number of sections

Max. working pressure

10 bar

Max. working temperature

95 °C

Connections

1/2"

# LINK FLOOR

<b>Material</b>
Stainless Steel

<b>Stock Finishes</b>
PLS SEE COLOUR KEY CHART, PAGE 161

<b>Guarantee</b>
20 Years

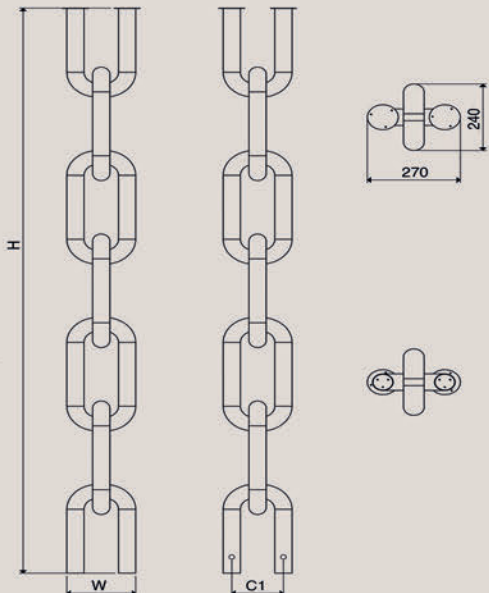
<b>Installation</b>
Vertical

PRODUCT CODE	Height (mm) H	Width (mm) W	Sections n	Pipe Centers (mm) C1	Wall to pipe Centers A (mm)	Wall Distance D (mm)	Nett Weight (kg)	Water Content (lt)	Fuel Type	Heat Outputs	
										Watts	BTU
LNF 0240230007	2300	240	7	180	-	240	18.5	10.4	C	966	3298

Please add finishing code at the end of the product code

Code example : LNF 0240230007 MRP

Fuel type i.e C: Central Heating  
E: Electrical Heating  
D: Dual Heating (C+E)



A full range of made to order sizes available.

Please ask for details.

n = number of sections

Working pressure (max.)

10 bar

Working temperature (max.)

95 °C

Connections

1/2"

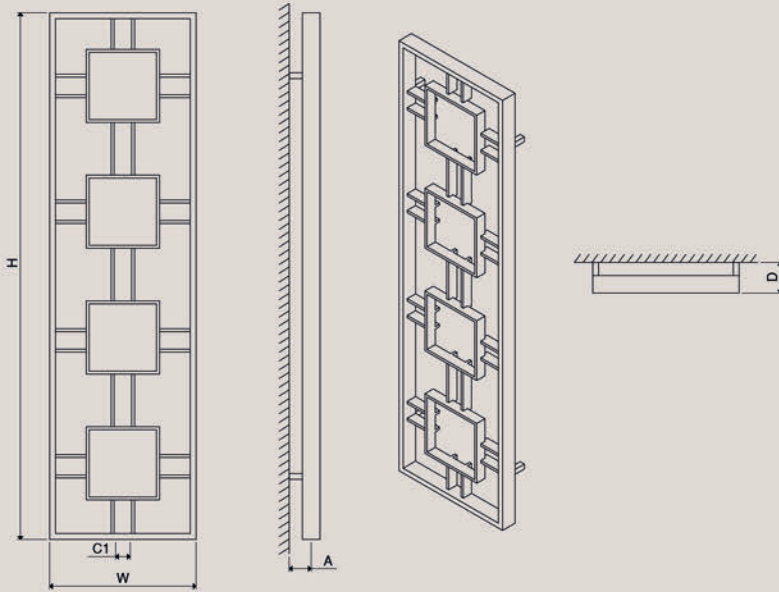
# SQUA

Material	Stock Finishes	Guarantee	Installation
Stainless Steel	PLS SEE COLOUR KEY CHART, PAGE 161	20 Years	Vertical

PRODUCT CODE	Height (mm) H	Width (mm) W	Sections n	Pipe Centers (mm) C1	Wall to pipe Centers A (mm)	Wall Distance D (mm)	Nett Weight (kg)	Water Content (lt)	Fuel Type	Heat Outputs	
										Watts	BTU
SQU 0500090002	900	500	2	50	75-90	105-120	6.5	1.9	C	743	2535
SQU 0500135003	1350	500	3	50	75-90	105-120	9.4	2.8	C	1114	3802
SQU 0500180004	1800	500	4	50	75-90	105-120	13.2	3.9	C	1486	5069

Please add finishing code at the end of the product code **Code example : SQU 0500135003 STP**

Fuel type i.e C: Central Heating  
E: Electrical Heating  
D: Dual Heating (C+E)



A full range of made to order sizes available.

Please ask for details.

n = number of sections

Max. working pressure

10 bar

Max. working temperature

95 °C

Connections

1/2"

Pipe center

C1 = 50 mm

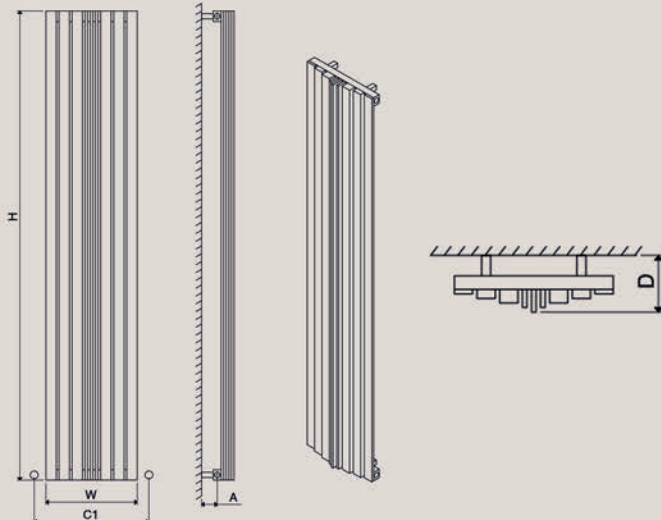
# ORIS

Material	Stock Finishes	Guarantee	Installation
Stainless Steel	PLS SEE COLOUR KEY CHART, PAGE 161	20 Years	Vertical

PRODUCT CODE	Height (mm) H	Width (mm) W	Sections n	Pipe Centers (mm) C1	Wall to pipe Centers A (mm)	Wall Distance D (mm)	Nett Weight (kg)	Water Content (lt)	Fuel Type	Heat Outputs	
										Watts	BTU
ORI 0350100009	1000	350	9	440	60-75	125-140	7.5	2.6	D	594	2026
ORI 0350150009	1500	350	9	440	60-75	125-140	11.3	3.9	D	890	3038
ORI 0350180009	1800	350	9	440	60-75	125-140	13.5	4.7	D	1069	3646
ORI 0350200009	2000	350	9	440	60-75	125-140	15.0	5.2	D	1187	4051

Please add finishing code at the end of the product code **Code example : ORI 0350150009 STP**

Fuel type i.e C: Central Heating  
E: Electrical Heating  
D: Dual Heating (C+E)



A full range of made to order sizes available.

Please ask for details.

n = number of sections

Max. working pressure

10 bar

Max. working temperature

95 °C

Connections

1/2"

Pipe center

C1 = W + 90 mm



# AREN

## Material

Stainless Steel

## Stock Finishes

PLS SEE COLOUR  
KEY CHART, PAGE 161

## Guarantee

20 Years

## Installation

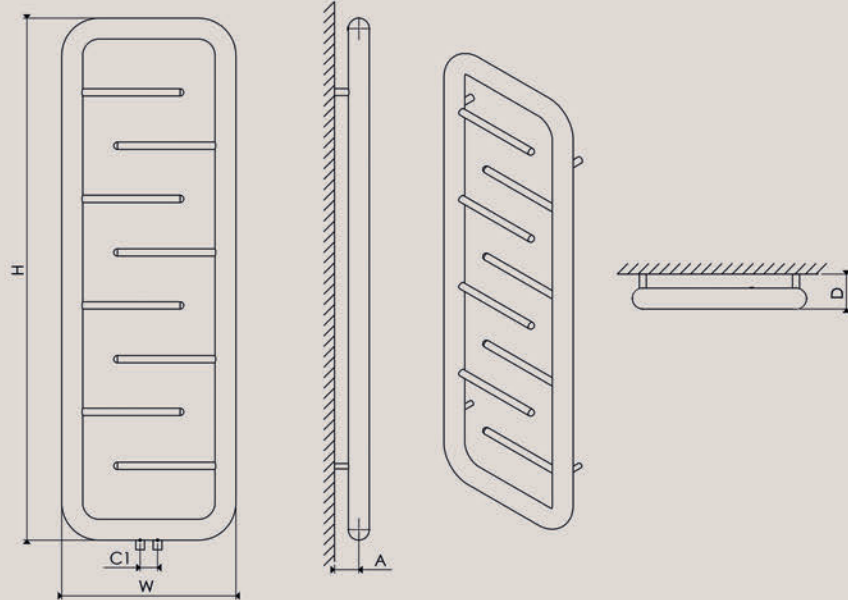
Vertical

PRODUCT CODE	Height (mm) H	Width (mm) W	Sections n	Pipe Centers (mm) C1	Wall to pipe Centers A (mm)	Wall Distance D (mm)	Nett Weight (kg)	Water Content (lt)	Fuel Type	Heat Outputs	
										Watts	BTU
ARE 0500090004	900	500	4	50	80-95	110-125	7.5	6.4	C	469	1599
ARE 0500120006	1200	500	6	50	80-95	110-125	9.0	7.9	C	631	2152
ARE 0500150008	1500	500	8	50	80-95	110-125	10.5	9.6	C	777	2651

Please add finishing code at the end of the product code

Code example : ARE 0500090004 STP

Fuel type i.e C: Central Heating  
E: Electrical Heating  
D: Dual Heating (C+E)



A full range of made to order sizes available.

Please ask for details.

n = number of sections

Max. working pressure

10 bar

Max. working temperature

95 °C

Connections

1/2"

Pipe centers

C1

50mm

# PAROS

## Material

Stainless Steel

## Stock Finishes

PLS SEE COLOUR  
KEY CHART, PAGE 161

## Guarantee

20 Years

## Installation

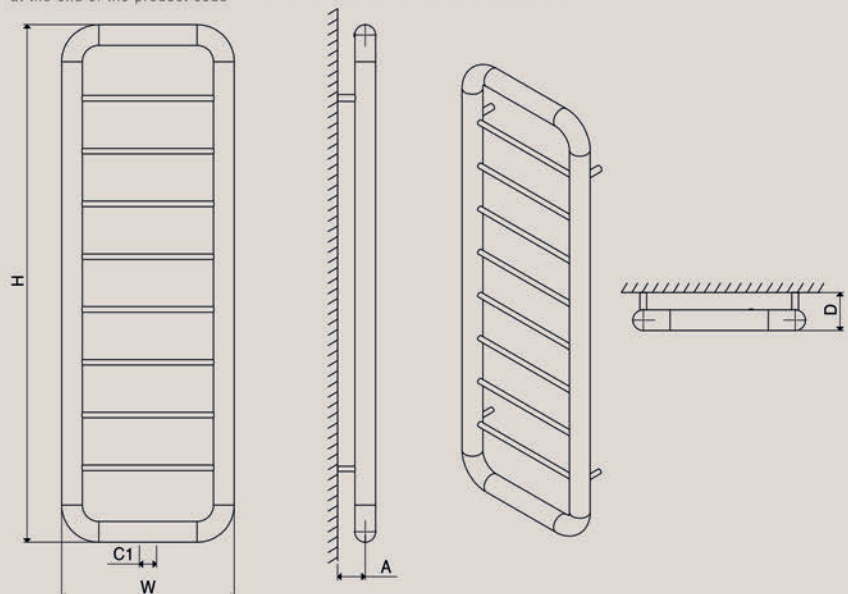
Vertical

PRODUCT CODE	Height (mm) H	Width (mm) W	Sections n	Pipe Centers (mm) C1	Wall to pipe Centers A (mm)	Wall Distance D (mm)	Nett Weight (kg)	Water Content (lt)	Fuel Type	Heat Outputs	
										Watts	BTU
PAR 0500090004	900	500	4	50	80-95	110-125	7.1	6.4	C	479	1636
PAR 0500120006	1200	500	6	50	80-95	110-125	8.2	7.9	C	640	2183
PAR 0500150008	1500	500	8	50	80-95	110-125	9.3	9.6	C	802	2735

Please add finishing code at the end of the product code

Code example : PAR 0500120006 MRP

Fuel type i.e C: Central Heating  
E: Electrical Heating  
D: Dual Heating (C+E)



A full range of made to order sizes available.

Please ask for details.

n = number of sections

Max. working pressure

10 bar

Max. working temperature

95 °C

Connections

1/2"

Pipe centers

C1

50mm

# SWING

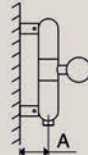
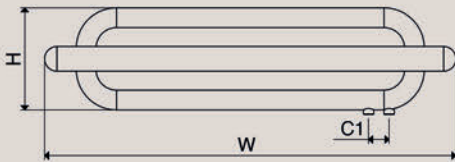
Material	Stock Finishes	Guarantee	Installation
Stainless Steel	PLS SEE COLOUR KEY CHART, PAGE 161	20 Years	Horizontal

PRODUCT CODE	Height (mm)	Width (mm)	Sections n	Pipe Centers (mm)	Wall to pipe Centers	Wall Distance	Nett Weight (kg)	Water Content (lt)	Fuel Type	Heat Outputs	
	H	W		C1	A (mm)	D (mm)				Watts	BTU
SWI 1000025001	250	1000	1	50	74-89	158-173	6.0	2.1	C	494	1684

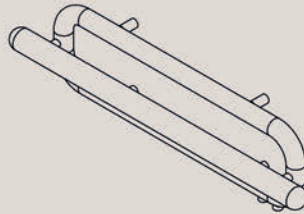
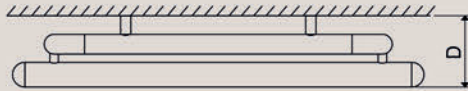
Please add finishing code at the end of the product code

Code example : SWI 1000025001 MRP

Fuel type i.e  
C: Central Heating  
E: Electrical Heating  
D: Dual Heating (C+E)



n = number of sections  
Max. working pressure 10 bar  
Max. working temperature 95 °C  
Connections 1/2"  
Pipe centers C1 50mm



# REDOX

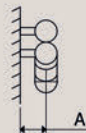
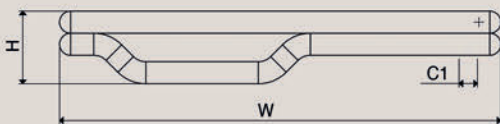
Material	Stock Finishes	Guarantee	Installation
Stainless Steel	PLS SEE COLOUR KEY CHART, PAGE 161	20 Years	Horizontal

PRODUCT CODE	Height (mm)	Width (mm)	Sections n	Pipe Centers (mm)	Wall to pipe Centers	Wall Distance	Nett Weight (kg)	Water Content (lt)	Fuel Type	Heat Outputs	
	H	W		C1	A (mm)	D (mm)				Watts	BTU
RDX 1200017002	170	1200	2	50	80-95	110-125	5.5	2.7	C	325	1110

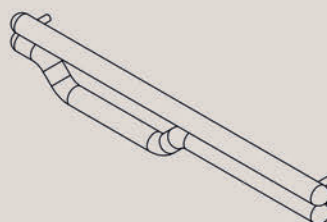
Please add finishing code at the end of the product code

Code example : RDX 1200017002 STP

Fuel type i.e  
C: Central Heating  
E: Electrical Heating  
D: Dual Heating (C+E)



n = number of sections  
Max. working pressure 10 bar  
Max. working temperature 95 °C  
Connections 1/2"  
Pipe centers C1 50mm



# LEPUS

Material	Stock Finishes	Guarantee	Installation
Stainless Steel	PLS SEE COLOUR KEY CHART, PAGE 161	20 Years	Horizontal

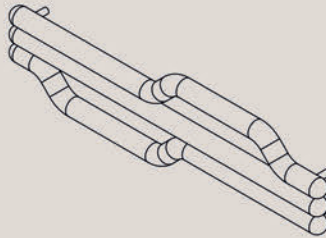
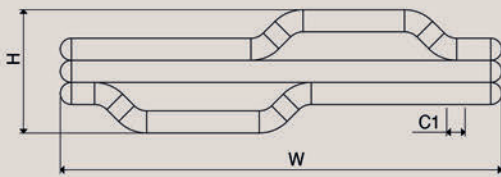
PRODUCT CODE	Height (mm) H	Width (mm) W	Sections n	Pipe Centers (mm) C1	Wall to pipe Centers A (mm)	Wall Distance D (mm)	Nett Weight (kg)	Water Content (lt)	Fuel Type	Heat Outputs	
										Watts	BTU
LPS 1200028003	280	1200	3	50	80-95	110-125	8.5	3.9	C	476	1625

Please add finishing code at the end of the product code

Code example : LPS 1200028003 STP

Fuel type i.e  
C: Central Heating  
E: Electrical Heating  
D: Dual Heating (C+E)

n = number of sections  
Max. working pressure 10 bar  
Max. working temperature 95 °C  
Connections ½"  
Pipe centers C1 50mm



# TALENT

Material	Stock Finishes	Guarantee	Installation
Stainless Steel	PLS SEE COLOUR KEY CHART, PAGE 161	20 Years	Vertical

PRODUCT CODE	Height (mm) H	Width (mm) W	Sections n	Pipe Centers (mm) C1	Wall to pipe Centers A (mm)	Wall Distance D (mm)	Nett Weight (kg)	Water Content (lt)	Fuel Type	Heat Outputs	
										Watts	BTU
TAL 0500078003	780	500	3	50	80-95	110-125	8.4	34.5	C	459	1566
TAL 0500104004	1040	500	4	50	80-95	110-125	10.9	46.0	C	612	2087
TAL 0500130005	1300	500	5	50	80-95	110-125	13.4	57.5	C	765	2609
TAL 0500156006	1560	500	6	50	80-95	110-125	13.4	57.5	C	918	3130

Please add finishing code at the end of the product code

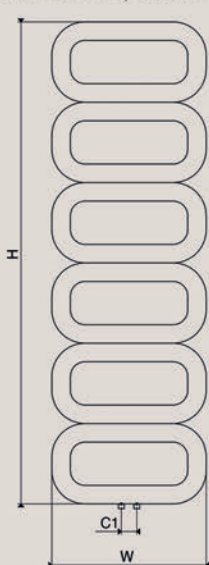
Code example : TAL 0500078003 MRP

Fuel type i.e  
C: Central Heating  
E: Electrical Heating  
D: Dual Heating (C+E)

A full range of made to order sizes available.

Please ask for details.

n = number of sections 10 bar  
Max. working pressure  
Max. working temperature 95 °C  
Connections ½"  
Pipe centers C1 50mm





# BARO

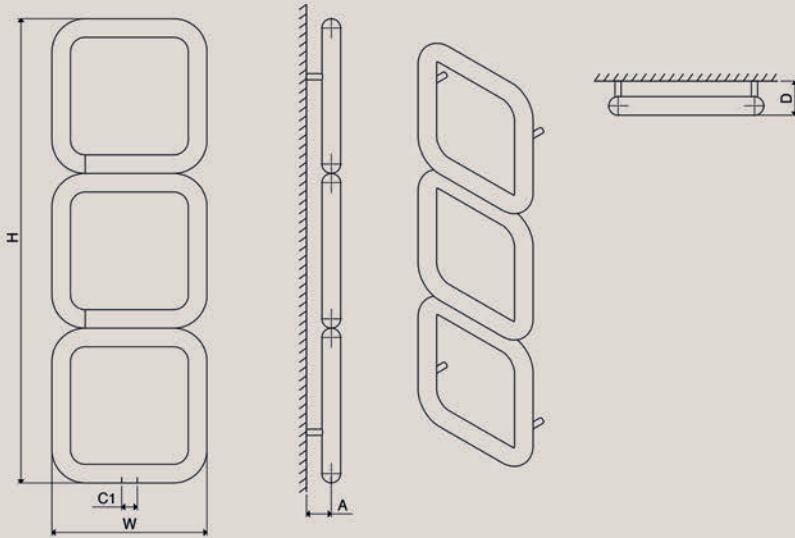
Material	Stock Finishes	Guarantee	Installation
Stainless Steel	PLS SEE COLOUR KEY CHART, PAGE 161	20 Years	Vertical

PRODUCT CODE	Height (mm) H	Width (mm) W	Sections n	Pipe Centers (mm) C1	Wall to pipe Centers	Wall Distance	Nett Weight (kg)	Water Content (lt)	Fuel Type	Heat Outputs	
					A (mm)	D (mm)				Watts	BTU
BAR 0500050001	500	500	1	50	80-95	110-125	4.3	3.2	C	343	1170
BAR 0500100002	1000	500	2	50	80-95	110-125	8.7	6.5	C	690	2356
BAR 0500150003	1500	500	3	50	80-95	110-125	13.0	10	C	1043	3558

Please add finishing code at the end of the product code

Code example : BAR 0500100002 STP

Fuel type i.e  
C: Central Heating  
E: Electrical Heating  
D: Dual Heating (C+E)



A full range of made to order sizes available.

Please ask for details.

n = number of sections

Max. working pressure 10 bar

Max. working temperature 95 °C

Connections 1/2"

Pipe centers C1 50mm

# PAN

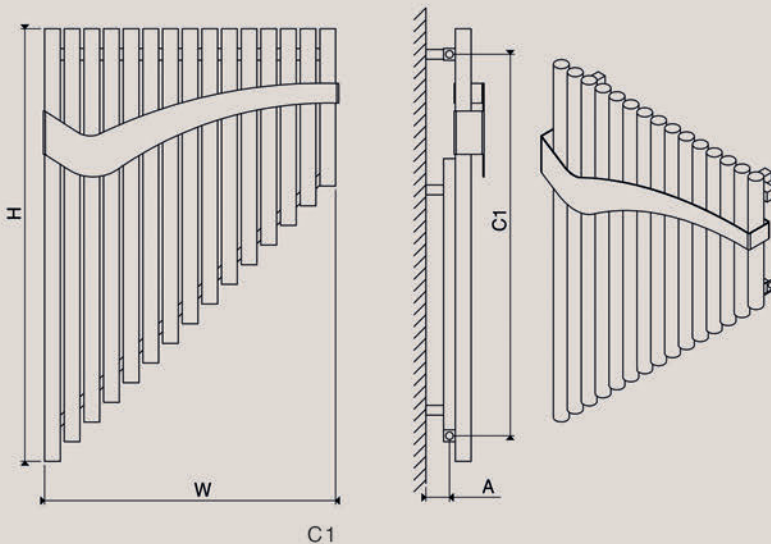
Material	Stock Finishes	Guarantee	Installation
Stainless Steel	PLS SEE COLOUR KEY CHART, PAGE 161	20 Years	Horizontal

PRODUCT CODE	Height (mm) H	Width (mm) W	Sections n	Pipe Centers (mm) C1	Wall to pipe Centers	Wall Distance	Nett Weight (kg)	Water Content (lt)	Fuel Type	Heat Outputs	
					A (mm)	D (mm)				Watts	BTU
PAN 0740110015	1100	740	15	980	60-75	148-163	20.1	51.0	C	1468	5010

Please add finishing code at the end of the product code

Code example : PAN 0740110015 STP

Fuel type i.e  
C: Central Heating  
E: Electrical Heating  
D: Dual Heating (C+E)



A full range of made to order sizes available.

Please ask for details.

n = number of sections

Max. working pressure 10 bar

Max. working temperature 95 °C

Connections 1/2"

Pipe centers C1 980mm

# VIVI

## Material

Stainless Steel

## Stock Finishes

PLS SEE COLOUR KEY CHART, PAGE 161

## Guarantee

20 Years

## Installation

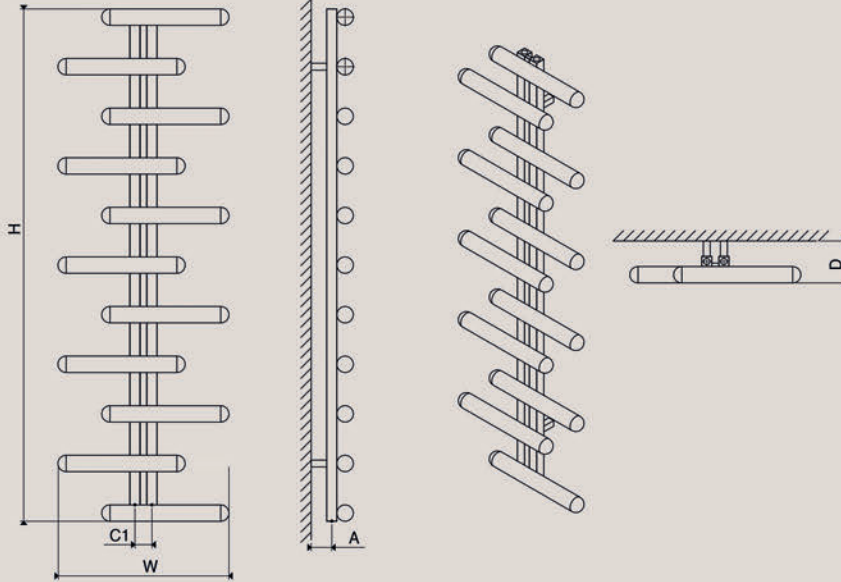
Vertical

PRODUCT CODE	Height (mm)	Width (mm)	Sections	Pipe Centers (mm)	Wall to pipe Centers	Wall Distance	Nett Weight	Water Content	Fuel Type	Heat Outputs	
	H	W	n	C1	A (mm)	D (mm)	(kg)	(lt)		Watts	BTU
VIV 0500100007	1000	500	7	50	60-75	123-138	6.8	5.3	D	557	1901
VIV 0500150011	1500	500	11	50	60-75	123-138	10.7	8.3	D	876	2987

Please add finishing code at the end of the product code

Code example : VIV 0500100007 MRP

Fuel type i.e C: Central Heating  
E: Electrical Heating  
D: Dual Heating (C+E)



A full range of made to order sizes available.

Please ask for details.

n = number of sections

Max. working pressure

10 bar

Max. working temperature

95 °C

Connections

1/2"

Pipe centers

C1

50mm

# IVOR

## Material

Stainless Steel

## Stock Finishes

PLS SEE COLOUR KEY CHART, PAGE 161

## Guarantee

20 Years

## Installation

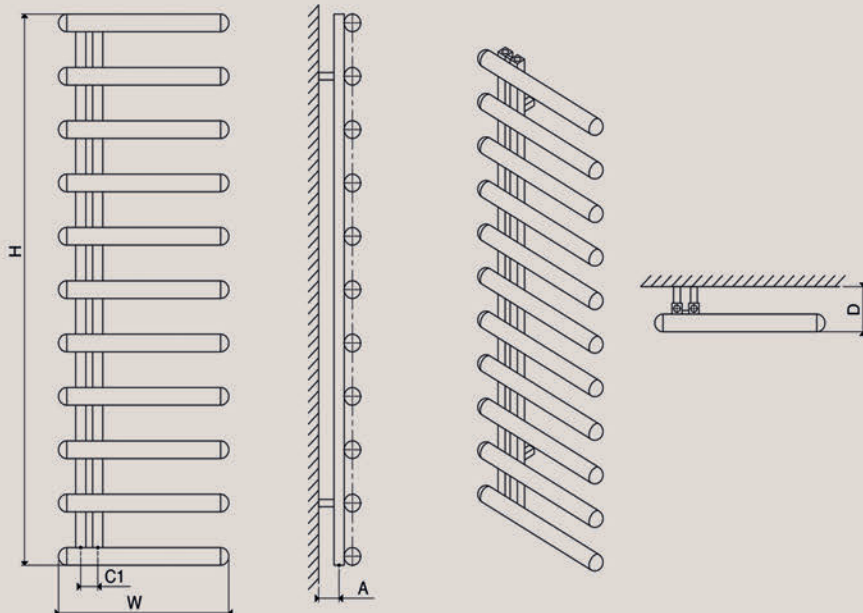
Vertical

PRODUCT CODE	Height (mm)	Width (mm)	Sections	Pipe Centers (mm)	Wall to pipe Centers	Wall Distance	Nett Weight	Water Content	Fuel Type	Heat Outputs	
	H	W	n	C1	A (mm)	D (mm)	(kg)	(lt)		Watts	BTU
IVO 0500100007	1000	500	7	50	60-75	123-138	6.8	5.3	D	557	1901
IVO 0500150011	1500	500	11	50	60-75	123-138	10.7	8.3	D	876	2987

Please add finishing code at the end of the product code

Code example : IVO 0500100007 STP

Fuel type i.e C: Central Heating  
E: Electrical Heating  
D: Dual Heating (C+E)



A full range of made to order sizes available.

Please ask for details.

n = number of sections

Max. working pressure

10 bar

Max. working temperature

95 °C

Connections

1/2"

Pipe centers

C1

50mm

# DOMINO

Material	Stock Finishes	Guarantee	Installation
Stainless Steel	PLS SEE COLOUR KEY CHART, PAGE 161	20 Years	Vertical

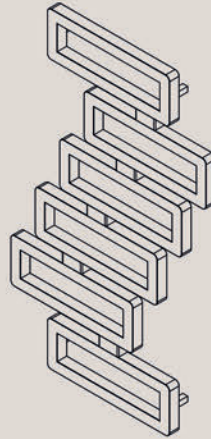
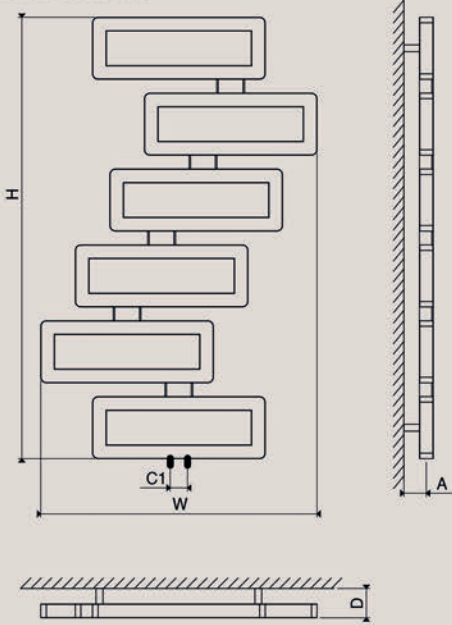
PRODUCT CODE	Height (mm)	Width (mm)	Sections n	Pipe Centers (mm) C1	Wall to pipe Centers	Wall Distance	Nett Weight (kg)	Water Content (lt)	Fuel Type	Heat Outputs	
	H	W			A (mm)	D (mm)				Watts	BTU
DOM 0800128006	1280	800	6	50	65-80	85-100	11.8	9.0	C	771	2631

Please add finishing code at the end of the product code

Code example : DOM 0800128006 MRP

Fuel type i.e

C: Central Heating  
E: Electrical Heating  
D: Dual Heating (C+E)



A full range of made to order sizes available.

Please ask for details.

n = number of sections

Max. working pressure

95 °C

Max. working temperature

1/2"

Connections

Pipe centers

C1

50mm

# CLASH

Material	Stock Finishes	Guarantee	Installation
Stainless Steel	PLS SEE COLOUR KEY CHART, PAGE 161	20 Years	Vertical

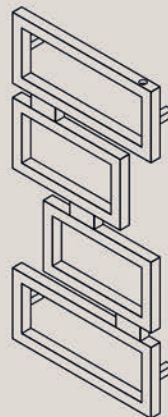
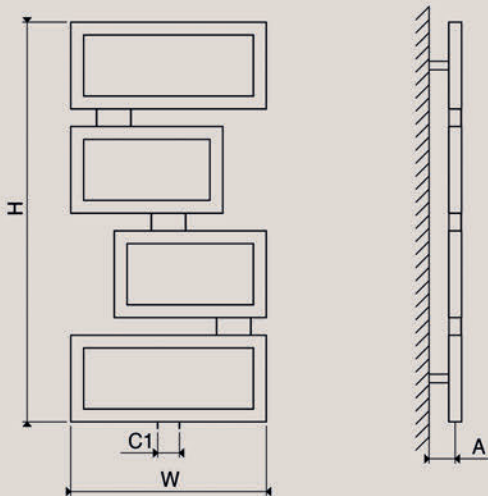
PRODUCT CODE	Height (mm)	Width (mm)	Sections n	Pipe Centers (mm) C1	Wall to pipe Centers	Wall Distance	Nett Weight (kg)	Water Content (lt)	Fuel Type	Heat Outputs	
	H	W			A (mm)	D (mm)				Watts	BTU
CLS 0450092004	920	450	4	50	65-80	85-100	5.7	4.6	C	400	1366

Please add finishing code at the end of the product code

Code example : CLS 0450092004 MRP

Fuel type i.e

C: Central Heating  
E: Electrical Heating  
D: Dual Heating (C+E)



A full range of made to order sizes available.

Please ask for details.

n = number of sections

Max. working pressure

10 bar

Max. working temperature

95 °C

Connections

1/2"

Pipe centers

C1

50mm

C1





# HALO

**Material**  
Stainless Steel

**Stock Finishes**  
PLS SEE COLOUR  
KEY CHART, PAGE 161

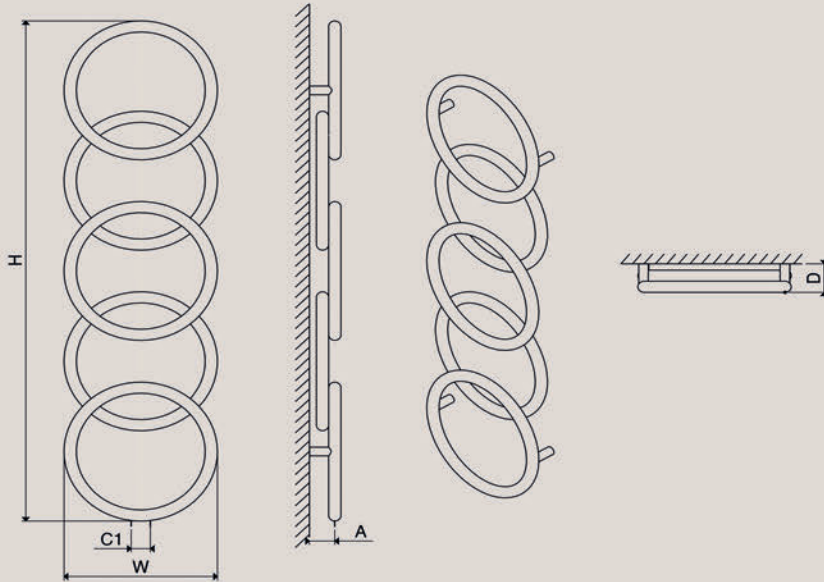
**Guarantee**  
20 Years

**Installation**  
Vertical

PRODUCT CODE	Height (mm) H	Width (mm) W	Sections n	Pipe Centers (mm) C1	Wall to pipe Centers	Wall Distance	Nett Weight (kg)	Water Content (lt)	Fuel Type	Heat Outputs	
					A (mm)	D (mm)				Watts	BTU
HAL 0400093003	930	400	3	50	66-81	82-97	4.8	5.1	C	355	1212
HAL 0400147005	1470	400	5	50	66-81	82-97	8.0	8.5	C	588	2005

Please add finishing code at the end of the product code **Code example : HAL 0400093003 STP**

Fuel type i.e C: Central Heating  
E: Electrical Heating  
D: Dual Heating (C+E)



A full range of made to order sizes available.

Please ask for details.

n = number of sections

Max. working pressure

10 bar

Max. working temperature

95 °C

Connections

1/2"

Pipe centers

C1

50mm

# SOFTY

**Material**  
Stainless Steel

**Stock Finishes**  
PLS SEE COLOUR  
KEY CHART, PAGE 161

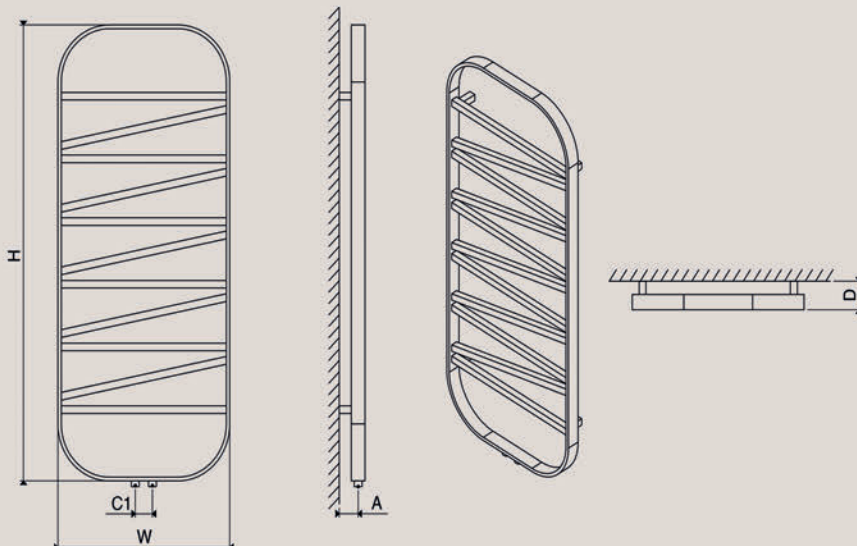
**Guarantee**  
20 Years

**Installation**  
Vertical

PRODUCT CODE	Height (mm) H	Width (mm) W	Sections n	Pipe Centers (mm) C1	Wall to pipe Centers	Wall Distance	Nett Weight (kg)	Water Content (lt)	Fuel Type	Heat Outputs	
					A (mm)	D (mm)				Watts	BTU
SOF 0500120011	1200	500	11	50	55-70	75-90	9.6	2.3	C	699	2385

Please add finishing code at the end of the product code **Code example : SOF 0500120011 STP**

Fuel type i.e C: Central Heating  
E: Electrical Heating  
D: Dual Heating (C+E)



A full range of made to order sizes available.

Please ask for details.

n = number of sections

Max. working pressure

10 bar

Max. working temperature

95 °C

Connections

1/2"

Pipe centers

C1

50mm

# KNIGHT

Material	Stock Finishes	Guarantee	Installation
Stainless Steel	PLS SEE COLOUR KEY CHART, PAGE 161	20 Years	Vertical

PRODUCT CODE	Height (mm)	Width (mm)	Sections	Pipe Centers (mm)	Wall to pipe Centers	Wall Distance	Nett Weight	Water Content	Fuel Type	Heat Outputs	
	H	W	n	C1	A (mm)	D (mm)	(kg)	(lt)		Watts	BTU
KNG 0500077006	770	500	6	80	65-80	85-100	10.1	8.5	C	574	1959
KNG 0500104008	1040	500	8	80	65-80	85-100	13.0	11.4	C	765	2611
KNG 0500131010	1310	500	10	80	65-80	85-100	16.2	14.2	C	957	3264

Please add finishing code at the end of the product code **Code example : KNG 0500077006 MRP**

Fuel type i.e C: Central Heating  
E: Electrical Heating  
D: Dual Heating (C+E)

A full range of made to order sizes available.

Please ask for details.

n = number of sections

Max. working pressure

10 bar

Max. working temperature

95 °C

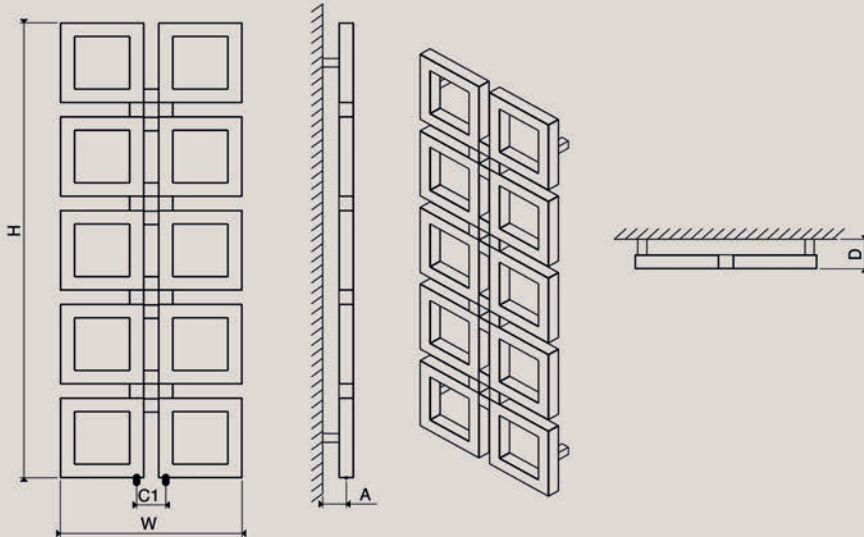
Connections

½"

Pipe centers

C1

80mm



# JACK

Material	Stock Finishes	Guarantee	Installation
Stainless Steel	PLS SEE COLOUR KEY CHART, PAGE 161	20 Years	Vertical

PRODUCT CODE	Height (mm)	Width (mm)	Sections	Pipe Centers (mm)	Wall to pipe Centers	Wall Distance	Nett Weight	Water Content	Fuel Type	Heat Outputs	
	H	W	n	C1	A (mm)	D (mm)	(kg)	(lt)		Watts	BTU
JAC 0240150002	1500	240	2	50	75-90	105-120	6.9	5.7	D	395	1349

Please add finishing code at the end of the product code **Code example : JAC 0240150002 MRP**

Fuel type i.e C: Central Heating  
E: Electrical Heating  
D: Dual Heating (C+E)

A full range of made to order sizes available.

Please ask for details.

n = number of sections

Max. working pressure

10 bar

Max. working temperature

95 °C

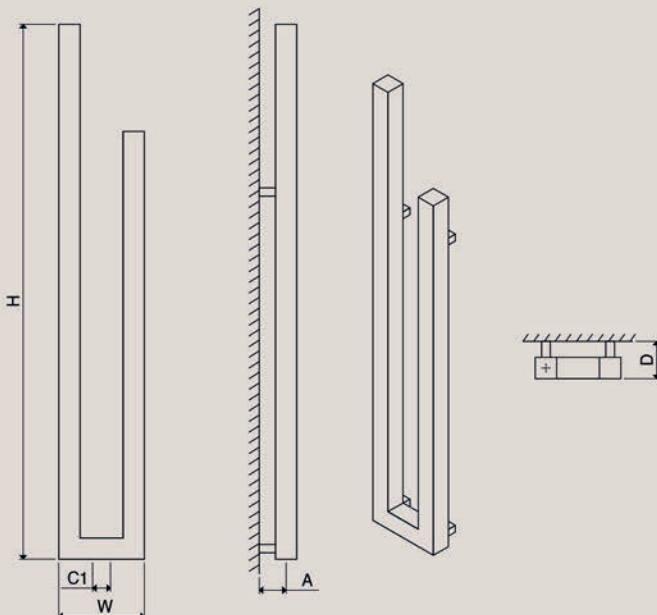
Connections

½"

Pipe centers

C1

50mm



# ECLIPSE

## Material

Stainless Steel

## Stock Finishes

PLS SEE COLOUR  
KEY CHART, PAGE 161

## Guarantee

20 Years

## Installation

Vertical

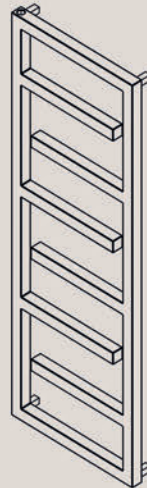
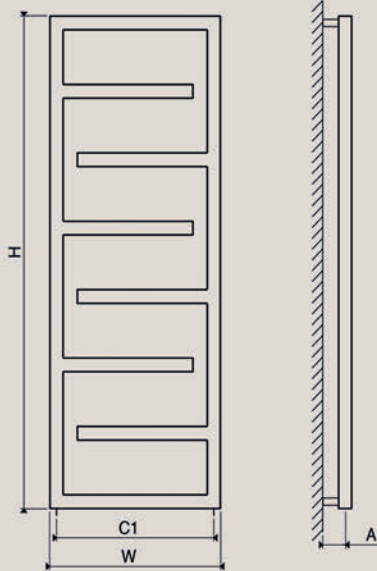
PRODUCT CODE	Height (mm) H	Width (mm) W	Sections n	Pipe Centers (mm) C1	Wall to pipe Centers A (mm)	Wall Distance D (mm)	Nett Weight (kg)	Water Content (lt)	Fuel Type	Heat Outputs	
										Watts	BTU
ECL 0500088003	880	500	3	460	65-80	85-100	6.6	5.1	D	447	1526
ECL 0500137006	1370	500	6	460	65-80	85-100	18.3	13.9	D	1230	4197

Please add finishing code  
at the end of the product code

Code example : ECL 0500088003 STP

Fuel type i.e

C: Central Heating  
E: Electrical Heating  
D: Dual Heating (C+E)



A full range of made to order sizes available.

Please ask for details.

n = number of sections

Max. working pressure

10 bar

Max. working temperature

95 °C

Connections

1/2"

Pipe centers

C1 W-40mm

# ARLEN

## Material

Stainless Steel

## Stock Finishes

PLS SEE COLOUR  
KEY CHART, PAGE 161

## Guarantee

20 Years

## Installation

Vertical

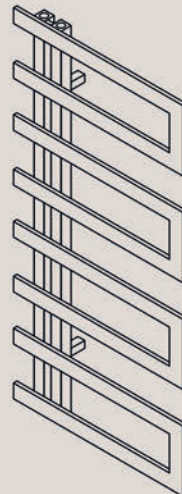
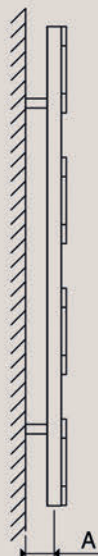
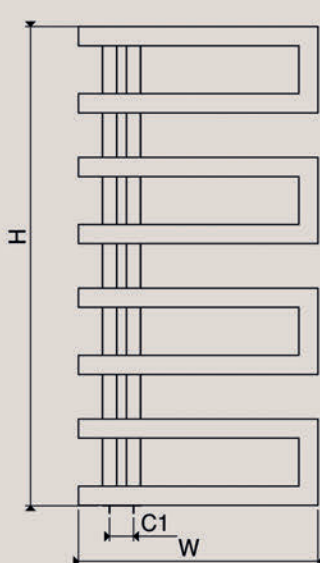
PRODUCT CODE	Height (mm) H	Width (mm) W	Sections n	Pipe Centers (mm) C1	Wall to pipe Centers A (mm)	Wall Distance D (mm)	Nett Weight (kg)	Water Content (lt)	Fuel Type	Heat Outputs	
										Watts	BTU
ARL 0500100008	1000	500	8	50	60-75	85-100	7.2	2.5	D	490	1672

Please add finishing code  
at the end of the product code

Code example : ARL 0500100008 STP

Fuel type i.e

C: Central Heating  
E: Electrical Heating  
D: Dual Heating (C+E)



A full range of made to order sizes available.

Please ask for details.

n = number of sections

Max. working pressure

10 bar

Max. working temperature

95 °C

Connections

1/2"

Pipe centers

C1 50mm



# ALIAS

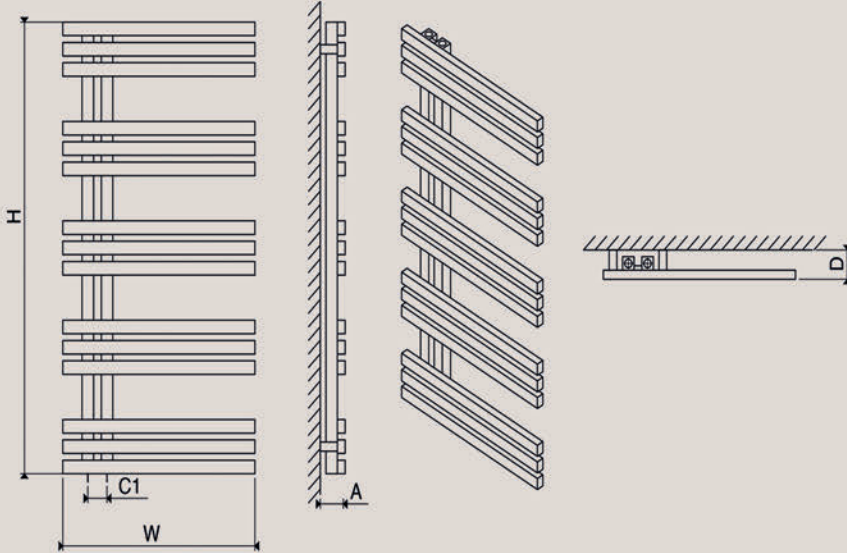
Material	Stock Finishes	Guarantee	Installation
Stainless Steel	PLS SEE COLOUR KEY CHART, PAGE 161	20 Years	Vertical

PRODUCT CODE	Height (mm)	Width (mm)	Sections n	Pipe Centers (mm) C1	Wall to pipe Centers	Wall Distance	Nett Weight (kg)	Water Content (lt)	Fuel Type	Heat Outputs	
	H	W			A (mm)	D (mm)				Watts	BTU
ALI 0500100015	1000	500	15	50	30-45	65-80	9.6	4.9	D	480	1639

Please add finishing code at the end of the product code

Code example : ALI 0500100015 STP

Fuel type i.e C: Central Heating  
E: Electrical Heating  
D: Dual Heating (C+E)



A full range of made to order sizes available.

Please ask for details.

n = number of sections

Max. working pressure

10 bar

Max. working temperature

95 °C

Connections

1/2"

Pipe centers

C1

50mm

# ADORE

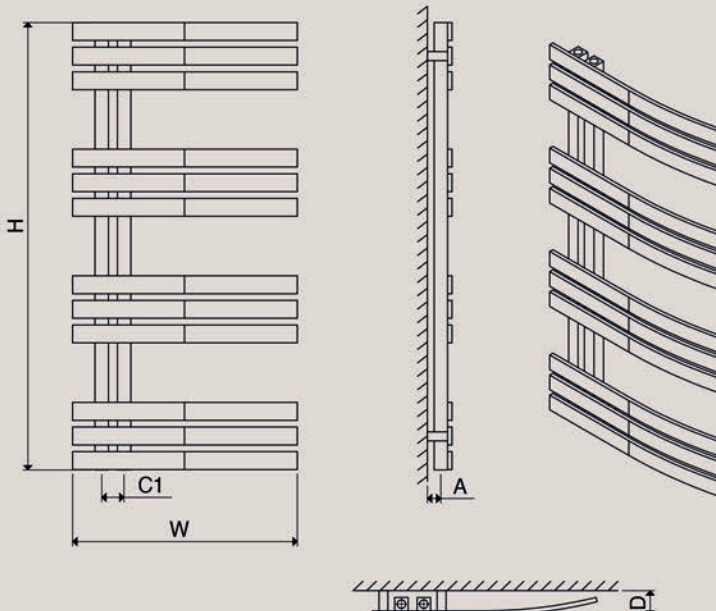
Material	Stock Finishes	Guarantee	Installation
Stainless Steel	PLS SEE COLOUR KEY CHART, PAGE 161	20 Years	Vertical

PRODUCT CODE	Height (mm)	Width (mm)	Sections n	Pipe Centers (mm) C1	Wall to pipe Centers	Wall Distance	Nett Weight (kg)	Water Content (lt)	Fuel Type	Heat Outputs	
	H	W			A (mm)	D (mm)				Watts	BTU
ADR 0500100012	1000	500	12	50	30-45	55-70	7.7	3.9	D	465	1587

Please add finishing code at the end of the product code

Code example : ADR 0500100012 STP

Fuel type i.e C: Central Heating  
E: Electrical Heating  
D: Dual Heating (C+E)



A full range of made to order sizes available.

Please ask for details.

n = number of sections

Max. working pressure

10 bar

Max. working temperature

95 °C

Connections

1/2"

Pipe centers

C1

50mm

# SNOWFLAKE

**Material**  
Stainless Steel

**Stock Finishes**  
PLS SEE COLOUR  
KEY CHART, PAGE 161

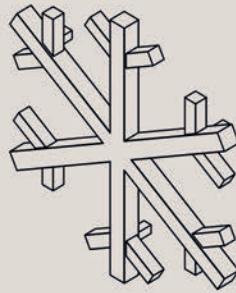
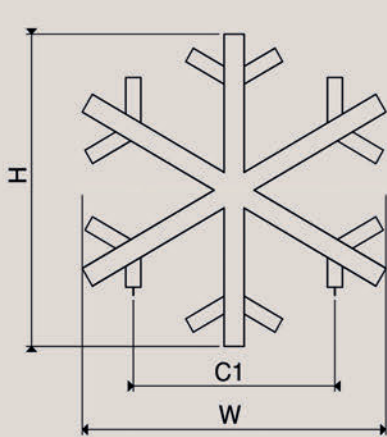
**Guarantee**  
20 Years

**Installation**  
Horizontal

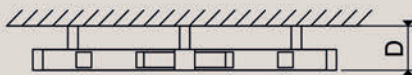
PRODUCT CODE	Height (mm)	Width (mm)	Sections n	Pipe Centers (mm) C1	Wall to pipe Centers	Wall Distance	Nett Weight (kg)	Water Content (lt)	Fuel Type	Heat Outputs	
	H	W			A (mm)	D (mm)				Watts	BTU
SNW 0600060006	600	600	6	360	65-80	85-100	5.5	3.6	C	333	1137

Please add finishing code at the end of the product code **Code example : SNW 0600060006 STP**

Fuel type i.e C: Central Heating  
E: Electrical Heating  
D: Dual Heating (C+E)



n = number of sections  
 Max. working pressure 10 bar  
 Max. working temperature 95 °C  
 Connections 1/2"  
 Pipe centers C1 360mm



# IBIZA

**Material**  
Stainless Steel

**Stock Finishes**  
PLS SEE COLOUR  
KEY CHART, PAGE 161

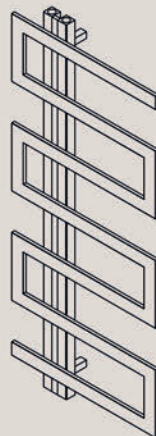
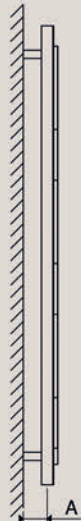
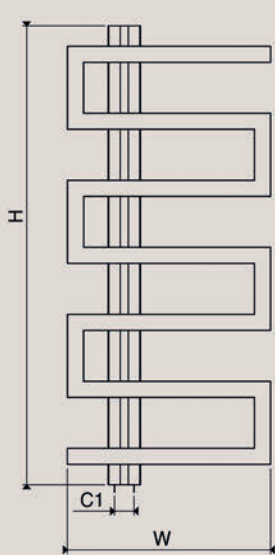
**Guarantee**  
20 Years

**Installation**  
Vertical

PRODUCT CODE	Height (mm)	Width (mm)	Sections n	Pipe Centers (mm) C1	Wall to pipe Centers	Wall Distance	Nett Weight (kg)	Water Content (lt)	Fuel Type	Heat Outputs	
	H	W			A (mm)	D (mm)				Watts	BTU
IBZ 0500044003	440	500	3	50	60-75	85-100	3.1	0.9	D	293	999
IBZ 0500077005	770	500	5	50	60-75	85-100	5.2	1.6	D	371	1266
IBZ 0500113007	1130	500	7	50	60-75	85-100	7.2	2.2	D	459	1566

Please add finishing code at the end of the product code **Code example : IBZ 0500077005 MRP**

Fuel type i.e C: Central Heating  
E: Electrical Heating  
D: Dual Heating (C+E)



A full range of made to order sizes available.  
 Please ask for details.  
 n = number of sections  
 Max. working pressure 10 bar  
 Max. working temperature 95 °C  
 Connections 1/2"  
 Pipe centers C1 50mm



# JAZZ

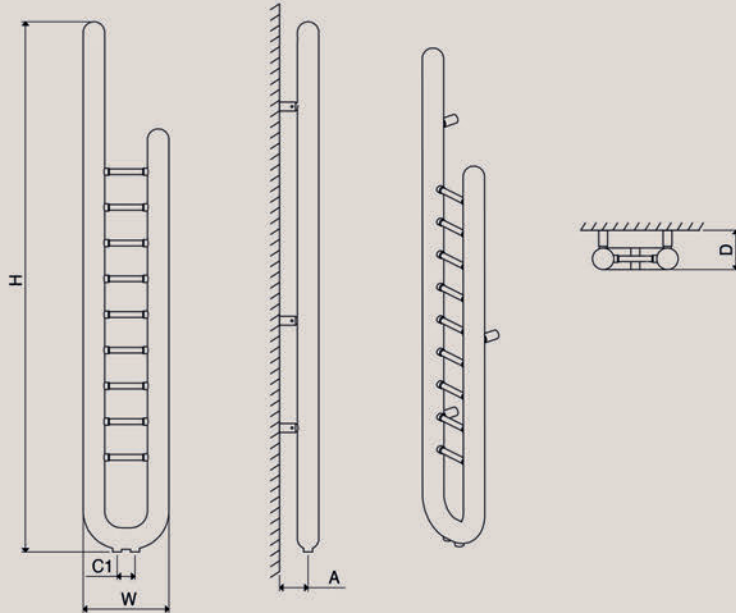
Material	Stock Finishes	Guarantee	Installation
Stainless Steel	PLS SEE COLOUR KEY CHART, PAGE 161	20 Years	Vertical

PRODUCT CODE	Height (mm)	Width (mm)	Sections n	Pipe Centers (mm)	Wall to pipe Centers	Wall Distance	Nett Weight (kg)	Water Content (lt)	Fuel Type	Heat Outputs	
	H	W		C1	A (mm)	D (mm)				Watts	BTU
JAZ 0240150009	1500	240	9	50	80-95	110-125	6.5	6.7	C	360	1229

Please add finishing code at the end of the product code

Code example : JAZ 0240150009 MRP

Fuel type i.e  
C: Central Heating  
E: Electrical Heating  
D: Dual Heating (C+E)



n = number of sections  
Max. working pressure 10 bar  
Max. working temperature 95 °C  
Connections 1/2"  
Pipe center C1 50 mm

# MIYA

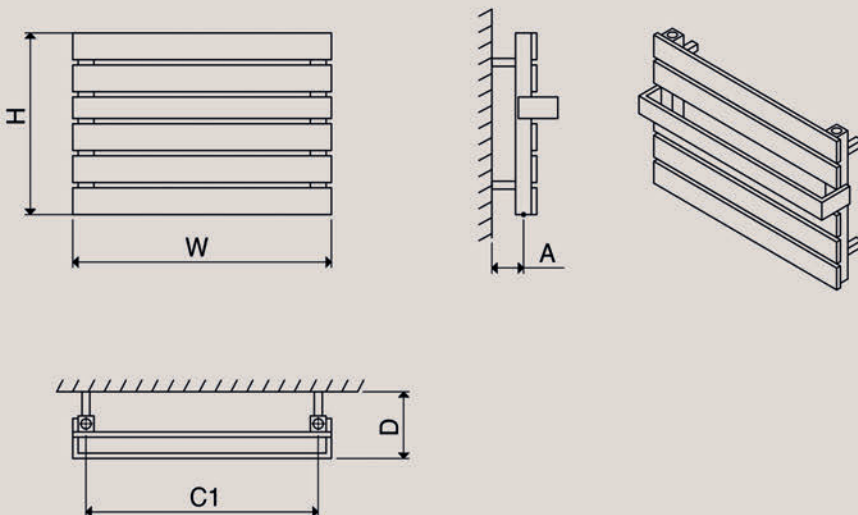
Material	Stock Finishes	Guarantee	Installation
Stainless Steel	PLS SEE COLOUR KEY CHART, PAGE 161	20 Years	Horizontal

PRODUCT CODE	Height (mm)	Width (mm)	Sections n	Pipe Centers (mm)	Wall to pipe Centers	Wall Distance	Nett Weight (kg)	Water Content (lt)	Fuel Type	Heat Outputs	
	H	W		C1 (mm)	A	D (mm)				Watts	BTU
MIY 0500034006	340	500	6	440	60-75	125-140	5.8	1.6	C	513	1749
MIY 1000034006	340	1000	6	940	60-75	125-140	11.4	2.5	C	810	2762

Please add finishing code at the end of the product code

Code example : MIY 050034006 MRP

Fuel type i.e  
C: Central Heating  
E: Electrical Heating  
D: Dual Heating (C+E)



A full range of made to order sizes available.

Please ask for details.

n = number of sections  
Max. working pressure 10 bar  
Max. working temperature 95 °C  
Connections 1/2"  
Pipe center C1 W - 60 mm



# RONI

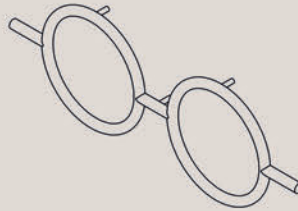
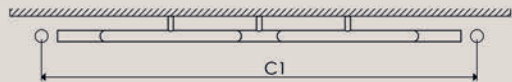
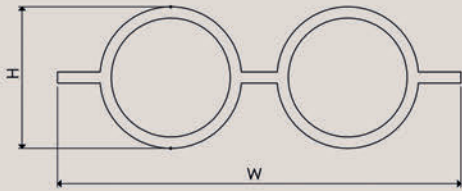
Material	Stock Finishes	Guarantee	Installation
Stainless Steel	PLS SEE COLOUR KEY CHART, PAGE 161	20 Years	Horizontal

PRODUCT CODE	Height (mm) H	Width (mm) W	Sections n	Pipe Centers (mm) C1		Wall to pipe Centers	Wall Distance	Nett Weight (kg)	Water Content (lt)	Fuel Type	Heat Outputs	
				A (mm)	D (mm)	Watts	BTU					
ROI 0640040001	400	640	1	730		66-86	82-102	2.5	0.8	C	190	650
ROI 1000040002	400	1000	2	1090		66-86	82-102	5.0	1.6	C	381	1300

Please add finishing code at the end of the product code

Code example : ROI 0640040001 STP

Fuel type i.e  
C: Central Heating  
E: Electrical Heating  
D: Dual Heating (C+E)



A full range of made to order sizes available.

Please ask for details.

n = number of sections

Max. working pressure

10 bar

Max. working temperature

95 °C

Connections

1/2"

Pipe center

C1 W + 90 mm

# CRUX

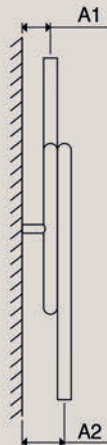
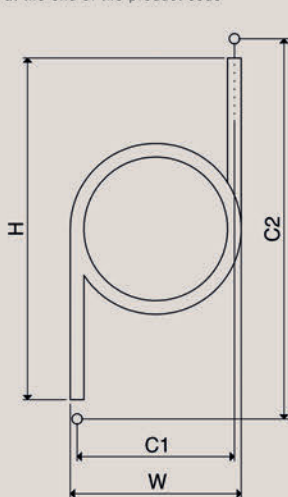
Material	Stock Finishes	Guarantee	Installation
Stainless Steel	PLS SEE COLOUR KEY CHART, PAGE 161	20 Years	Vertical

PRODUCT CODE	Height (mm) H	Width (mm) W	Sections n	Pipe Centers (mm)		Wall to pipe Centers (mm)		Wall Distance D (mm)	Nett Weight (kg)	Water Content (lt)	Fuel Type	Heat Outputs	
				C1	C2	A1	A2					Watts	BTU
CRX 0400080002	800	400	2	368	890	66	98	115-130	3.6	0.8	C	305	1040

Please add finishing code at the end of the product code

Code example : CRX 0400080002 MRP

Fuel type i.e  
C: Central Heating  
E: Electrical Heating  
D: Dual Heating (C+E)



n = number of sections

Max. working pressure

10 bar

Max. working temperature

95 °C

Connections

1/2"

Vertical pipe center

C2 890 mm

Pipe center

C1 368 mm



# ZIGZAG

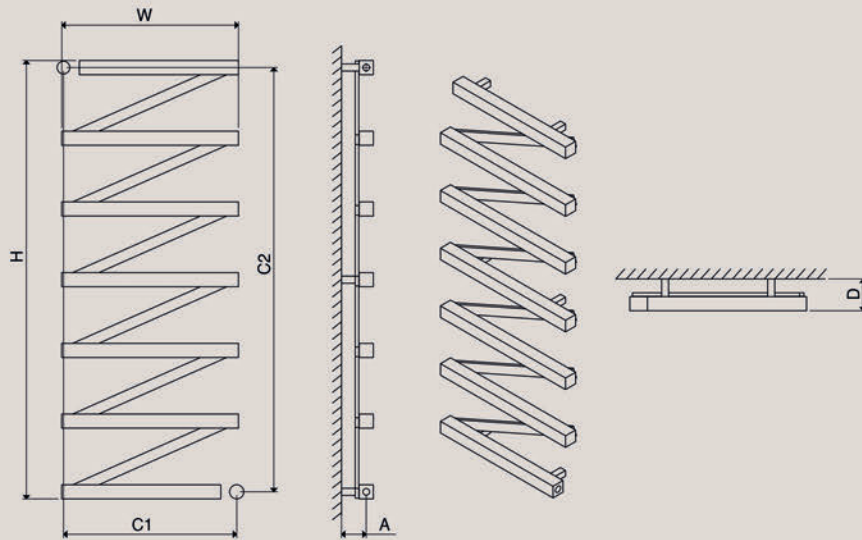
<b>Material</b>	<b>Stock Finishes</b>	<b>Guarantee</b>	<b>Installation</b>
Stainless Steel	PLS SEE COLOUR KEY CHART, PAGE 161	20 Years	Vertical

PRODUCT CODE	Height (mm) H	Width (mm) W	Sections n	Pipe Centers (mm)		Wall to pipe Centers A (mm)	Wall Distance D (mm)	Nett Weight (kg)	Water Content (lt)	Fuel Type	Heat Outputs	
				C1	C2						Watts	BTU
ZIG 0500064004	640	500	4	490	600	65-80	85-100	4.5	2.4	C	367	1251
ZIG 0500124007	1240	500	7	490	1200	65-80	85-100	9.0	4.8	C	710	2421
ZIG 0500164009	1640	500	9	490	1600	65-80	85-100	12.0	6.4	C	867	2957

Please add finishing code at the end of the product code

Code example : ZIG 0500164009 STP

Fuel type i.e C: Central Heating  
E: Electrical Heating  
D: Dual Heating (C+E)



A full range of made to order sizes available.

Please ask for details.

n = number of sections 10 bar

Max. working pressure 95 °C

Max. working temperature 1/2"

Connections

Vertical pipe center C2 H - 40 mm

Pipe center C1 W - 10 mm

# WOODSTOCK

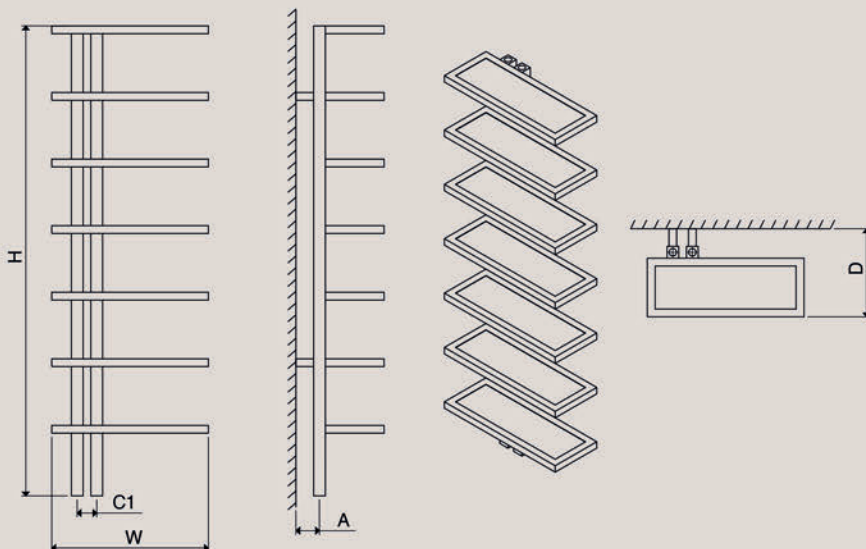
<b>Material</b>	<b>Stock Finishes</b>	<b>Guarantee</b>	<b>Installation</b>
Stainless Steel	PLS SEE COLOUR KEY CHART, PAGE 161	20 Years	Vertical

PRODUCT CODE	Height (mm) H	Width (mm) W	Sections n	Pipe Centers (mm)	Wall to pipe Centers A (mm)	Wall Distance D (mm)	Nett Weight (kg)	Water Content (lt)	Fuel Type	Heat Outputs	
				C1						Watts	BTU
WDS 0400120007	1200	400	7	50	60-75	225-240	12.3	3.5	D	583	1988

Please add finishing code at the end of the product code

Code example : WDS 0400120007 STP

Fuel type i.e C: Central Heating  
E: Electrical Heating  
D: Dual Heating (C+E)



A full range of made to order sizes available.

Please ask for details.

n = number of sections

Max. working pressure 10 bar

Max. working temperature 95 °C

Connections 1/2"

Pipe center C1 50 mm

# HERRING

Material	Stock Finishes	Guarantee	Installation
Stainless Steel	PLS SEE COLOUR KEY CHART, PAGE 161	20 Years	Vertical

PRODUCT CODE	Height (mm)	Width (mm)	Sections n	Pipe Centers (mm)	Wall to pipe Centers	Wall Distance	Nett Weight (kg)	Water Content (lt)	Fuel Type	Heat Outputs	
	H	W		C1	A (mm)	D (mm)				Watts	BTU
HRR 0600100007	1000	600	7	50	60-75	115-130	7.5	3.8	D	567	1934

Please add finishing code at the end of the product code **Code example : HRR 0600100007 MRP**

Fuel type i.e C: Central Heating  
E: Electrical Heating  
D: Dual Heating (C+E)

A full range of made to order sizes available.

Please ask for details.

n = number of sections

Max. working pressure

10 bar

Max. working temperature

95 °C

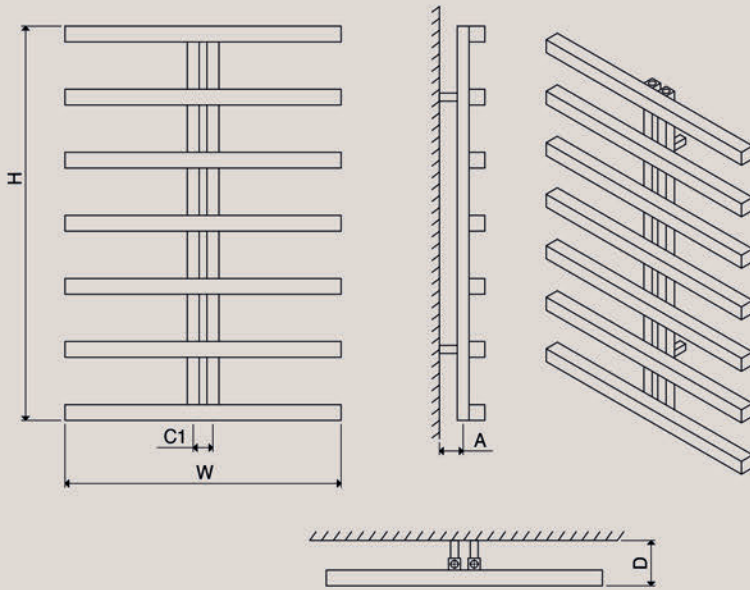
Connections

1/2"

Pipe center

C1

50 mm



# ELDORADO

Material	Stock Finishes	Guarantee	Installation
Stainless Steel	PLS SEE COLOUR KEY CHART, PAGE 161	20 Years	Vertical

PRODUCT CODE	Height (mm)	Width (mm)	Sections n	Pipe Centers (mm)	Wall to pipe Centers	Wall Distance	Nett Weight (kg)	Water Content (lt)	Fuel Type	Heat Outputs	
	H	W		C1	A (mm)	D (mm)				Watts	BTU
ELD 0400094010	940	400	10	50	65-85	84-104	10.5	6.5	C	665	2269
ELD 0500094010	940	500	10	50	65-85	84-104	14.5	7.8	C	876	2990

Please add finishing code at the end of the product code **Code example : ELD 0500094010 STP**

Fuel type i.e C: Central Heating  
E: Electrical Heating  
D: Dual Heating (C+E)

A full range of made to order sizes available.

Please ask for details.

n = number of sections

Max. working pressure

10 bar

Max. working temperature

95 °C

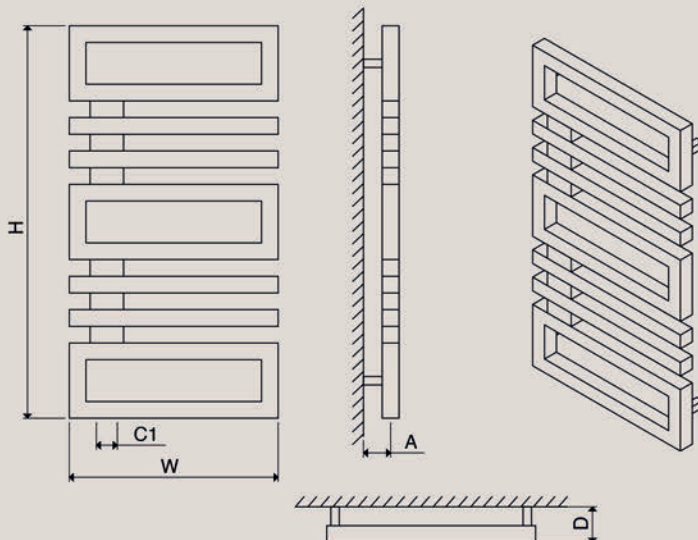
Connections

1/2"

Pipe center

C1

50 mm





# FLAP

Material	Stock Finishes	Guarantee	Installation
Stainless Steel	PLS SEE COLOUR KEY CHART, PAGE 161	20 Years	Vertical

PRODUCT CODE	Height (mm) H	Width (mm) W	Sections n	Pipe Centers (mm) C1	Wall to pipe Centers A (mm)	Wall Distance D (mm)	Nett Weight (kg)	Water Content (lt)	Fuel Type	Heat Outputs	
										Watts	BTU
FLP 0840085002	850	840	2	940	60-75	85-100	5.3	3.5	D	410	1397
FLP 0840130003	1300	840	3	1390	60-75	85-100	7.8	5.2	D	625	2134
FLP 0840175004	1750	840	4	1840	60-75	85-100	10.4	7.0	D	787	2686

Please add finishing code at the end of the product code **Code example** : FLP 0840130003 STP

Fuel type i.e C: Central Heating  
E: Electrical Heating  
D: Dual Heating (C+E)

A full range of made to order sizes available.

Please ask for details.

n = number of sections

Max. working pressure

10 bar

Max. working temperature

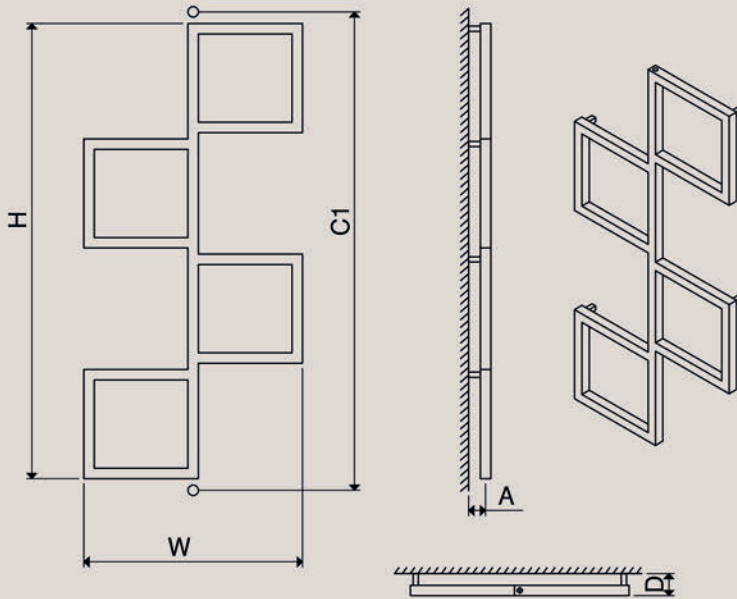
95 °C

Connections

1/2"

Pipe center

C1 H + 90 mm



# BECK

Material	Stock Finishes	Guarantee	Installation
Stainless Steel	PLS SEE COLOUR KEY CHART, PAGE 161	20 Years	Vertical

PRODUCT CODE	Height (mm) H	Width (mm) W	Sections n	Pipe Centers (mm) C1	Wall to pipe Centers A (mm)	Wall Distance D (mm)	Nett Weight (kg)	Water Content (lt)	Fuel Type	Heat Outputs	
										Watts	BTU
BCK 0450092004	920	450	4	50	60-75	75-90	6.8	3.2	C	478	1630
BCK 0450140006	1400	450	6	50	60-75	75-90	10.2	4.8	C	717	2448

Please add finishing code at the end of the product code **Code example** : BCK 0450140006 MRP

Fuel type i.e C: Central Heating  
E: Electrical Heating  
D: Dual Heating (C+E)

A full range of made to order sizes available.

Please ask for details.

n = number of sections

Max. working pressure

10 bar

Max. working temperature

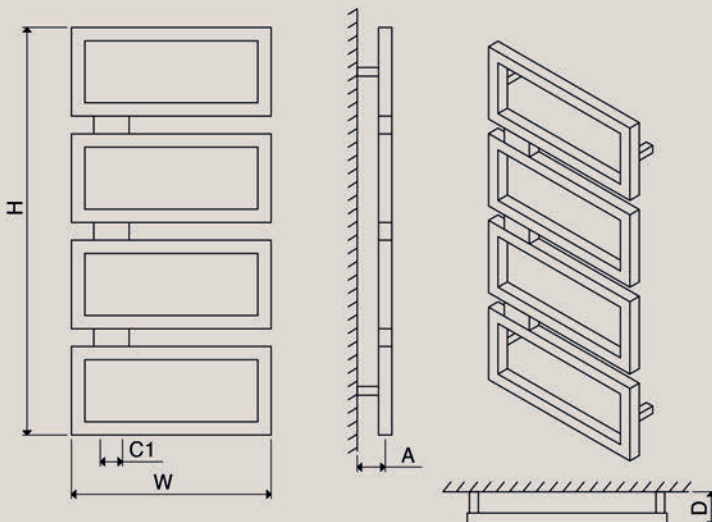
95 °C

Connections

1/2"

Pipe center

C1 50 mm



# TODOR

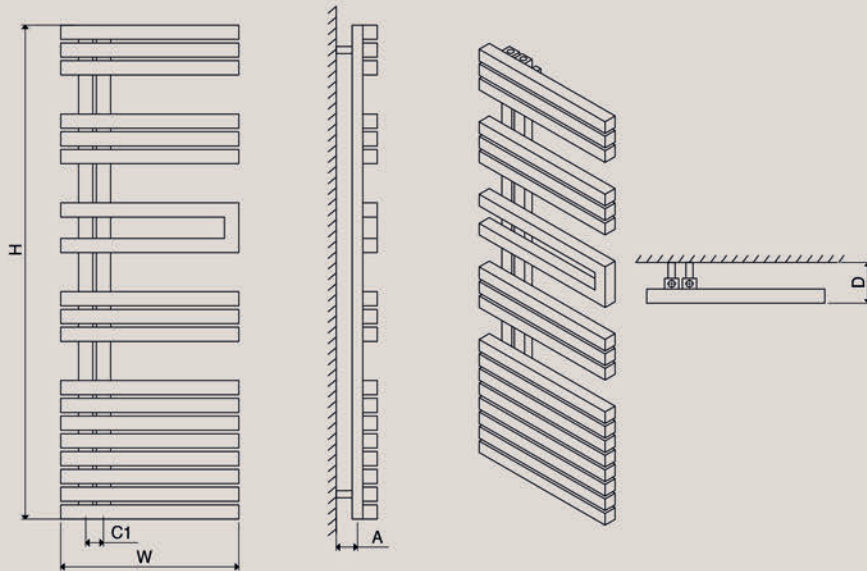
<b>Material</b> Stainless Steel	<b>Stock Finishes</b> PLS SEE COLOUR KEY CHART, PAGE 161	<b>Guarantee</b> 20 Years	<b>Installation</b> Vertical
------------------------------------	--	------------------------------	---------------------------------

PRODUCT CODE	Height (mm) H	Width (mm) W	Sections n	Pipe Centers (mm) C1	Wall to pipe Centers A (mm)	Wall Distance D (mm)	Nett Weight (kg)	Water Content (lt)	Fuel Type	Heat Outputs	
										Watts	BTU
TOD 0500089013	890	500	13	50	60-75	115-130	14.5	7.8	D	1052	3591
TOD 0500114016	1140	500	16	50	60-75	115-130	18.0	9.6	D	1295	4419
TOD 0500139019	1390	500	19	50	60-75	115-130	21.4	11.4	D	1538	5248
TOD 0500159022	1590	500	22	50	60-75	115-130	24.8	13.2	D	1781	6077

Please add finishing code at the end of the product code

Code example : TOD 0500114016 MRP

Fuel type i.e C: Central Heating  
E: Electrical Heating  
D: Dual Heating (C+E)



A full range of made to order sizes available.

Please ask for details.

n = number of sections

Max. working pressure

10 bar

Max. working temperature

95 °C

Connections

1/2"

Pipe center

C1

50 mm

# CASTOR

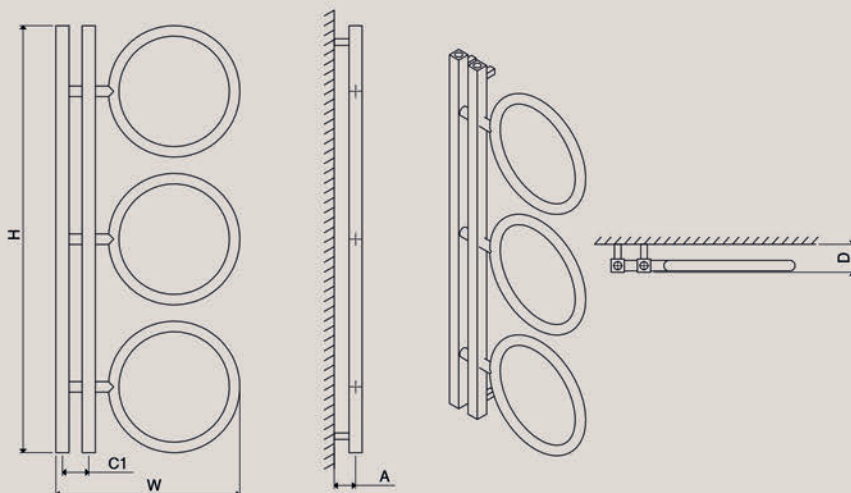
<b>Material</b> Stainless Steel	<b>Stock Finishes</b> PLS SEE COLOUR KEY CHART, PAGE 161	<b>Guarantee</b> 20 Years	<b>Installation</b> Vertical
------------------------------------	--	------------------------------	---------------------------------

PRODUCT CODE	Height (mm) H	Width (mm) W	Sections n	Pipe Centers (mm) C1	Wall to pipe Centers A (mm)	Wall Distance D (mm)	Nett Weight (kg)	Water Content (lt)	Fuel Type	Heat Outputs	
										Watts	BTU
CAS 0560085002	850	560	2	80	60-75	75-90	4.2	2.3	D	411	1403
CAS 0560130003	1300	560	3	80	60-75	75-90	5.2	2.8	D	427	1457
CAS 0560175004	1750	560	4	80	60-75	75-90	6.2	3.2	D	756	2578

Please add finishing code at the end of the product code

Code example : CAS 0560085002 MRP

Fuel type i.e C: Central Heating  
E: Electrical Heating  
D: Dual Heating (C+E)



A full range of made to order sizes available.

Please ask for details.

n = number of sections

Max. working pressure

10 bar

Max. working temperature

95 °C

Connections

1/2"

Pipe center

C1

80 mm

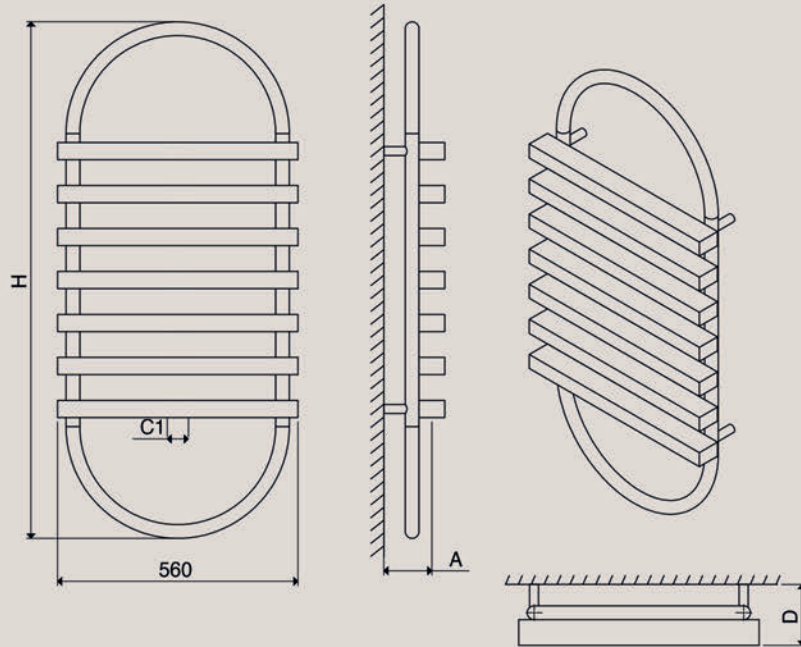
# EXODUS

Material	Stock Finishes	Guarantee	Installation
Stainless Steel	PLS SEE COLOUR KEY CHART, PAGE 161	20 Years	Vertical

PRODUCT CODE	Height (mm) H	Width (mm) W	Sections n	Pipe Centers (mm) C1		Wall to pipe Centers	Wall Distance	Nett Weight (kg)	Water Content (lt)	Fuel Type	Heat Outputs	
				A (mm)	D (mm)	Watts	BTU					
EXD 0560117007	1170	560	7	50		112-127	142-157	7.8	2.9	D	544	1858

Please add finishing code at the end of the product code **Code example : EXD 0560117007 MRP**

Fuel type i.e  
C: Central Heating  
E: Electrical Heating  
D: Dual Heating (C+E)



A full range of made to order sizes available.

Please ask for details.

n = number of sections

Max. working pressure

10 bar

Max. working temperature

95 °C

Connections

1/2"

Pipe center

C1

50 mm

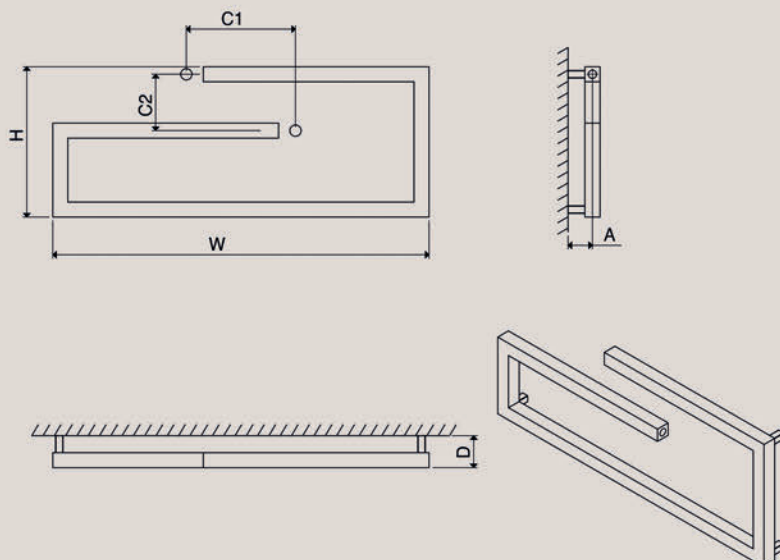
# KLIPS

Material	Stock Finishes	Guarantee	Installation
Stainless Steel	PLS SEE COLOUR KEY CHART, PAGE 161	20 Years	Vertical

PRODUCT CODE	Height (mm) H	Width (mm) W	Sections n	Pipe Centers (mm)		Wall to pipe Centers	Wall Distance	Nett Weight (kg)	Water Content (lt)	Fuel Type	Heat Outputs	
				C1	C2	A (mm)	D (mm)				Watts	BTU
KLP 0400100003	400	1000	3	290	150	65-80	85-105	7.8	2.9	D	365	1246

Please add finishing code at the end of the product code **Code example : EXD 0560117007 STP**

Fuel type i.e  
C: Central Heating  
E: Electrical Heating  
D: Dual Heating (C+E)



A full range of made to order sizes available.

Please ask for details.

n = number of sections

Max. working pressure

10 bar

Max. working temperature

95 °C

Connections

1/2"

Pipe center

C2

150 mm

Pipe center

C1

290 mm



# RUMA

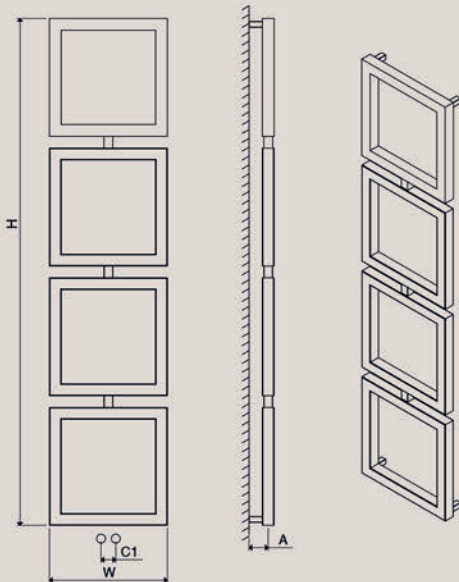
Material	Stock Finishes	Guarantee	Installation
Stainless Steel	PLS SEE COLOUR KEY CHART, PAGE 161	20 Years	Vertical

PRODUCT CODE	Height (mm) H	Width (mm) W	Pipe Centers (mm) C1	Wall to pipe Centers A (mm)	Wall Distance D (mm)	Nett Weight (kg)	Water Content (lt)	Fuel Type	Heat Outputs	
									Watts	BTU
RUM 0400084002	840	400	50	65-85	85-105	10.8	5.1	C	403	1376
RUM 0400128003	1280	400	50	65-85	85-105	15.5	7.7	C	629	2145
RUM 0400172004	1720	400	50	65-85	85-105	15.5	10.2	C	792	2703

Please add finishing code at the end of the product code

Code example : MAN 04701280 MRP

Fuel type i.e., C: Central heating  
E: Electrical heating  
D: Dual heating (C+E)



A full range of made to order sizes available.

Please ask for details.

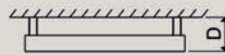
n = number of sections

Max. working pressure 5 bar

Max. working temperature 95 °C

Connections 1/2"

Pipe center C1 50 mm



# DUBLIN

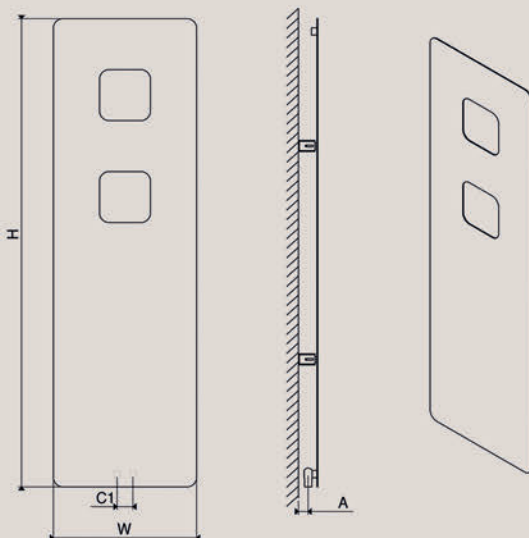
Material	Stock Finishes	Guarantee	Installation
Mild Steel	PLS SEE COLOUR KEY CHART, PAGE 161	5 Years	Vertical

PRODUCT CODE	Height (mm) H	Width (mm) W	Sections n	Pipe Centers (mm) C1	Wall to pipe Centers A (mm)	Wall Distance D (mm)	Nett Weight (kg)	Water Content (lt)	Fuel Type	Heat Outputs	
										Watts	BTU
DUB 04500450	450	450	-	50	31-51	61-81	5.5	0.3	C/E	317	1081
DUB 04501470	1470	450	-	50	31-51	61-81	19.0	1.1	C/E	1097	3741
DUB 04501790	1790	450	-	50	31-51	61-81	22.6	1.3	C/E	1304	4447

Please add finishing code at the end of the product code

Code example : DUB 04500450 TXB

Fuel type i.e., C: Central heating  
E: Electrical heating  
D: Dual heating (C+E)



Max. working pressure 5 bar

Max. working temperature 95 °C

Connections 1/2"

Pipe center C1 50 mm

Please specify C or E with your order.  
D is not available.



# Accessories



**S Type**

Towel holder with 370 x 1800 mm Monza TXB



**L Type**

Towel Holder with 370 x 1800 mm Monza TXW



**R Type**

Towel Holder with 290 x 1790 mm Croydon CHR



**Q Type**

Towel Holder with 290 x 1790 mm Croydon CHR



## X Type

Towel Holder with 370 x 1800 mm Monza D. TXB



## C Type

Towel Holder with 370 x 1800 mm Monza TXB

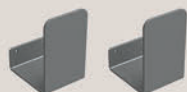
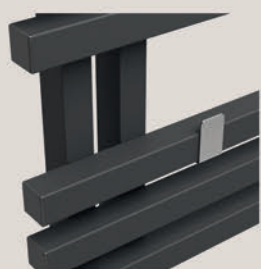


## H Type

Towel Holder with 1040 x 600 mm Monza CHR



# Towel Holders & Towel Knob



**TOWEL KNOB**

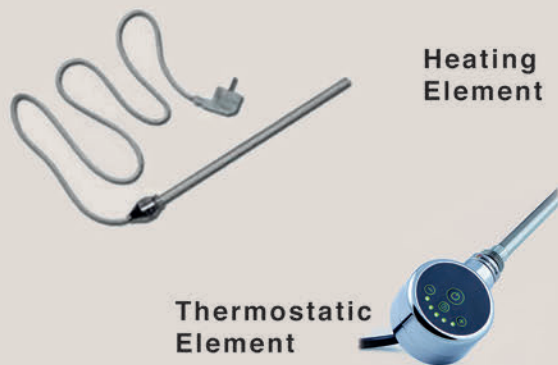
Product Code	Description
THL	Towel Holder L Type
THS	Towel Holder S Type
THX	Towel Holder X Type
THC	Towel Holder C Type
THR	Towel Holder R Type
THQ	Towel Holder Q Type
THH	Towel Holder H Type
THK	Robe Hooks KNOB

## Towel Holder & Towel Knob Finishes

TXW/TXB/TXA/TXG  
TXLG/CHR/TXL/TXC

Please add finishing code at the end of the product code  
**Code example** : THL - TXB

# Heating Element



**Heating Element**

**Thermostatic Element**

Product Code	Description	Finishes
TE12C	1200 W Heating Element	CHR/SLV
TE8C	800 W Heating Element	CHR/SLV
TE6C	600 W Heating Element	CHR/SLV
TE3C	300 W Heating Element	CHR/SLV
HE12C	1200 W Heating Element	CHR/SLV
HE9C	900 W Heating Element	CHR/SLV
HE6C	600 W Heating Element	CHR/SLV
HE3C	300 W Heating Element	CHR/SLV

# Valves



**MINIMALIST**  
chrome straight valve



**MINIMALIST**  
chrome angled valve



**SPERA MINI**  
chrome angled valve



**SPERA MINI**  
chrome straight valve



**SPERA**  
angled valve



Product Code	Description
MINAN	Minimalist Angled Valve
MINST	Minimalist Straight Valve
SPMAN	Spera Mini Angled Valve
SPMAN	Spera Mini Straight Valve
SPRAN	Spera Angled Valve

## Valves Finishes

TXW/TXB/TXA/TXG  
TXLG/TXL/TXC/CHR/SS

Please add finishing code at the end of the product code  
**Code example** : SPRAN - TXB

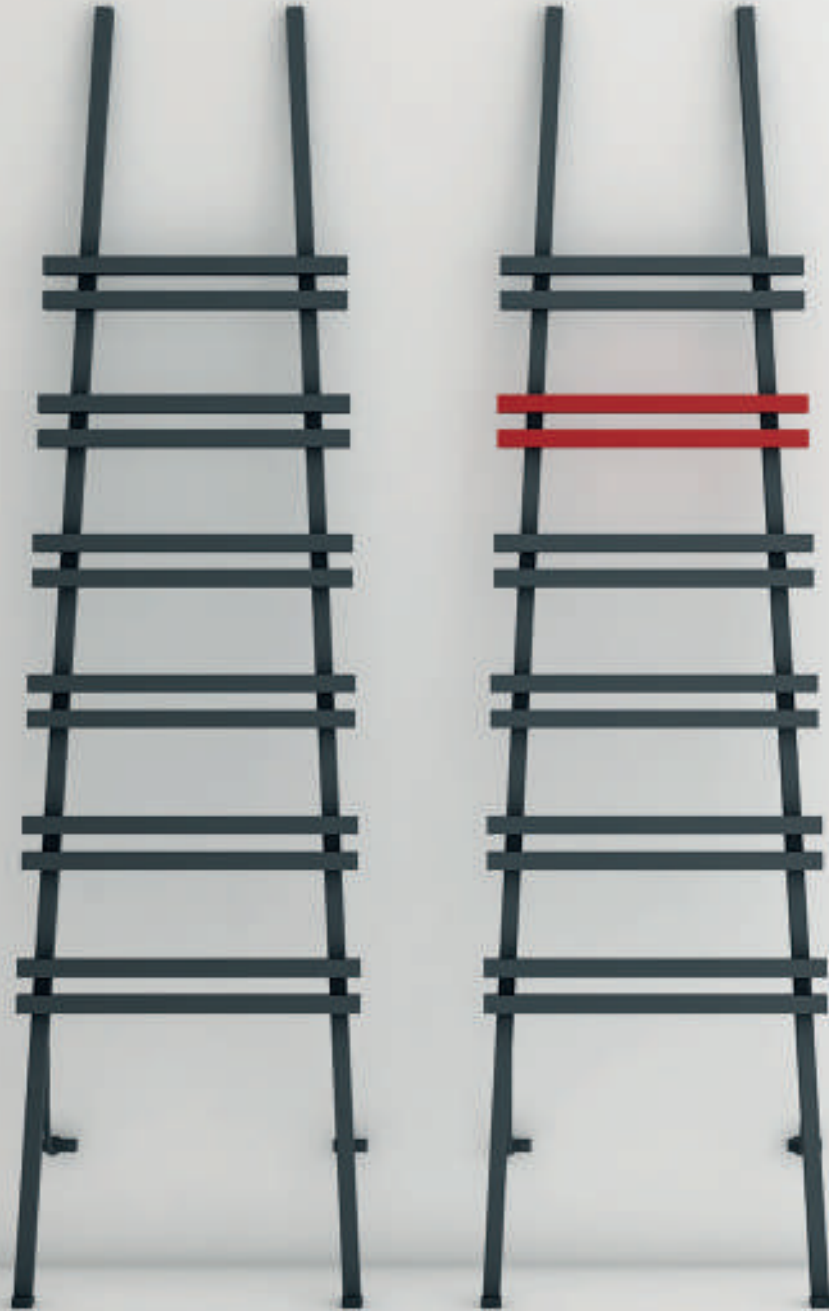


**T-PIECE**  
for DUAL versions



**TRADITIONAL**  
chrome angled valve

Product Code	Description	Finishes
TRAN	Trad. Angled Valve	CHR



### **Carisa - Turkey**

Feneryolu Mahallesi Bağdat Caddesi No:126/A Kadıköy / İstanbul - TÜRKİYE

+90 444 6 586

[www.carisa.com.tr](http://www.carisa.com.tr)

[info@carisa.com.tr](mailto:info@carisa.com.tr)

### **Carisa - Russia**

Syromyatnicheskaya Nijnaya Street 10 Building 7.1st Floor, 1st Section, Office 14/15 Moscow - RUSSIA

+7 (915) 125 10 68

[www.carisa.ru](http://www.carisa.ru)

[info@carisa.ru](mailto:info@carisa.ru)

### **Carisa - United Kingdom**

Unit 5 Meridian Park, Neptune Close, Medway City Estate, Rochester KENT, ME2 4LT UNITED KINGDOM

+44 (0)1634 711577

[www.carisa.co.uk](http://www.carisa.co.uk)

[info@carisa.co.uk](mailto:info@carisa.co.uk)